

AXL SE PSDO4/2 2A - Safety module



1079231

<https://www.phoenixcontact.com/pc/products/1079231>

Please be informed that the data shown in this PDF document is generated from our online catalog. Please find the complete data in the user documentation. Our general terms of use for downloads are valid.



Axoline Smart Elements, Digital output module, Functional safety, PROFIsafe, only for connection to Phoenix Contact or Siemens controller, Safe digital outputs: 2 (2-channel assignment), 4 (1-channel assignment), 24 V DC, 2 A, connection technology: 2-conductor, degree of protection: IP20

Product description

You can integrate Axoline Smart Elements into systems with the Smart Element interface. This Smart Element is a safe output module for use in a PROFIsafe system.

Your advantages

- Up to SIL 3 in accordance with EN 61508
- Up to Cat. 4/PL e in accordance with EN ISO 13849-1, SIL 3 in accordance with EN IEC 62061
- 4 safe outputs for 1-channel assignment
- 2 safe outputs for 2-channel assignment
- 24 V DC, 2 A

Commercial data

Item number	1079231
Packing unit	1 pc
Minimum order quantity	1 pc
Product key	DNA831
GTIN	4055626798073
Weight per piece (including packing)	58.3 g
Weight per piece (excluding packing)	36 g
Customs tariff number	85389091
Country of origin	DE

AXL SE PSDO4/2 2A - Safety module

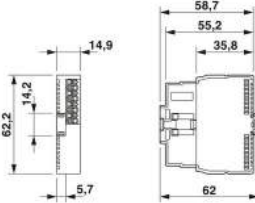


1079231

<https://www.phoenixcontact.com/pc/products/1079231>

Technical data

Dimensions

Dimensional drawing	
Width	14.9 mm
Height	62.2 mm
Depth	62 mm

Interfaces

Smart Element interface

Number of interfaces	1
Connection method	Card edge connector
Transmission speed	See system in which you use the Smart Element.

System properties

Module

Input address area	5 Byte (PROFIsafe 2.6.1)
Output address area	6 Byte (PROFIsafe 2.6.1)
Required configuration data	5 Byte

Output data

Digital

Output name	Safe digital outputs
Output description	EN 61131-2
Connection method	Push-in connection
Connection technology	2-conductor
Number of outputs	2 (2-channel assignment) 4 (1-channel assignment)
Protective circuit	Short-circuit protection, overload protection of the outputs; electronic
Output voltage	24 V DC
Output current	max. 2 A (per output)
Maximum output current per channel	2 A
Maximum output current per module	4 A
Nominal output voltage	24 V DC
Load min.	1.5 kΩ (at nominal voltage)

AXL SE PSDO4/2 2A - Safety module



1079231

<https://www.phoenixcontact.com/pc/products/1079231>

Output voltage when switched off	< 5 V
Output current when switched off	< 2 mA
Nominal load, inductive	48 VA (1 H; 12 Ω; at nominal voltage)
Nominal load, ohmic	48 W (12 Ω, at nominal voltage)
Switching frequency	1 Hz (0.2 Hz at > 1 A)
Reverse voltage resistance to short pulses	no
Behavior with overload	Switch-off of the relevant output, restart upon acknowledgment
Behavior with inductive overload	Output can be destroyed

Product properties

Type	modular
Product type	I/O component
Product family	Axioline Smart Elements
Mounting position	any
Application	Functional safety PROFIsafe only for connection to Phoenix Contact or Siemens controller
Operating mode	PROFIsafe 2.4, PROFIsafe 2.6.1

Insulation characteristics

Overvoltage category	II (IEC 60664-1)
Pollution degree	2 (EN 60664-1)

Electrical properties

Transmission medium	Copper
---------------------	--------

Potentials

Protection	external fusing via the system in which the Smart Element is used
Protective circuit	Surge protection of the supply voltage; electronic (35 V, 0.5 s) Polarity reversal protection of the supply voltage; via the system in which the Smart Element is used

Potentials: Axioline F local bus supply (U_{Bus})

Supply voltage	5 V DC (via bus base module)
Current draw	max. 120 mA (at U_{Bus} 5 V DC) typ. 93 mA (at U_{Bus} 5 V DC)

Potentials: Communications power supply of the Smart Elements (U_{SE})

Supply voltage	using card edge connectors
----------------	----------------------------

Potentials: I/O supply (U_P)

Supply voltage	24 V DC (using card edge connectors)
Supply voltage range	19.2 V DC ... 30 V DC (including all tolerances, including ripple)
Current draw	max. 30 mA ((Supply from U_P with 30 V DC, all outputs set, without supply to the actuators)) typ. 25 mA ((Supply from U_P with 24 V DC, all outputs set, without supply to the actuators))

AXL SE PSDO4/2 2A - Safety module



1079231

<https://www.phoenixcontact.com/pc/products/1079231>

Current consumption	min. 21 mA ((Supply from U_p with 19.2 V DC, all outputs set, without supply to the actuators))
Power consumption	max. 900 mW
	min. 403 mW

Connection data

Connection technology

Connection name	I/O
Note on the connection method	Note the specification in the section Conductor cross sections, and stripping and insertion lengths.

Conductor connection

Connection method	Push-in connection
Conductor cross section rigid	0.25 mm ² ... 1.5 mm ²
Conductor cross section flexible	0.25 mm ² ... 1.5 mm ²
Conductor cross section AWG	24 ... 16
Conductor cross section flexible, with ferrule without plastic sleeve	0.25 mm ² ... 1.5 mm ²
Conductor cross section, flexible, with ferrule, with plastic sleeve	0.25 mm ² ... 1.5 mm ²
Stripping length	8 mm

I/O

Connection method	Push-in connection
Note on the connection method	Note the specification in the section Conductor cross sections, and stripping and insertion lengths.
Conductor cross section, rigid	0.25 mm ² ... 1.5 mm ²
Conductor cross section, flexible	0.25 mm ² ... 1.5 mm ²
Conductor cross section AWG	24 ... 16
Conductor cross section, flexible, with ferrule, with plastic sleeve	0.25 mm ² ... 1.5 mm ²
Conductor cross section flexible, with ferrule without plastic sleeve	0.25 mm ² ... 1.5 mm ²
Stripping length	8 mm

Environmental and real-life conditions

Ambient conditions

Ambient temperature (operation)	-25 °C ... 60 °C
Degree of protection	IP20
Degree of protection at installation location	min. IP54
Air pressure (operation)	70 kPa ... 108 kPa
Air pressure (storage/transport)	66 kPa ... 108 kPa
Ambient temperature (storage/transport)	-40 °C ... 85 °C
Permissible humidity (operation)	5 % ... 95 % (non-condensing)
Permissible humidity (storage/transport)	5 % ... 95 % (non-condensing)

Standards and regulations

Protection class	III (IEC 61140, EN 61140, VDE 0140-1)
------------------	---------------------------------------

AXL SE PSDO4/2 2A - Safety module



1079231

<https://www.phoenixcontact.com/pc/products/1079231>

Air clearances and creepage distances

Air clearances and creepage distances	IEC 60664-1
---------------------------------------	-------------

Mounting

Mounting type	Smart Element slot
Mounting position	any

AXL SE PSDO4/2 2A - Safety module

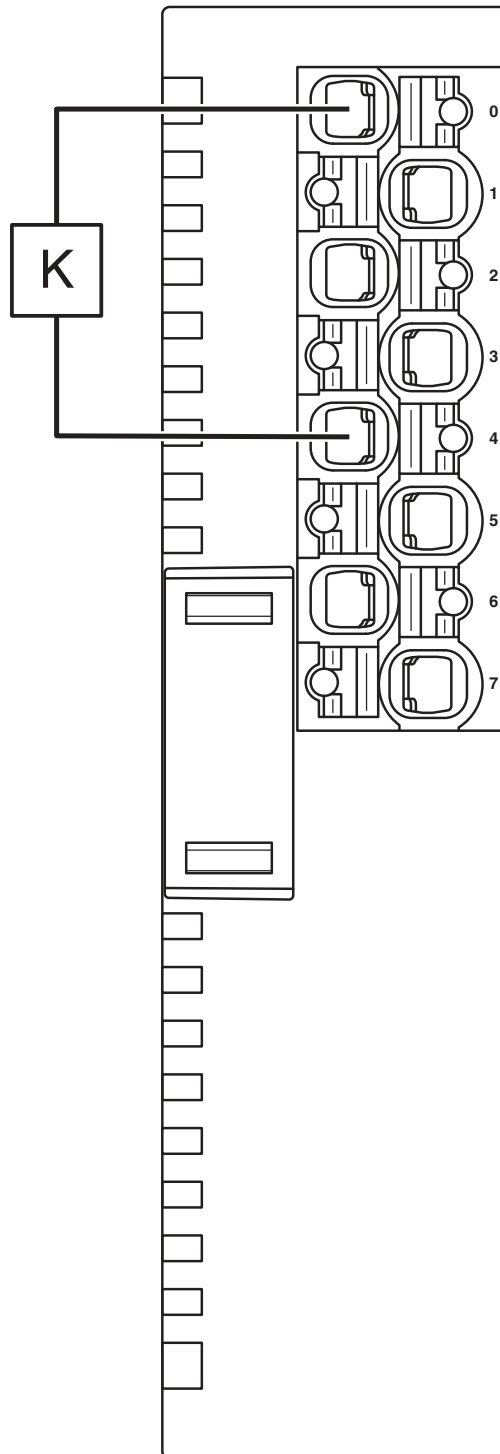
1079231

<https://www.phoenixcontact.com/pc/products/1079231>



Drawings

Connection diagram



Example connection of a contactor

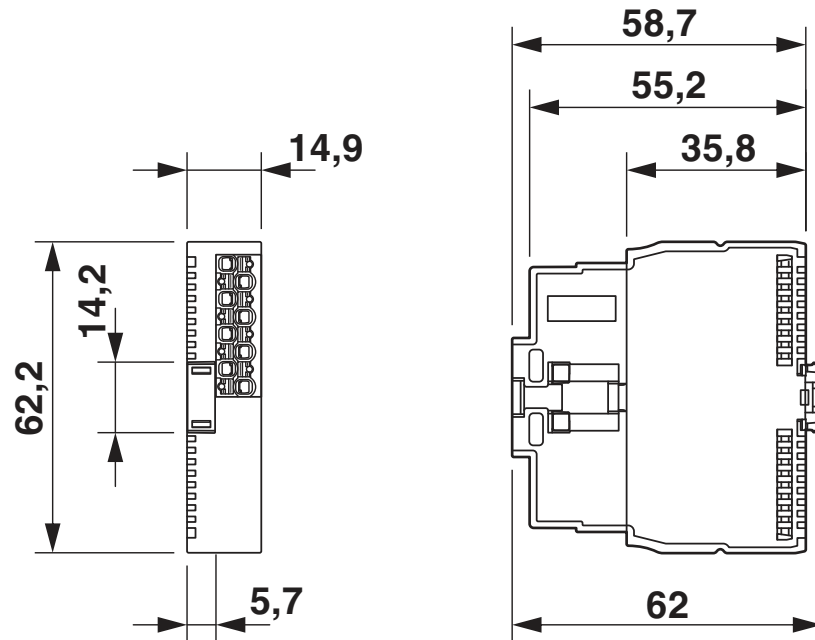
AXL SE PSDO4/2 2A - Safety module

1079231

<https://www.phoenixcontact.com/pc/products/1079231>



Dimensional drawing



Dimensions

AXL SE PSDO4/2 2A - Safety module



1079231

<https://www.phoenixcontact.com/pc/products/1079231>

Approvals

To download certificates, visit the product detail page: <https://www.phoenixcontact.com/pc/products/1079231>



UL Listed

Approval ID: FILE E 238705

PROFIsafe

Approval ID: Z20275



Functional Safety

Approval ID: 968/EZ 650.04/20



Functional Safety

Approval ID: 968/EZ 650.04/20

AXL SE PSDO4/2 2A - Safety module



1079231

<https://www.phoenixcontact.com/pc/products/1079231>

Classifications

ECLASS

ECLASS-11.0	27242604
ECLASS-12.0	27242604
ECLASS-13.0	27242604

ETIM

ETIM 8.0	EC001599
----------	----------

UNSPSC

UNSPSC 21.0	32151600
-------------	----------

AXL SE PSDO4/2 2A - Safety module



1079231

<https://www.phoenixcontact.com/pc/products/1079231>

Environmental product compliance

REACH SVHC	Lead 7439-92-1
China RoHS	Environmentally Friendly Use Period = 50 years
	For information on hazardous substances, refer to the manufacturer's declaration available under "Downloads"

AXL SE PSDO4/2 2A - Safety module



1079231

<https://www.phoenixcontact.com/pc/products/1079231>

Mandatory accessories

AXL F BP SE4 - Module carrier

1088135

<https://www.phoenixcontact.com/pc/products/1088135>

Axioline F, Backplane, 4 slots for Axioline Smart Elements, transmission speed in the local bus: 100 Mbps, degree of protection: IP20



AXL F BP SE6 - Module carrier

1088136

<https://www.phoenixcontact.com/pc/products/1088136>

Axioline F, Backplane, 6 slots for Axioline Smart Elements, transmission speed in the local bus: 100 Mbps, degree of protection: IP20



Accessories

AXL SE PSDO4/2 2A - Safety module

1079231

<https://www.phoenixcontact.com/pc/products/1079231>

SZS 0,4X2,5 VDE - Screwdriver

1205037

<https://www.phoenixcontact.com/pc/products/1205037>



Screwdriver, slot-headed, VDE insulated, size: 0.4 x 2.5 x 80 mm, 2-component grip, with non-slip grip

CRIMPFOX 6 - Crimping pliers

1212034

<https://www.phoenixcontact.com/pc/products/1212034>



Crimping pliers, for ferrules without insulating collar according to DIN 46228 Part 1 and ferrules with insulating collar according to DIN 46228 Part 4, 0.25 mm² ... 6.0 mm², lateral entry, trapezoidal crimp

AXL SE PSDO4/2 2A - Safety module

1079231

<https://www.phoenixcontact.com/pc/products/1079231>

CRIMPFOX DUO 10 - Crimping pliers

1031721

<https://www.phoenixcontact.com/pc/products/1031721>



Crimping pliers, contact connection type: Insulated and uninsulated ferrules, standards/specifications: DIN 46228-1, DIN 46228-4, UL 486F, form A, E, F, min. cross section: 0.14 mm², max. cross section: 10 mm², for TWIN ferrules up to 2 x 4 mm², automatic cross section adjustment, rotating die, lateral and frontal insertion, compression: Trapezoidal crimp, black/green

CRIMPFOX 10T-F - Crimping pliers

1134913

<https://www.phoenixcontact.com/pc/products/1134913>



Crimping pliers, contact connection type: Insulated and uninsulated ferrules, standards/specifications: DIN 46228-1, DIN 46228-4, min. cross section: 0.14 mm², max. cross section: 10 mm², For TWIN ferrules up to 2 x 4 mm², automatic cross section adjustment, frontal insertion, compression: Trapezoidal crimp, black

AXL SE PSDO4/2 2A - Safety module

1079231

<https://www.phoenixcontact.com/pc/products/1079231>



MM-TML (EX4,2)R C1 TR/BK - Label

0803979

<https://www.phoenixcontact.com/pc/products/0803979>



Label, Roll, transparent/black, unlabeled, can be labeled with: THERMOFOX, THERMOMARK GO, THERMOMARK GO.K, mounting type: adhesive, lettering field size: continuous x 3.2 mm

SK 5,0 WH:REEL - Marker strip

0805221

<https://www.phoenixcontact.com/pc/products/0805221>



Marker strip, Roll, white, unlabeled, can be labeled with: THERMOMARK E.300 (D)/600 (D), THERMOMARK ROLL 2.0, THERMOMARK ROLL, THERMOMARK ROLL X1, THERMOMARK ROLLMASTER 300/600, THERMOMARK X1.2, mounting type: adhesive, lettering field size: continuous x 5 mm, Number of individual labels: 90000

AXL SE PSDO4/2 2A - Safety module

1079231

<https://www.phoenixcontact.com/pc/products/1079231>



UM6M-TM (5X12) - Marker for terminal blocks

0830928

<https://www.phoenixcontact.com/pc/products/0830928>



Marker for terminal blocks, Strip, white, unlabeled, can be labeled with: TOPMARK NEO, TOPMARK LASER, BLUEMARK ID COLOR, BLUEMARK ID, BLUEMARK CLED, THERMOMARK PRIME, THERMOMARK CARD 2.0, THERMOMARK CARD, mounting type: snapped, for terminal block width: 5 mm, lettering field size: 5 x 12 mm, Number of individual labels: 24

UCT6M-TM 5 - Marker for terminal blocks

0830756

<https://www.phoenixcontact.com/pc/products/0830756>



Marker for terminal blocks, for marking ABB terminal blocks from the SNK series, Sheet, white, unlabeled, can be labeled with: THERMOMARK CARD, THERMOMARK CARD 2.0, THERMOMARK PRIME, BLUEMARK ID, BLUEMARK ID COLOR, TOPMARK LASER, TOPMARK NEO, mounting type: snapped, for terminal block width: 5.2 mm, lettering field size: 4.17 x 11.3 mm

Phoenix Contact 2023 © - all rights reserved
<https://www.phoenixcontact.com>

PHOENIX CONTACT GmbH & Co. KG
Flachsmarktstraße 8
D-32825 Blomberg
+49 (0) 5235-3 00
info@phoenixcontact.com