

MATERIALS AND FINISHES

BODY: BRASS  
PLATED TRI-M3

CONTACT: PHOSPHOR BRONZE  
PLATED SILVER

OUTER CONDUCTOR: PHOSPHOR BRONZE  
PLATED TRI-M3

SCREW(STUD): STAINLESS STEEL

INSULATOR: TEFLON

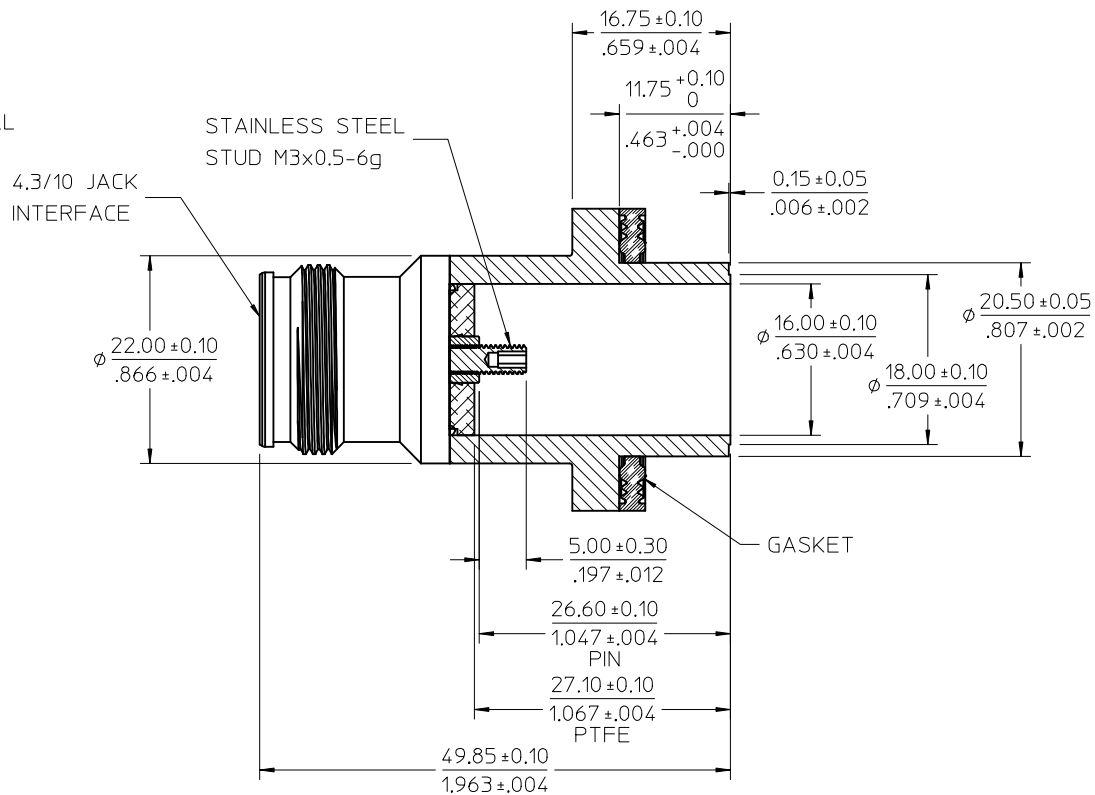
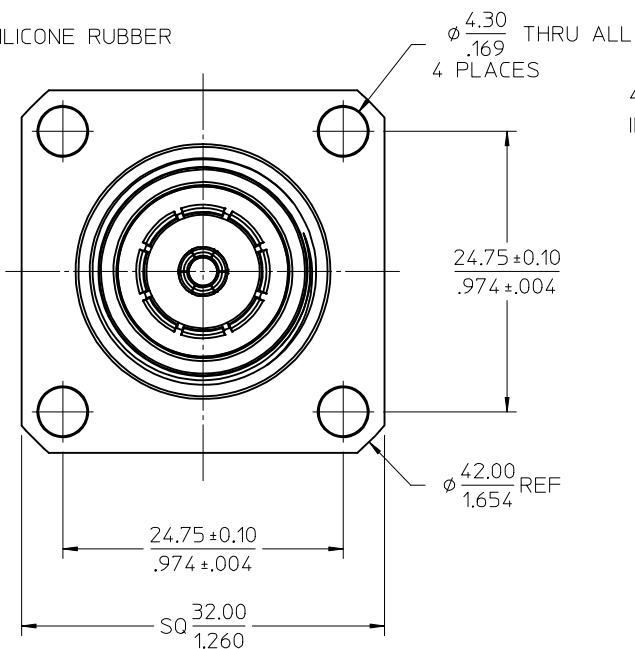
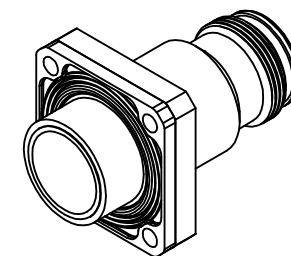
O-RING,GASKET: SILICONE RUBBER

PERFORMANCE REQUIREMENTS:

FREQUENCY RANGE: DC-12GHz  
TEMPERATURE RANGE: -55-+155°C  
IMPEDANCE: 50 OHM  
WITHSTAND VOLTAGE(AC): 3000V @0.5mA  
RETURN LOSS: <-30dB @DC~4GHz;  
<-26dB @4~6GHz  
PIM3(2x20W): <-166dBC @900MHZ AND 1800MHZ  
WATERPROOF(UNMATED): IP68

MATING CYCLES: 500 MIN  
CONTACT CAPTIVATION:  
AXIAL FORCE: >200N  
RADIAL TORQUE: >30Ncm  
COUPLING TORQUE: 5Nm

PACKAGING BY TRAY



PART # 73162-6050

IEC 61169-54	INTERFACE
SPECIFICATION	DESCRIPTION

CHG: NEW RELEASE PER: PDR/J1508/729 EC NO: URF2016-0315 DRWNL: CHEN03 CHKD: MXU11 APPR: MYE08 2015/11/27 2015/12/14 2015/12/17	QUALITY SYMBOLS	GENERAL TOLERANCES (UNLESS SPECIFIED)	DIMENSION STYLE	SCALE	DESIGN UNITS	THIRD ANGLE PROJECTION
	▽=0	mm INCH	MM/IN	METRIC	⊙	
	▽=0	4 PLACES ± --- ± ---	DRAWN BY DATE	TITLE		
	▽=0	3 PLACES ± --- ± ---	CHECKED BY DATE	4.3/10 SQUARE FLANGE FEMALE CONNECTOR		
		2 PLACES ± --- ± ---	MXU11 2015/12/14			
		1 PLACE ± --- ± ---	APPROVED BY DATE			
		0 PLACE ± --- ± ---	MYE08 2015/12/17			
		ANGULAR ± 2 °	MATERIAL NO.	DOCUMENT NO.		
		DRAFT WHERE APPLICABLE MUST REMAIN WITHIN DIMENSIONS	731626050	SD-73162-605		
			SIZE C	THIS DRAWING CONTAINS INFORMATION THAT IS PROPRIETARY TO MOLEX INCORPORATED AND SHOULD NOT BE USED WITHOUT WRITTEN PERMISSION		