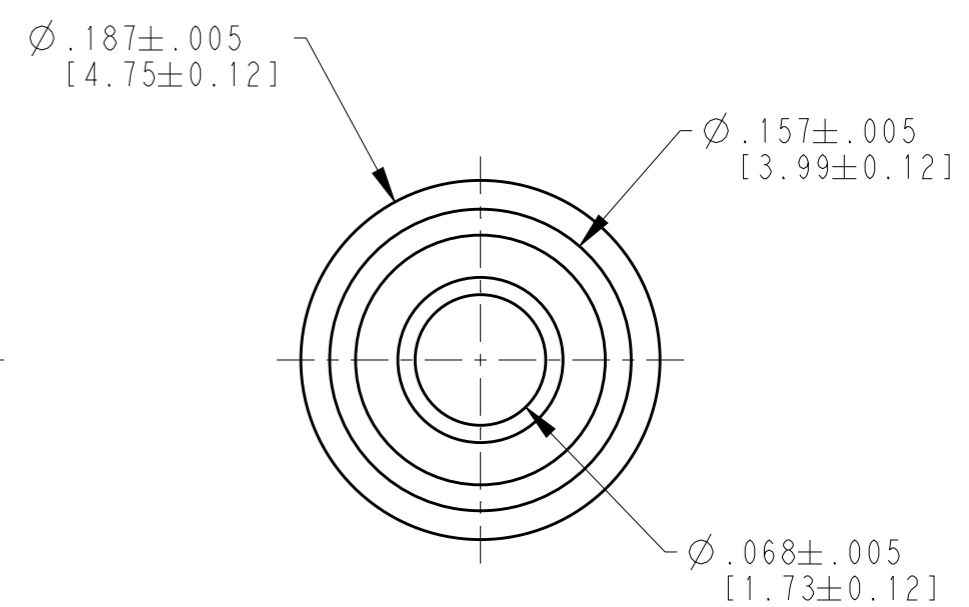
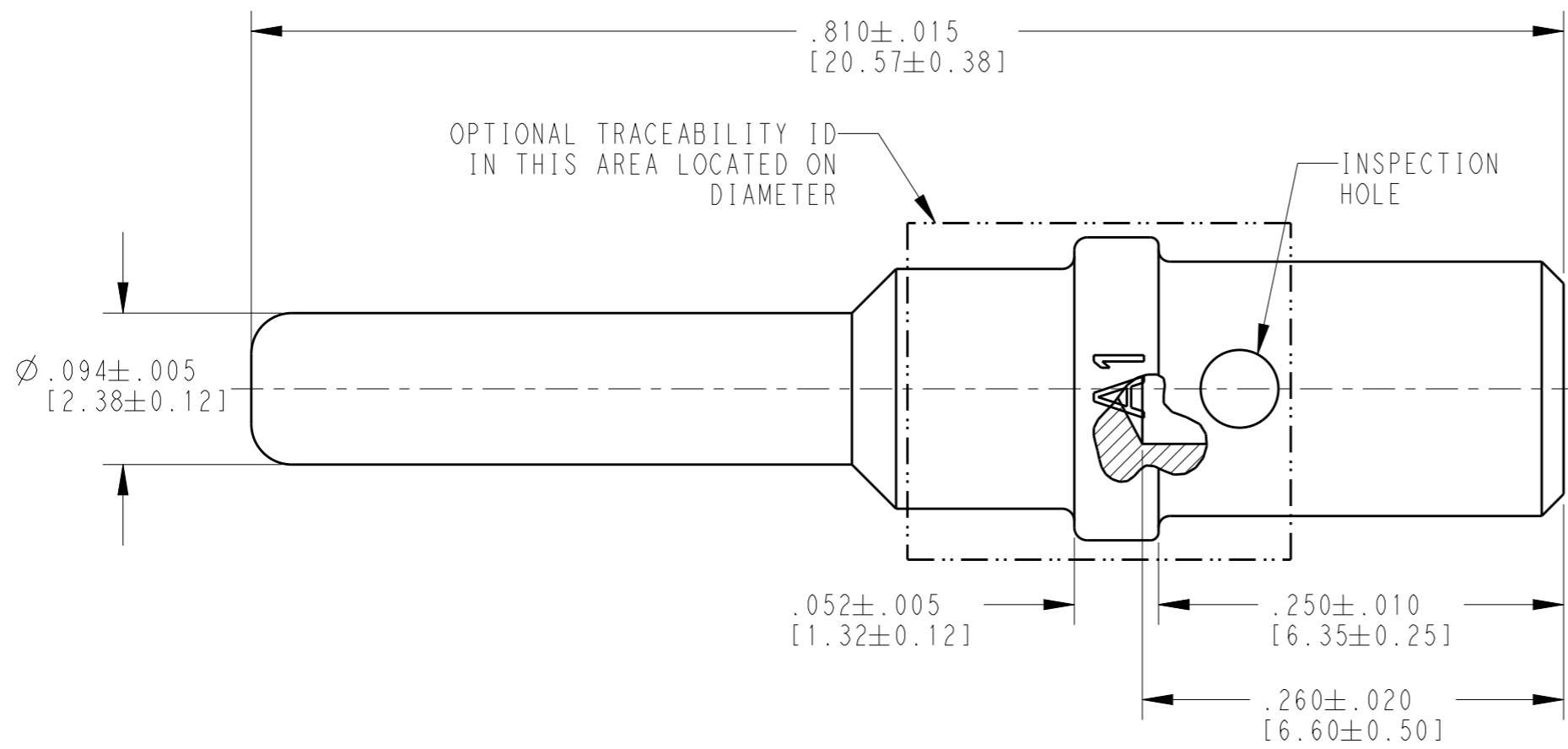


THIS DRAWING IS UNPUBLISHED
 RELEASED FOR PUBLICATION 2018
 © COPYRIGHT 1993 BY TE CONNECTIVITY ALL RIGHTS RESERVED.

REVISIONS					
P	LTR	DESCRIPTION	DATE	DWN	APVD
A		REVISED PER E.O. A13689	29OCT1993	JN	JA
B		REVISED/REDRAWN PER E.O. P19437	18DEC2006	JA	RDR
C		REVISED PER PCN E-18-012207	31JUL2018	JA	DM
C1		REVISED PER PCN E-19-018080	19NOV2019	MK	DM



(C1) 1. SEE APPLICATION SPECIFICATION 114-151004 FOR CRIMP TOOLS AND WIRE RANGE

NOTES: UNLESS OTHERWISE SPECIFIED

TE INTERNAL PN	DEUTSCH PN	PLATING
0460-256-12233	0460-256-12233	GOLD

THIS DRAWING IS A CONTROLLED DOCUMENT.		DWN J. APOSTOL 26OCT2006														
DIMENSIONS: INCHES [mm]		CHK B. BYFORD 15DEC2006														
TOLERANCES UNLESS OTHERWISE SPECIFIED:		APVD R. REED 18DEC2006	NAME CONTACT PIN SIZE 12, REDUCED CRIMP BARRELL													
<table border="0"> <tr><td>0 PLC</td><td>±</td></tr> <tr><td>1 PLC</td><td>±</td></tr> <tr><td>2 PLC</td><td>±</td></tr> <tr><td>3 PLC</td><td>±</td></tr> <tr><td>4 PLC</td><td>±</td></tr> <tr><td>ANGLES</td><td>±</td></tr> </table>		0 PLC	±	1 PLC	±	2 PLC	±	3 PLC	±	4 PLC	±	ANGLES	±	PRODUCT SPEC 108-151004	RESTRICTED TO	
0 PLC	±															
1 PLC	±															
2 PLC	±															
3 PLC	±															
4 PLC	±															
ANGLES	±															
MATERIAL		APPLICATION SPEC 114-151004	SIZE A3	CAGE CODE 4AFU8												
FINISH		WEIGHT 1.48g	DRAWING NO 0460-256-12XX													
		CUSTOMER DRAWING	SCALE 10:1	SHEET 1 OF 1												
			REV C1													