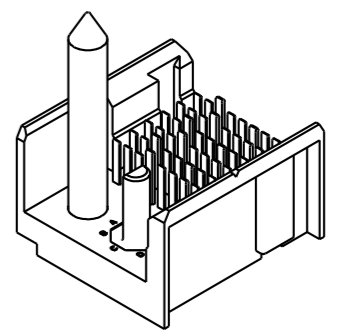
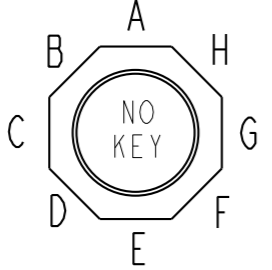
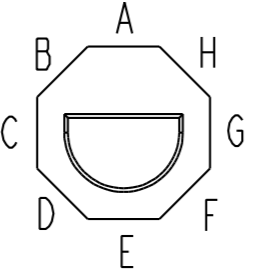
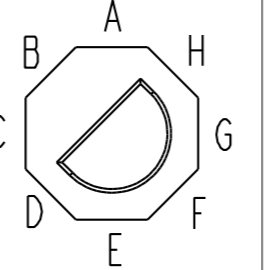
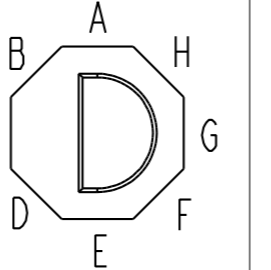
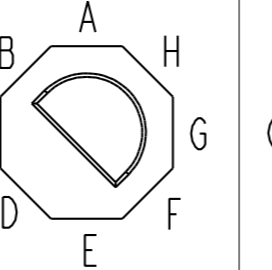
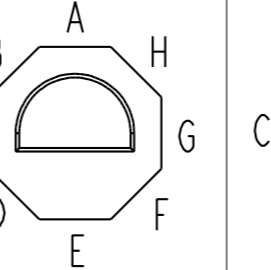
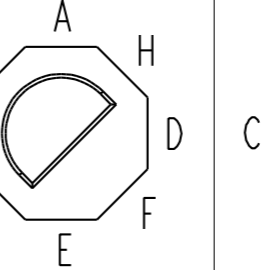
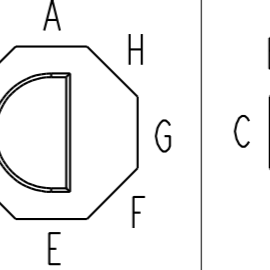
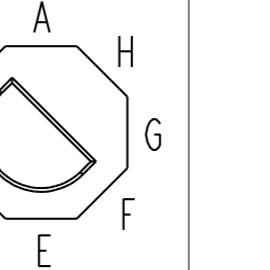
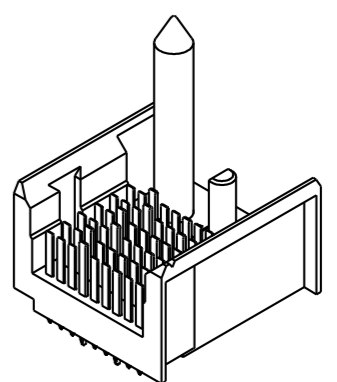
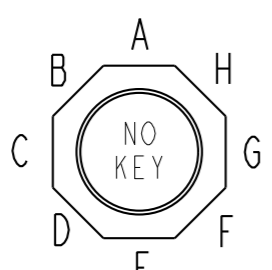
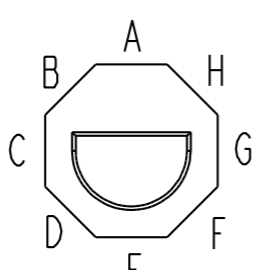
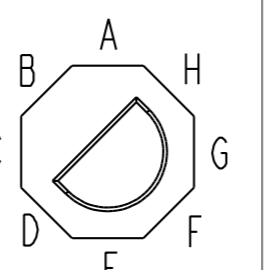
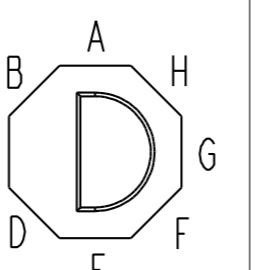
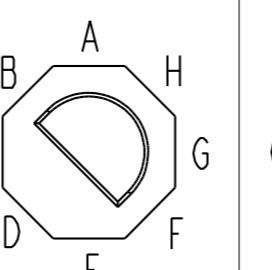
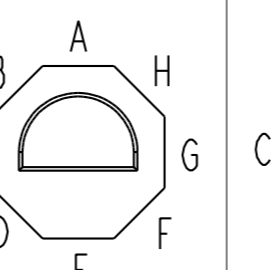
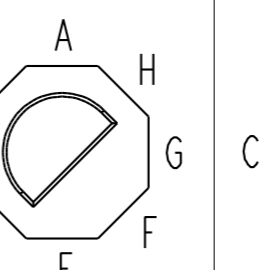
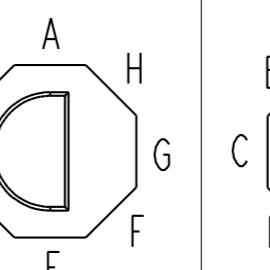
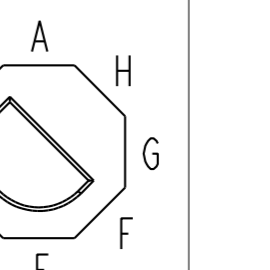


1 0 1 3 5 2 6 0 - 1 0 X L F

LEAD-FREE DESIGNATION
ONLY WITH APPLICABLE
PLATING CODES

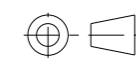
SEE NOTE 2

LETTER DESIGNATION REPRESENTED IN DASH NUMBER

MODULE DESCRIPTION	LETTER DESIGNATION REPRESENTED IN DASH NUMBER										BASE MODULE
RIGHT POLARIZING GUIDANCE MODULE (SEE SHEET 3)	N	J (NO KEY)	A	B	C	D	E	F	G	H	
	NO KEY NO GUIDE PIN										
LEFT POLARIZING GUIDANCE MODULE (SEE SHEET 2)	Z	Y (NO KEY)	P	Q	R	S	T	U	V	W	
	NO KEY NO GUIDE PIN										

Amphenol
FCi

© 2016 AFci

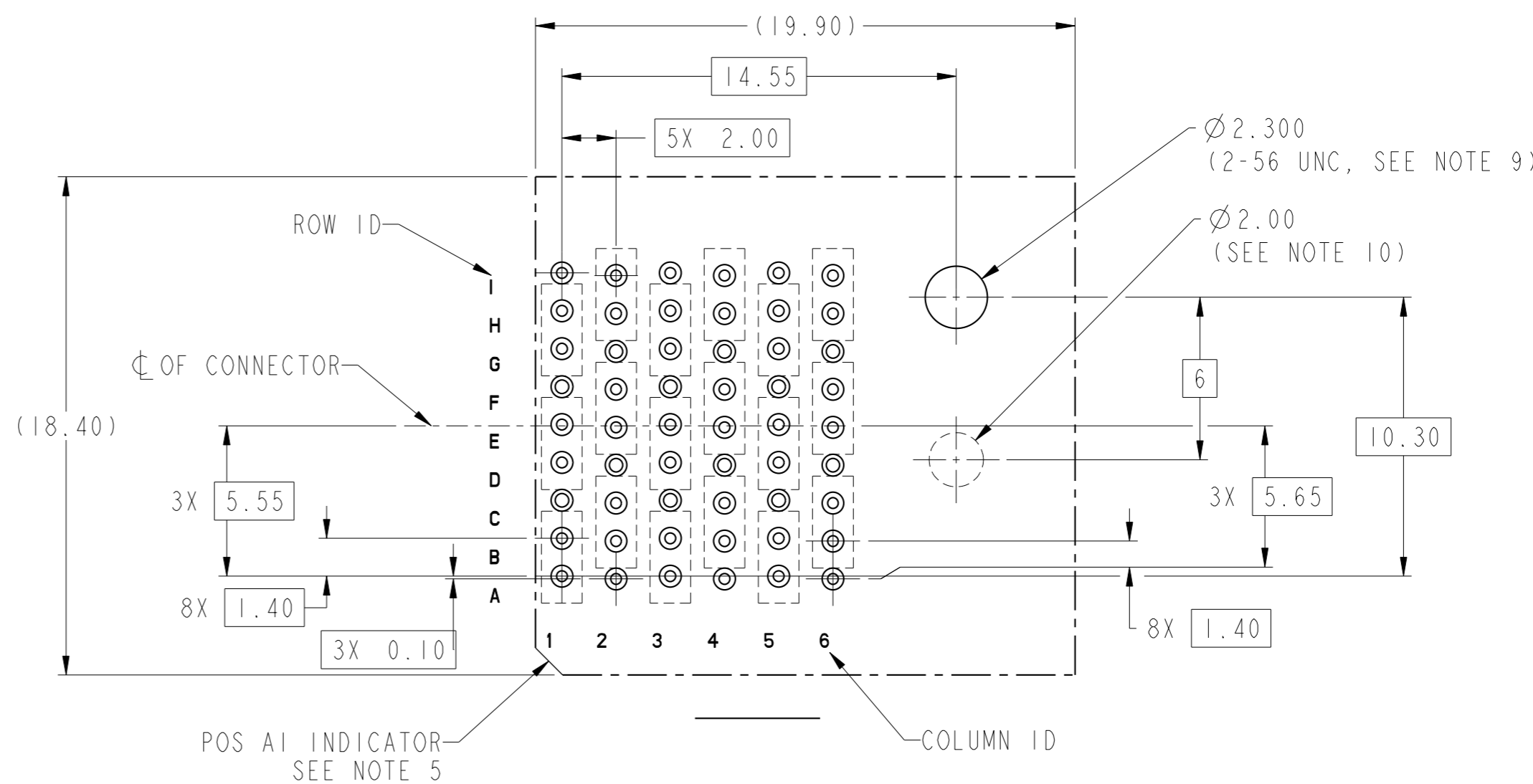
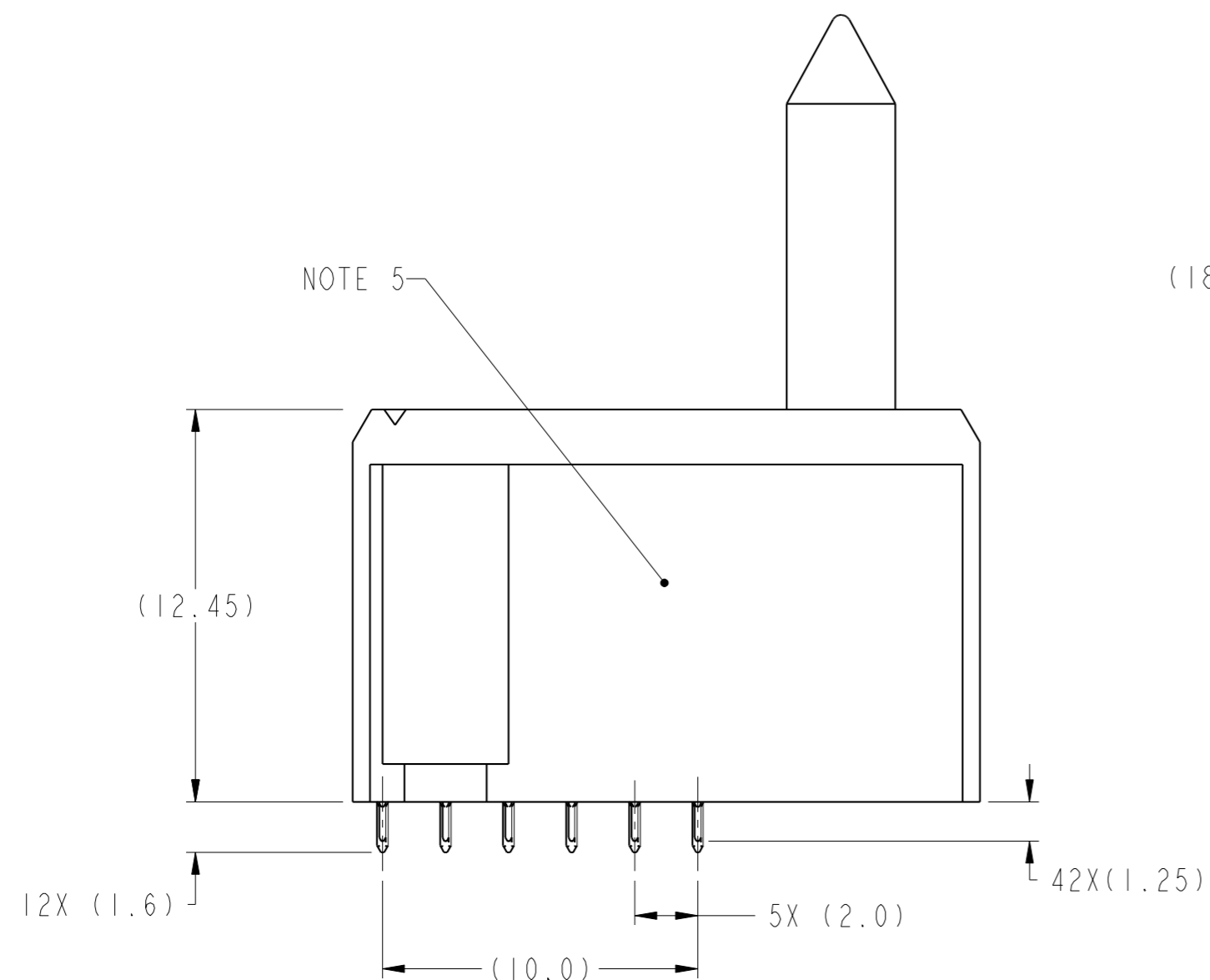
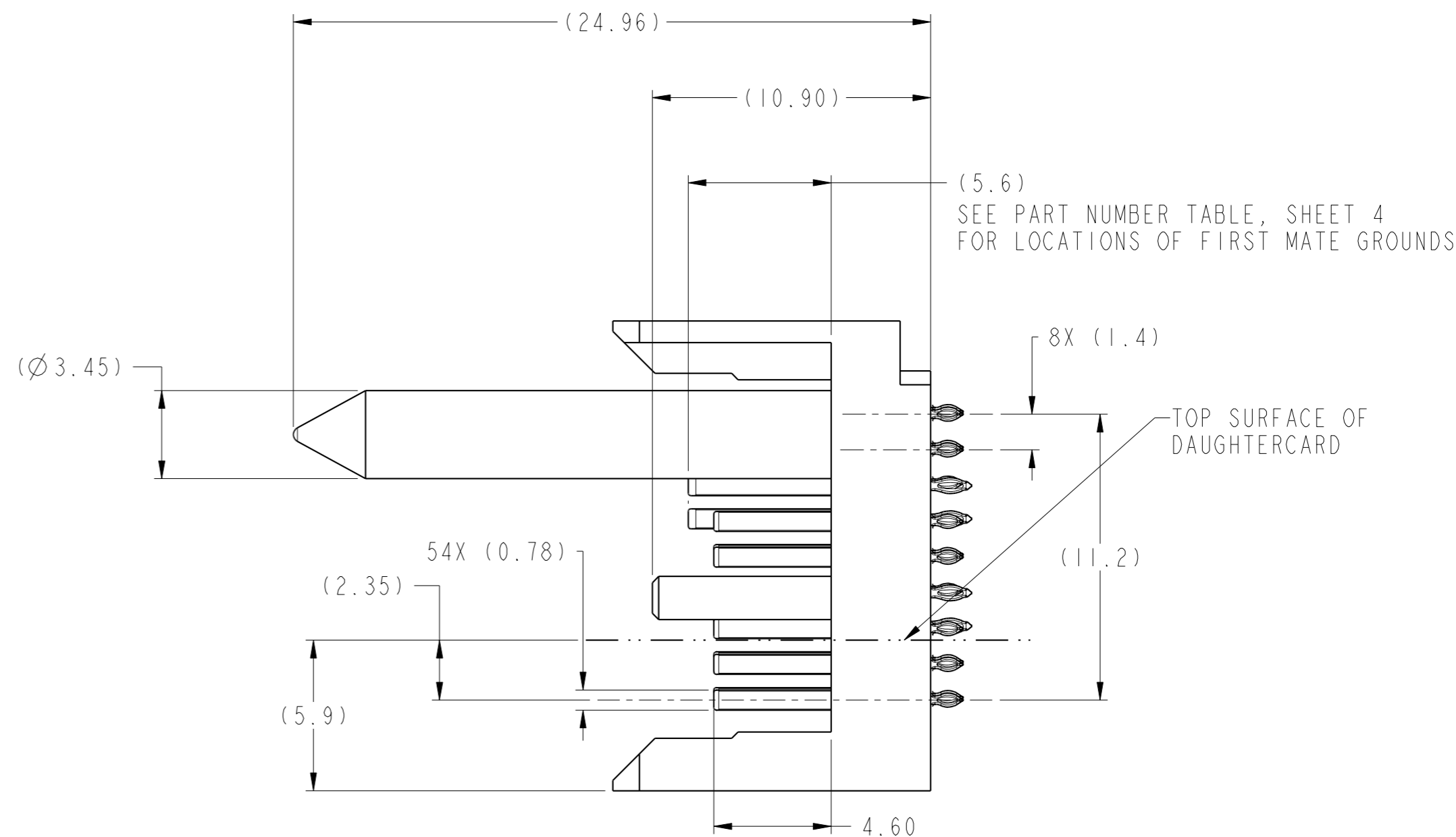
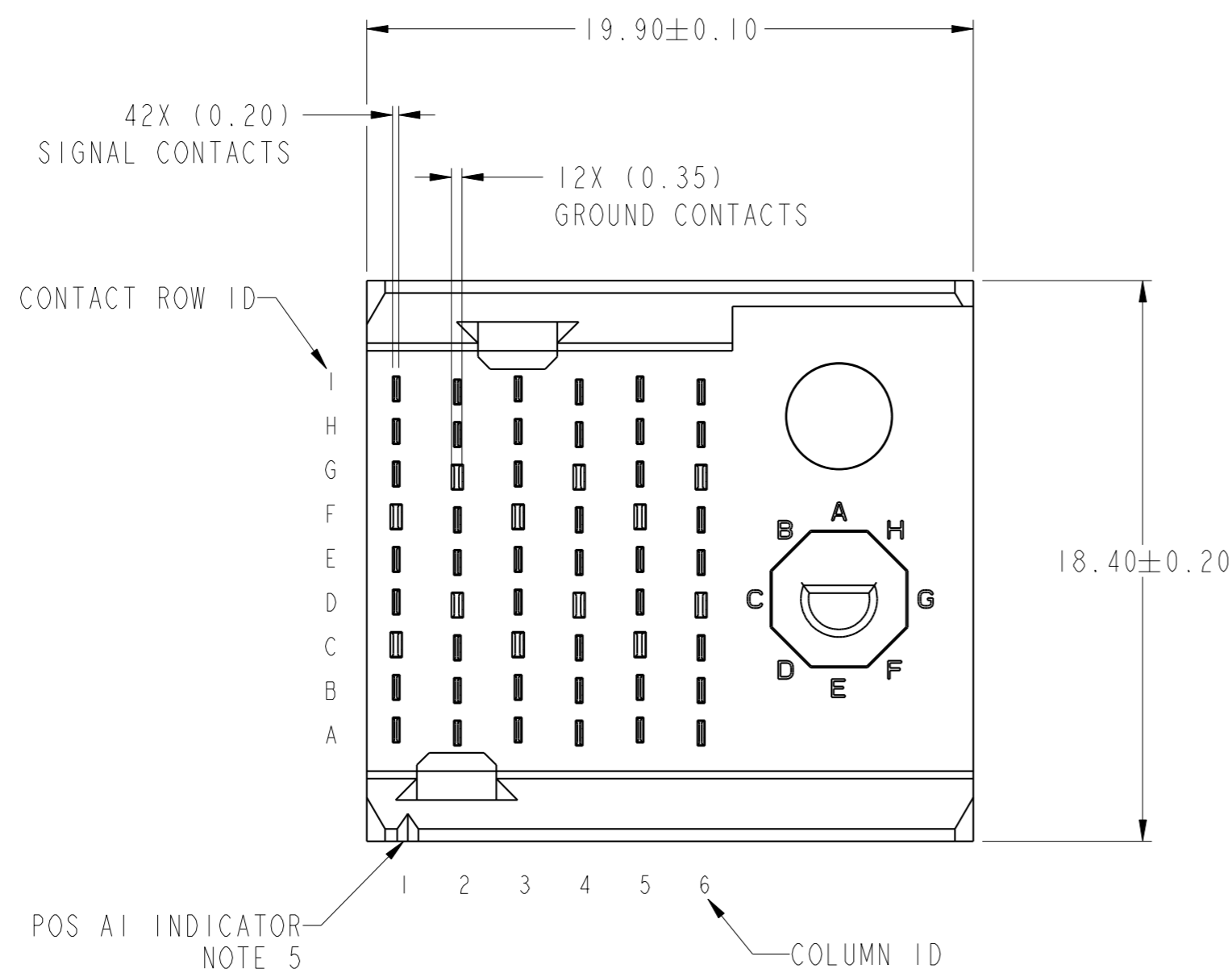
spec ref	-	dr	Jeny Ren	2015/05/15	projection	MM	size	A2	scale	5:1		
tolerance std	ASME Y14.5	eng	Terry Luo	2018/12/04		←	ecn no	ELX-DG-32002-1				
TOLERANCES UNLESS OTHERWISE SPECIFIED		chr	Stone Li	2018/12/04			product family	AIRMAX VS2	rel level	Released		
surface	linear	appr	Heaven Cen	2018/12/04			AIRMAX VSe VERTICAL HEADER		cat. no.	10135260	rev	B
ASME Y14.5	angular				PRESS-FIT, 3-PAIR, 54 POS, W/G		Product - Customer Draw		sheet 1 of 4			

PDS: Rev :B

STATUS:Released

Printed: Dec 04, 2018

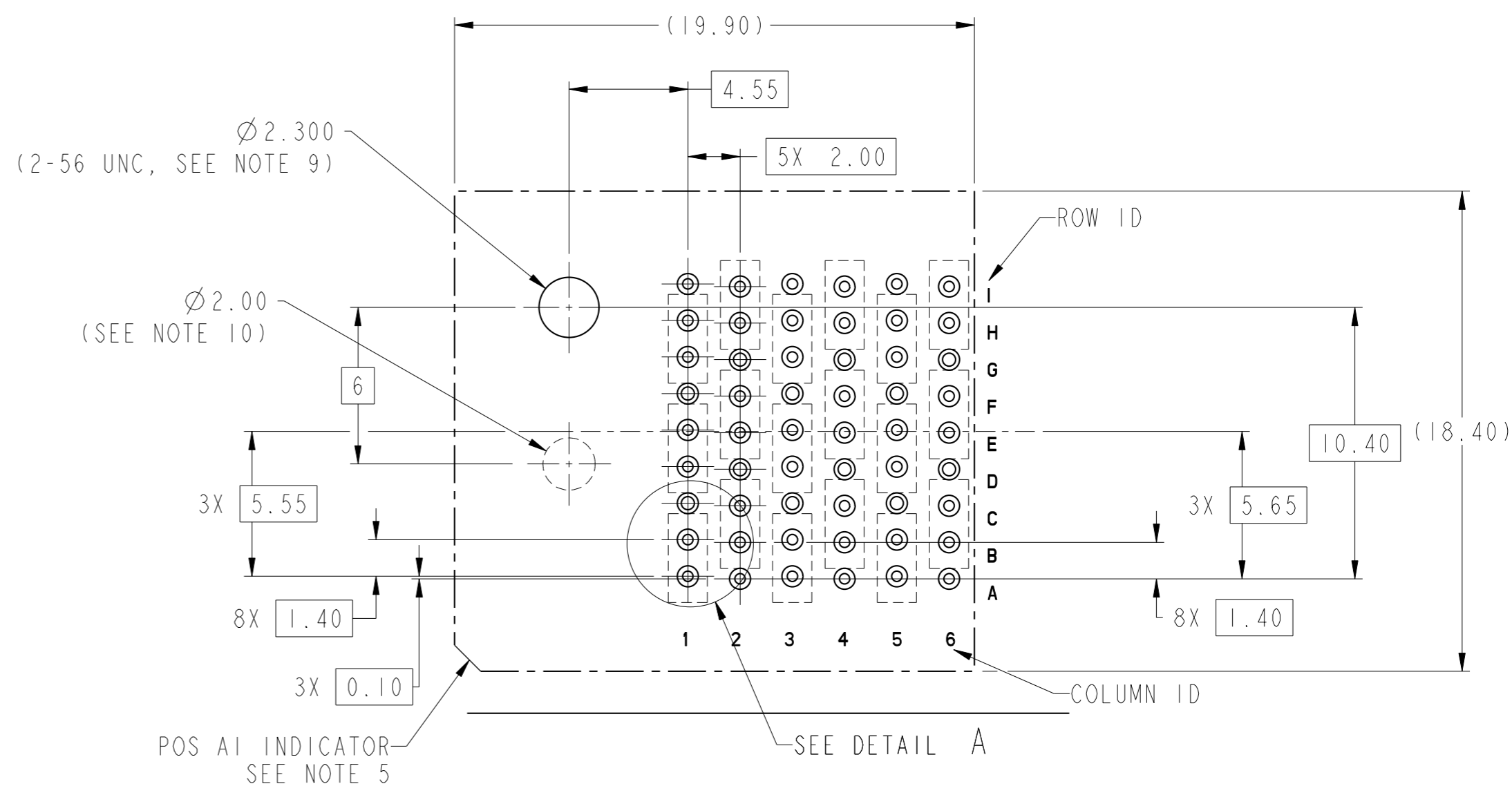
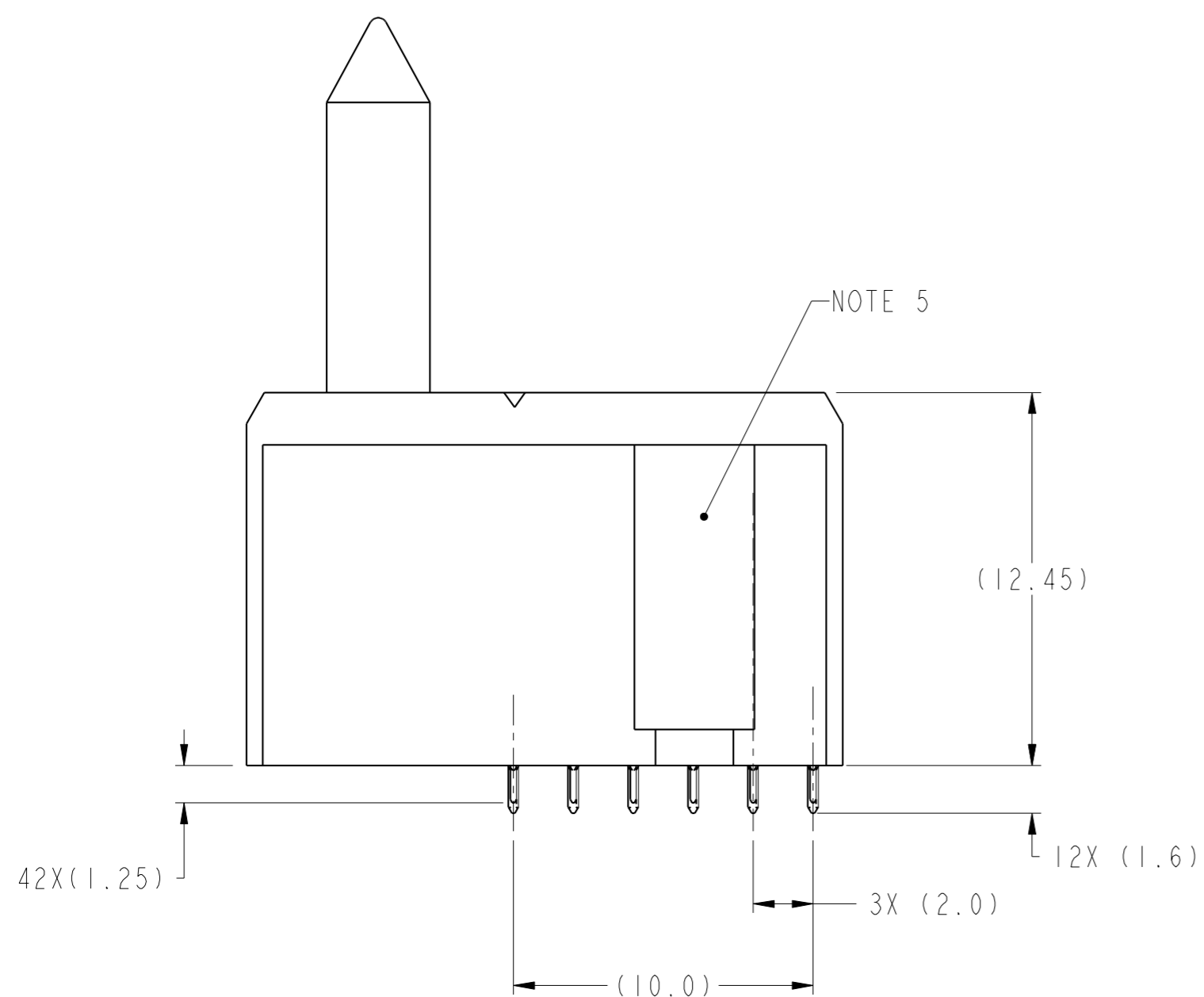
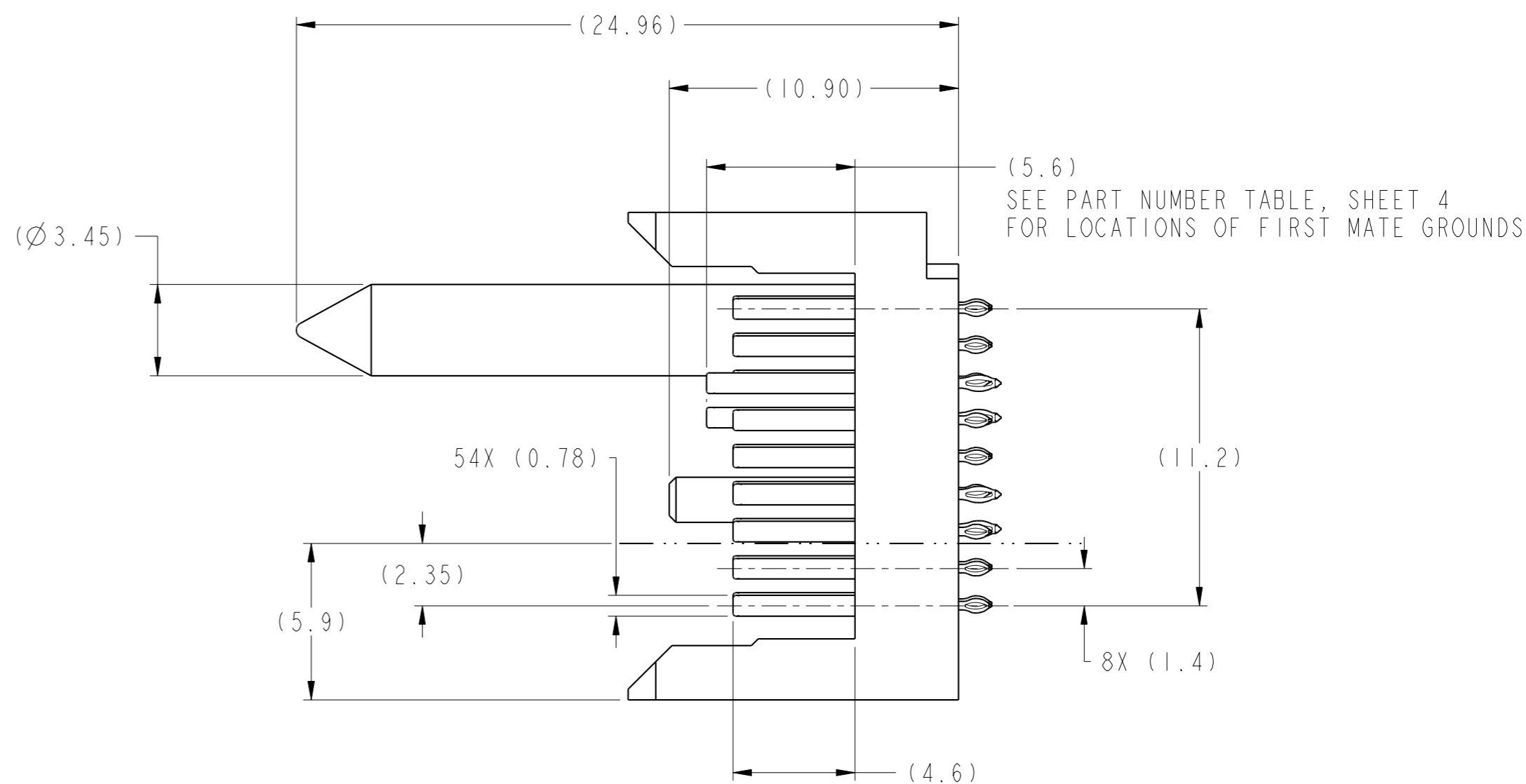
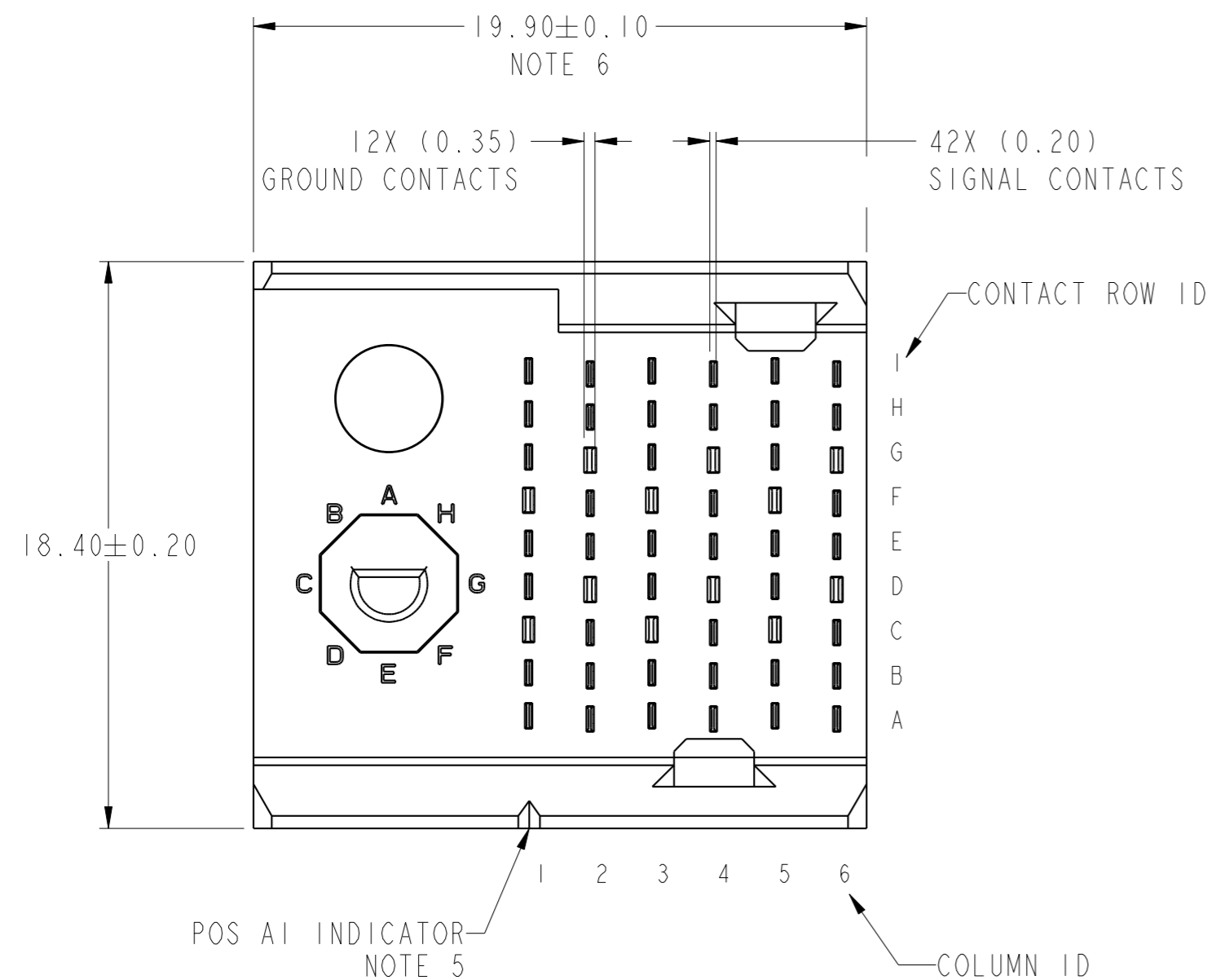
LEFT POLARIZING WITH GUIDE



RECOMMENDED PCB DETAILS
SCALE 5:1

spec ref	-	dr	Jeny Ren	2015/05/15	projection	MM	size	A2	scale	5:1		
tolerance std	ASME Y14.5	eng	Terry Luo	2018/12/04			ecn no	ELX-DG-32002-1	rel level Released	rev B		
TOLERANCES UNLESS OTHERWISE SPECIFIED		chr	Stone Li	2018/12/04			product family	AIRMAX VS2			cat. no.	10135260
surface	linear	0.X	±0.3	0.XX			±0.15	0.XXX			±0.050	Product - Customer Drw
	angular	0°	±2°									

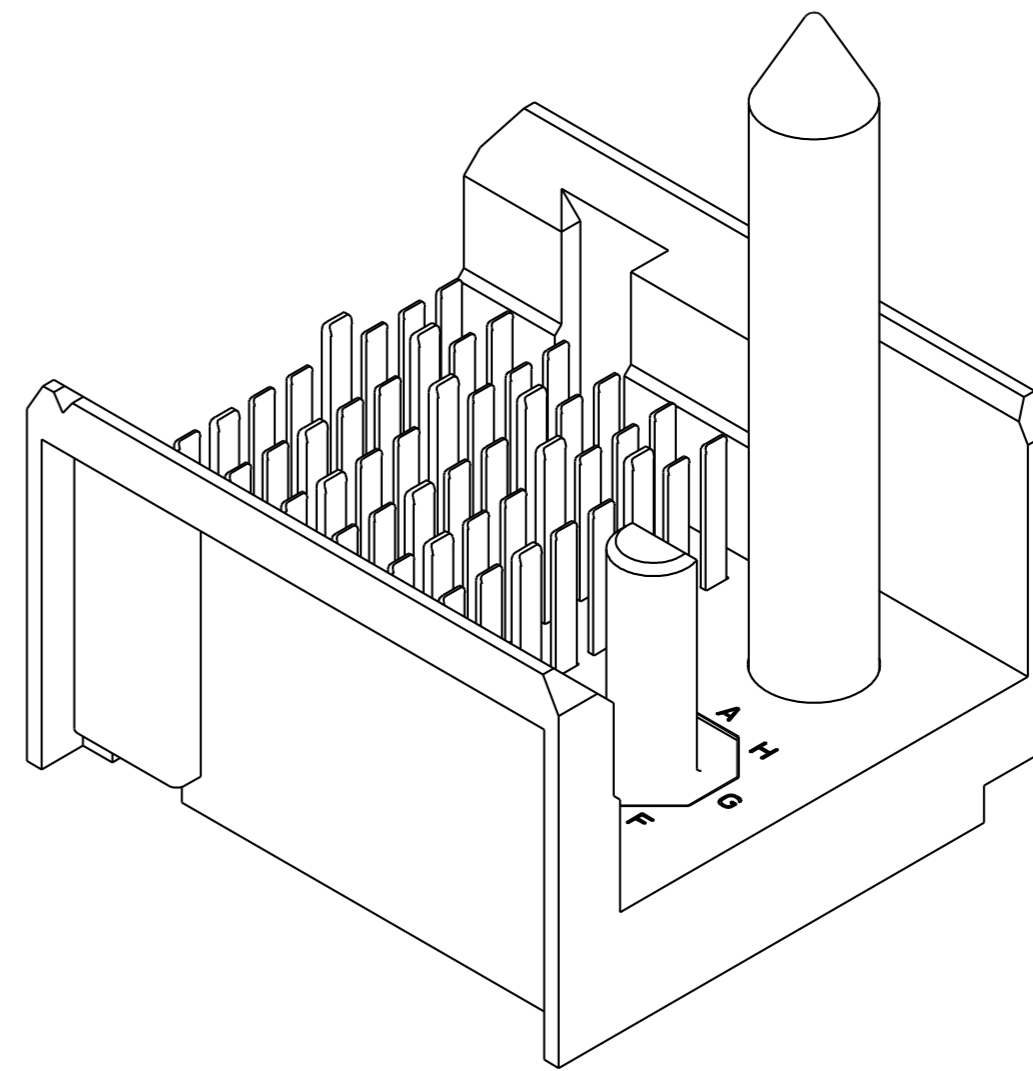
RIGHT POLARIZING WITH GUIDE



RECOMMENDED PCB DETAILS
SCALE 5:1

spec ref	-	dr	Jeny Ren	201505/15	projection	MM	size	A2	scale	5:1
tolerance std	ASME Y14.5	eng	Terry Luo	2018/12/04		MM	ecn no	ELX-DG-32002-1	rel level	Released
TOLERANCES UNLESS OTHERWISE SPECIFIED		chr	Stone Li	2018/12/04						
surface	-	appr	Heaven Cen	2018/12/04	product family	AIRMAX VS2	part no	10135260	rev	B
ASME Y14.5	linear	0.X	±0.3		AIRMAX VSe VERTICAL HEADER		cat. no.	Product - Customer Drw	sheet 3 of 4	
		0.XX	±0.15		PRESS-FIT, 3-PAIR, 54 POS, W/G					
	angular	0°	±2°							

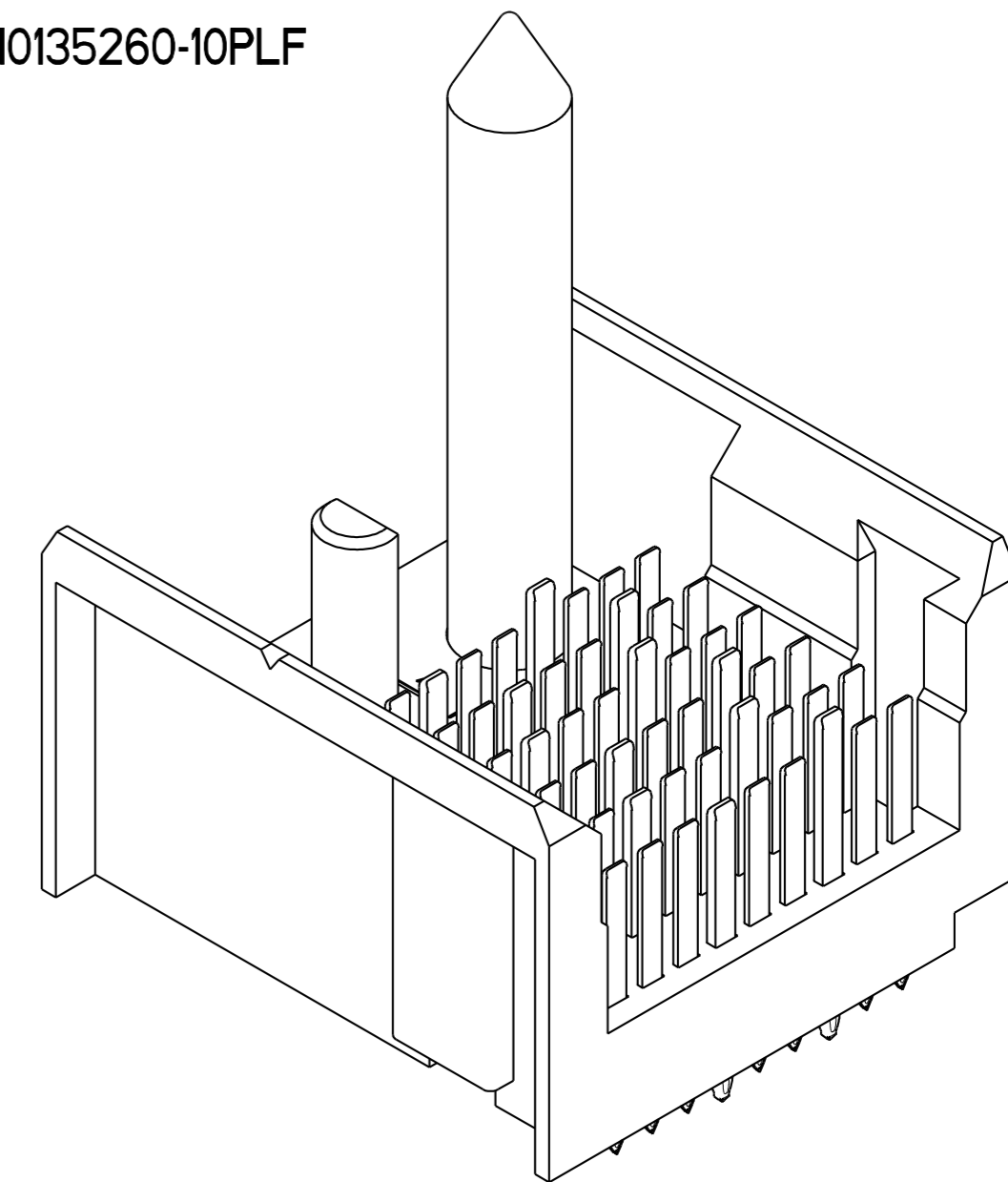
PART NUMBER	PRESS-FIT TAIL PLATING TYPE	FIRST MATE PIN LOCATIONS
10135260-10*LF	TIN OVER NICKEL (LEAD FREE)	F1, F3, F5 G2, G4, G6



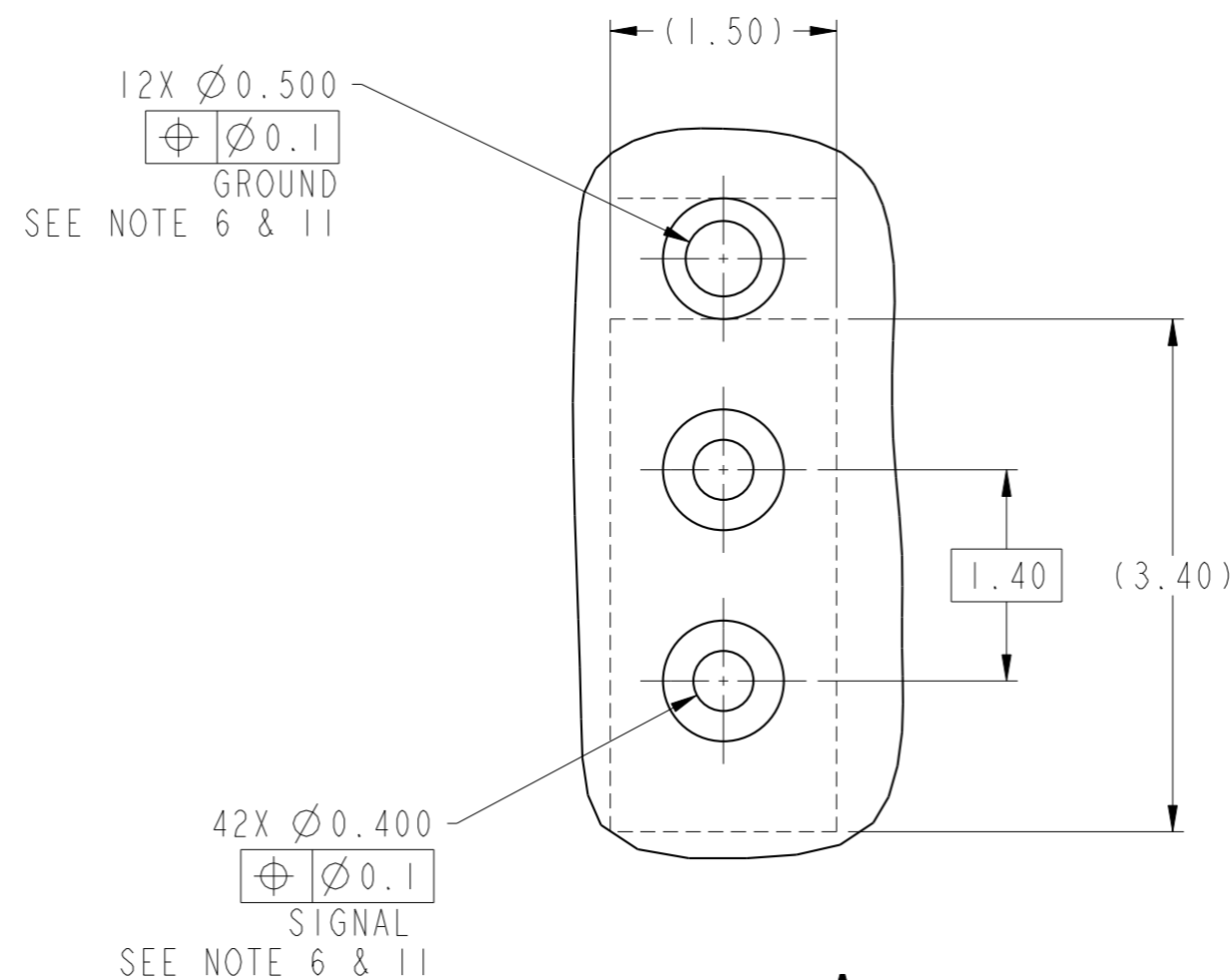
10135260-10PLF

NOTES:

1. CONNECTOR MATERIALS:
HOUSING: HIGH TEMP THERMOPLASTIC, BLACK, UL94V-0
CONTACT: COPPER ALLOY
2. CONTACT PLATING:
SEPARABLE INTERFACE: PERFORMANCE-BASED PLATING, QUALIFIED TO MEET THE REQUIREMENTS OF FCI PRODUCT SPECIFICATION GS-12-0956 INCLUDING TELCORDIA GR-1217-CORE (NOVEMBER 1995) CENTRAL OFFICE TEST SEQUENCE
PRESS-FIT TAILS: SEE TABLE
3. PRODUCT SPECIFICATION: GS-12-239.
4. APPLICATION SPECIFICATION: GS-20-035.
5. CONNECTOR OUTLINE WITH HOUSING POS AI INDICATOR MAY BE SCREEN PRINTED ONTO CUSTOMER PCB TO BE USED AS A GUIDE FOR MANUAL CONNECTOR PLACEMENT.
6. REFER TO CUSTOMER DRAWING 10104444 FOR INFORMATION ON PCB HOLE DIAMETERS AND PLATING OPTIONS.
7. THIS PRODUCT MEETS EUROPEAN UNION DIRECTIVES AND OTHER COUNTRY REGULATIONS AS DESCRIBED IN GS-22-008.
8. PACKAGING MEETS GS-14-920 LEAD FREE LABELING SPECIFICATION.
9. THE SCREW THREAD ON THE CONNECTOR IS 2-56 UNC -2B TAP 8.60 MM, #50 DRILL (1.778) TAP 8.80 MM.
10. NO CIRCUIT IN THIS AREA SURFACE.
11. GROUND VIAS IN POSITIONS C, F FOR ODD COLUMNS AND POSITIONS D, G FOR EVEN COLUMNS REQUIRE (Ø0.50) FINISHED HOLES. ALL OTHER VIAS REQUIRE (Ø0.40) FINISHED HOLES.



10135260-10ALF



spec ref	-	dr	Jeny Ren	2015/05/15	projection	MM	size	A2	scale	5:1
tolerance std	ASME Y14.5	eng	Terry Luo	2018/12/04			ecn no	ELX-DG-32002-1	rel level Released	
TOLERANCES UNLESS OTHERWISE SPECIFIED		chr	Stone Li	2018/12/04			product family	AIRMAX VS2		
surface	-	appr	Heaven Cen	2018/12/04			title	AIRMAX VSe VERTICAL HEADER		cat. no.
linear	0.X ±0.3 0.XX ±0.15 0.XXX ±0.050	angular	0° ±2°			PRES-FIT, 3-PAIR, 54 POS, W/G 10135260 B				