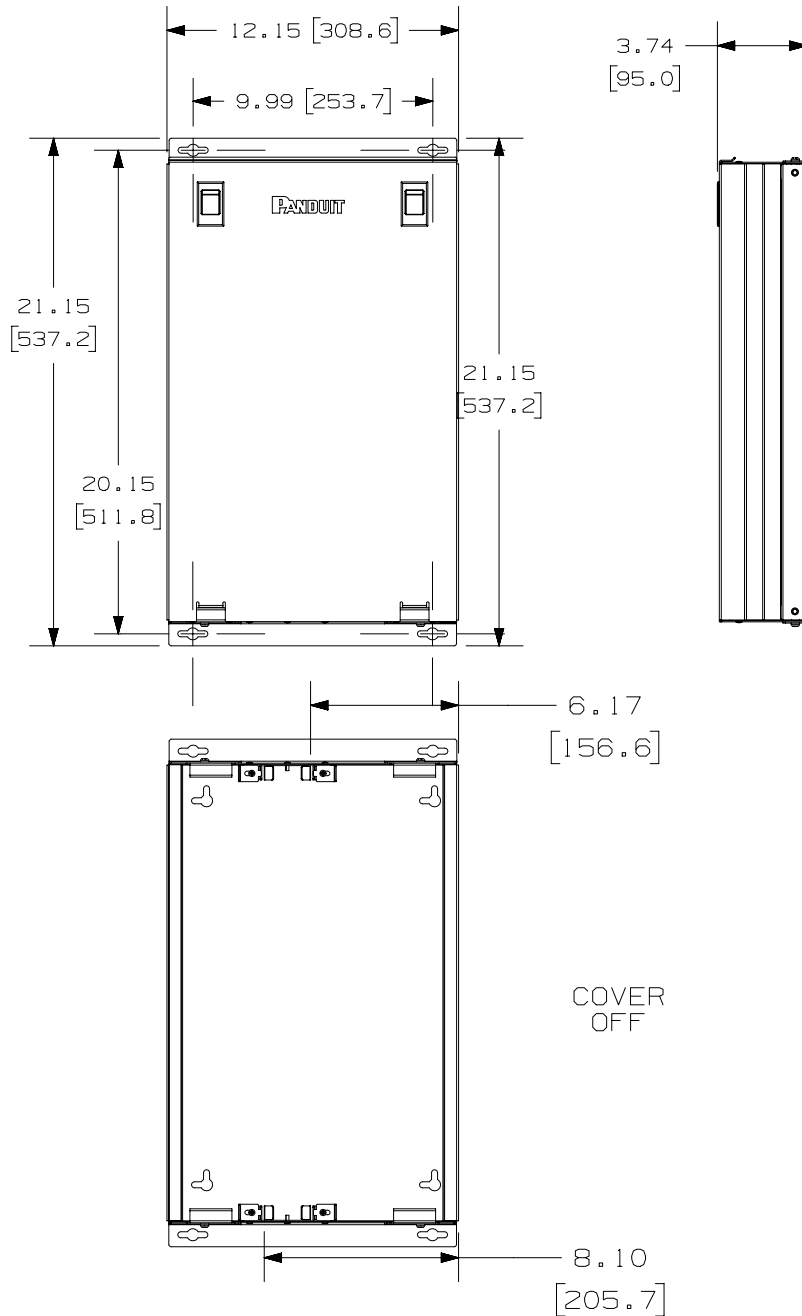
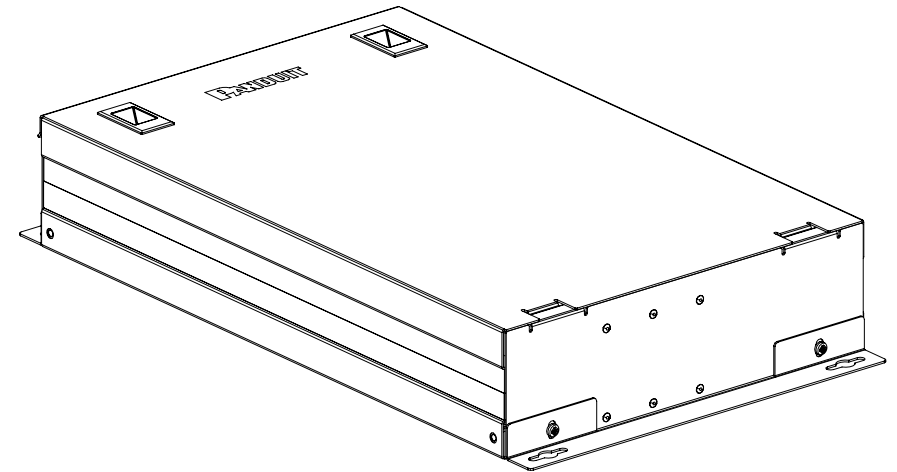


THIS COPY IS PROVIDED ON A RESTRICTED BASIS AND IS NOT TO BE USED IN ANY WAY DETRIMENTAL TO THE INTERESTS OF PANDUIT CORP.



NOTES:

1. VISIT OUR ON-LINE CATALOG AT WWW.PANDUIT.COM FOR A LIST OF CURRENT PARTS APPLICABLE FOR USE WITH THIS PRODUCT.
2. DIMENSIONS IN [] ARE METRIC.
3. ALL MATERIALS AND COMPONENTS USED MEET THE MATERIAL RESTRICTIONS OF RoHS (EUROPEAN DIRECTIVE 2011/65/EU ON THE RESTRICTION OF HAZARDOUS SUBSTANCES) AS PROPOSED BY THE RoHS TECHNICAL ADAPTATION COMMITTEE.
4. WEIGHT: 12 lbs [5443 g]
5. PART INCLUDES: BASE, BRACKET, COVER, EXTERNAL MOUNTING BRACKETS (2), SCREWS (4)
6. COMPATIBLE WITH PANDUIT 2RU PATCH PANELS (SOLD SEPARATELY)



PART NUMBER		CPB48BL		
TITLE		48 PORT CONSOLIDATION POINT BOX		
ITEM REVISION NAME		CUSTOMER DRAWING		
DATASET FILE NAME		01335NAF/03		
MATERIAL		01335NAF_DC/03A		
DRAWING NUMBER		01335NAF - DC		
THIRD ANGLE PROJECTION				
SEE NOTE 5				
REV	DATE	BY	CHK	SCALE
03A	11-4-19	BJN	BSN	NONE
DESCRIPTION		SHEET 1 OF 1		SIZE
RELEASED TO PRODUCTION		A		

03A	11-4-19	BJN	BSN	BETL	RELEASED TO PRODUCTION	M0900KT
REV	DATE	BY	CHK	APR	DESCRIPTION	ECN

2

1

2

1

A-SIZE CUSTOMER