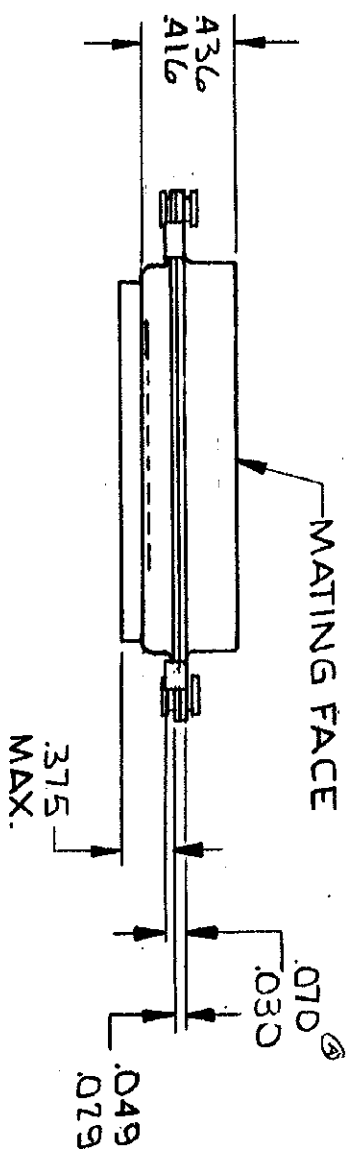
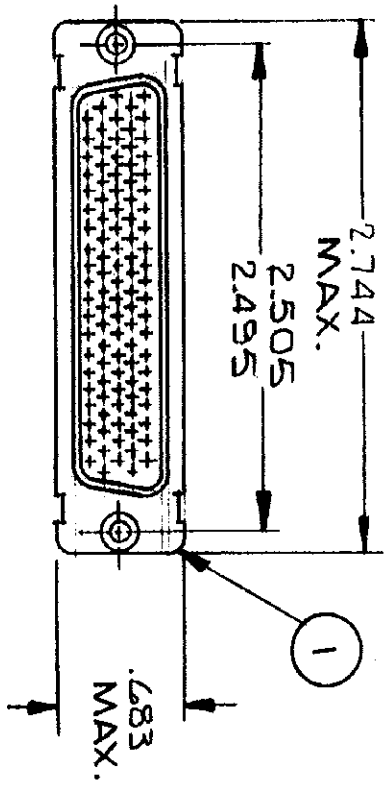


DRAWING MADE IN AMERICAN PROJECTION

© 1971 BY AMP INCORPORATED. ALL RIGHTS RESERVED. AMP PRODUCTS COVERED BY PATENTS AND/OR PATENTS PENDING.

Unpublished copy not to be reproduced without written permission of AMP Incorporated



APPROPRIATE AMP P/N (KIT) IS STAMPED ON PACKAGE

REVISIONS				
ZONE	LTR	DESCRIPTION	DATE	APPROVED
A		REV. PER ECN 8-948	5/14/73	[Signature]
B		ITEM 2 WAS S1054-1 ECN C-878	3/19/74	[Signature]
C		REV PER ECN DF-0021 & R2670	1-13-88	EAM

SUPSD BY 204547-2 9/9/67-1

204547	1	1	B	204370-2	CONTACT, PIN, SIZE *22D	3
204547	1	1	B	91067-1	INSERTION/EXTRACTION TOOL	2
204547	1	1	C	204535-1	PLUG ASS'Y, SIZE *G	1

UNLESS OTHERWISE SPECIFIED DIMENSIONS ARE IN INCHES TOLERANCES ON DECIMALS ± .015 ANGLES #		MATERIAL #	
CONTRACT NO.		NAME	
DR. P. J. MATTIOLI 7-14-71		AMP INCORPORATED HARRISBURG, PENNSYLVANIA	
APP'D. P. J. MATTIOLI 7-12-71		KIT "HDD" SERIES, PLUG, SIZE *G WITH FLOATING BUSHINGS	
RELE. J. H. WILSON 7/20/71		SIZE	
DSGN APP'D.		CODE IDENT NO.	
OTHER APP'D.		NUMBER	
SCALE #		204547	
		SHEET 1 OF 1	

PRINT-DIS' 2100
1 OF 1
DF

AMP 1470-1 REV (7/68)

CUSTOMER DRAWING