

SACC-FP-M-M12-THR PW PP - Housing screw connection



1108115

<https://www.phoenixcontact.com/us/products/1108115>

Please be informed that the data shown in this PDF document is generated from our online catalog. Please find the complete data in the user documentation. Our general terms of use for downloads are valid.



Housing screw connection with M12 standard thread, push-pull, with O-ring, for 2-piece K-, L-, and M-coded THR contact carriers

Your advantages

- Manufacturer-independent M12 push-pull locking system for maximum availability
- Easy and quick cabling of devices and systems in hard-to-reach areas
- Easy device integration, thanks to mechanical port screw connections with threaded fastening
- Flexible PCB assembly: two-piece connectors for wave and THR soldering

Commercial data

Item number	1108115
Packing unit	1 pc
Minimum order quantity	20 pc
Sales key	AB23
Product key	ABQAAE
GTIN	4063151012007
Weight per piece (including packing)	8.425 g
Weight per piece (excluding packing)	8.425 g
Customs tariff number	85366990
Country of origin	DE

SACC-FP-M-M12-THR PW PP - Housing screw connection



1108115

<https://www.phoenixcontact.com/us/products/1108115>

Technical data

Notes

General	The electrical and mechanical data specified assume that the connector pair is correctly locked and mounted. If the connector is unlocked and if there is a danger of contamination, the connector must be sealed using a protective cap > IP54. Influences arising from litz wires, cables or PCB assembly must also be taken into consideration.
General	If necessary, order locking nut separately

Product properties

Product type	Panel mounting base
--------------	---------------------

Material specifications

Material	Brass, nickel-plated
Flammability rating according to UL 94	V0
Seal material	FKM
Material of grip body	Brass, nickel-plated
Material for screw connection	Brass, nickel-plated

Connector

Connection 1

Head design	Plug
Head thread type	M12
Head locking type	Push-Pull

Mechanical properties

Mechanical data

Insertion/withdrawal cycles	> 100
-----------------------------	-------

Environmental and real-life conditions

Ambient conditions

Degree of protection (when plugged in)	IP67 (correctly plugged in and locked)
Degree of protection	IP67 (correctly plugged in and locked) IP67, when in locked state
Ambient temperature (operation)	-25 °C ... 85 °C (Plug / socket) -40 °C ... 85 °C (without mechanical actuation)

Standards and regulations

M12

Standard designation	M12 connector
Standards/specifications	IEC 61076-2-010

SACC-FP-M-M12-THR PW PP - Housing screw connection



1108115

<https://www.phoenixcontact.com/us/products/1108115>

Note	Push-pull
------	-----------

Mounting

Mounting type	Front mounting M14 x 1
Connection method	THR- und Wellenlötkontakte

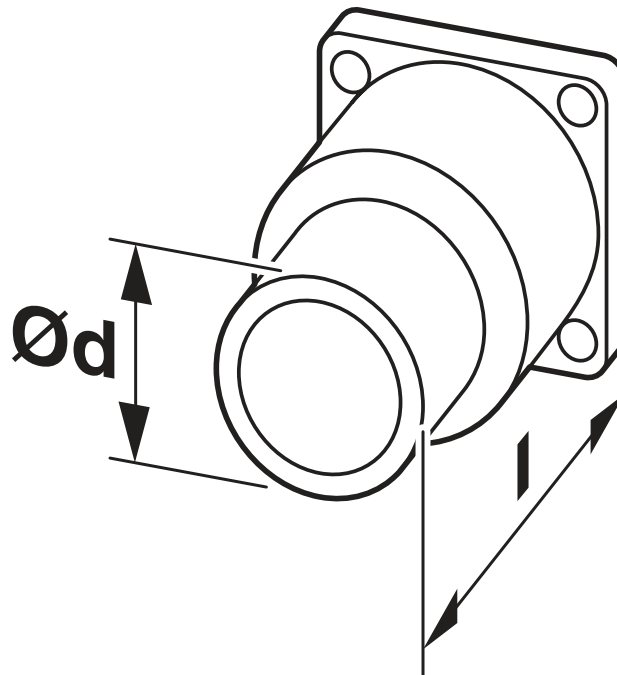
SACC-FP-M-M12-THR PW PP - Housing screw connection

1108115

<https://www.phoenixcontact.com/us/products/1108115>

Drawings

Dimensional drawing



Technical drawings can be found under Downloads

SACC-FP-M-M12-THR PW PP - Housing screw connection



1108115

<https://www.phoenixcontact.com/us/products/1108115>

Classifications

ECLASS

ECLASS-11.0	27440224
ECLASS-12.0	27440224
ECLASS-13.0	27440224

UNSPSC

UNSPSC 21.0	39121400
-------------	----------

SACC-FP-M-M12-THR PW PP - Housing screw connection



1108115

<https://www.phoenixcontact.com/us/products/1108115>

Environmental product compliance

China RoHS	Environmentally friendly use period: unlimited = EFUP-e
	No hazardous substances above threshold values

Phoenix Contact 2023 © - all rights reserved
<https://www.phoenixcontact.com>

Phoenix Contact USA
586 Fulling Mill Road
Middletown, PA 17057, United States
(+717) 944-1300
info@phoenixcon.com