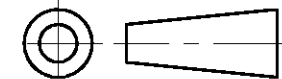


DO NOT SCALE

METRIC

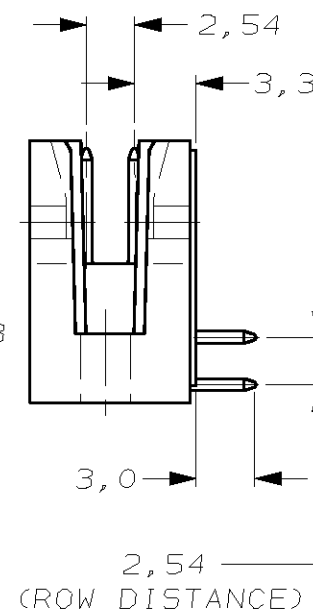
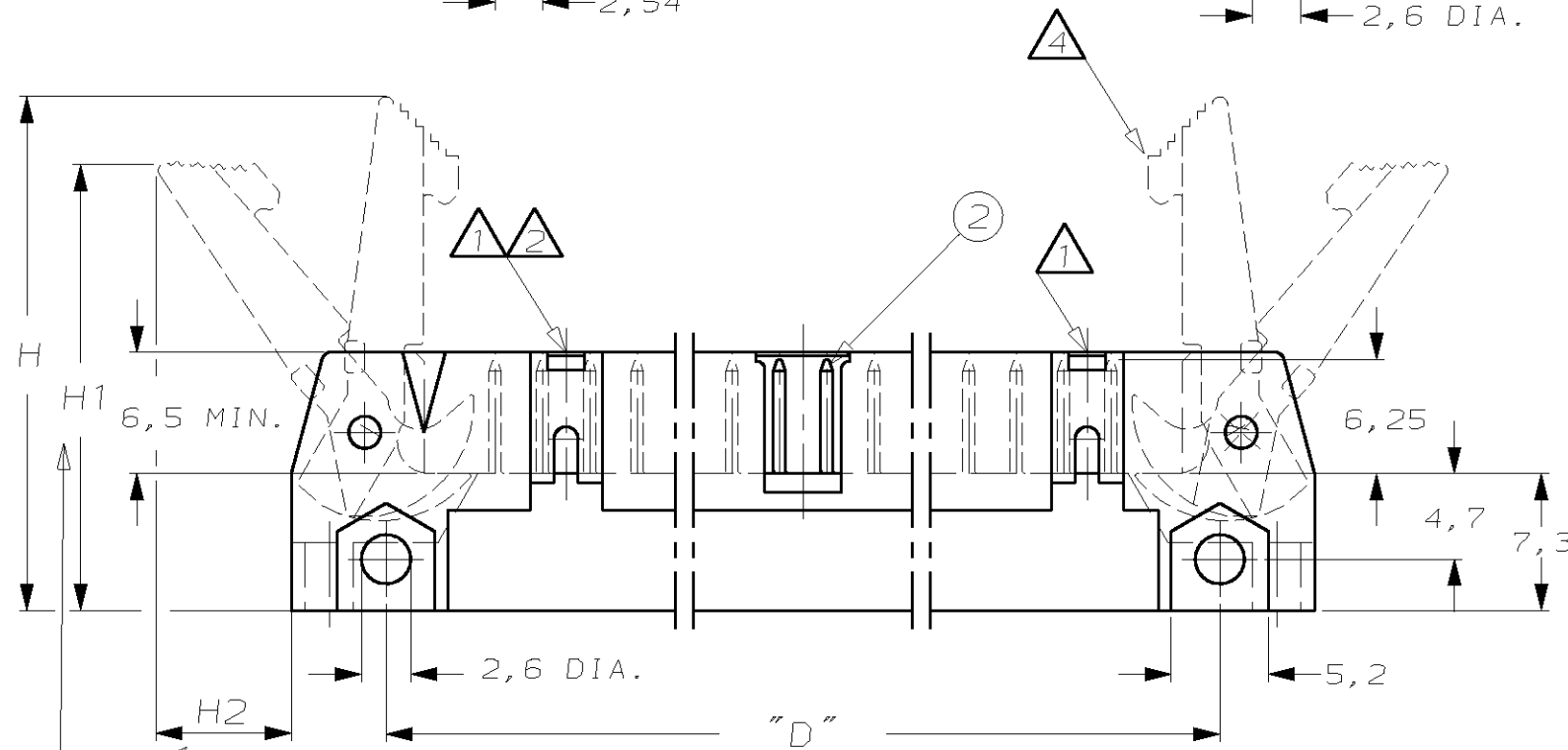
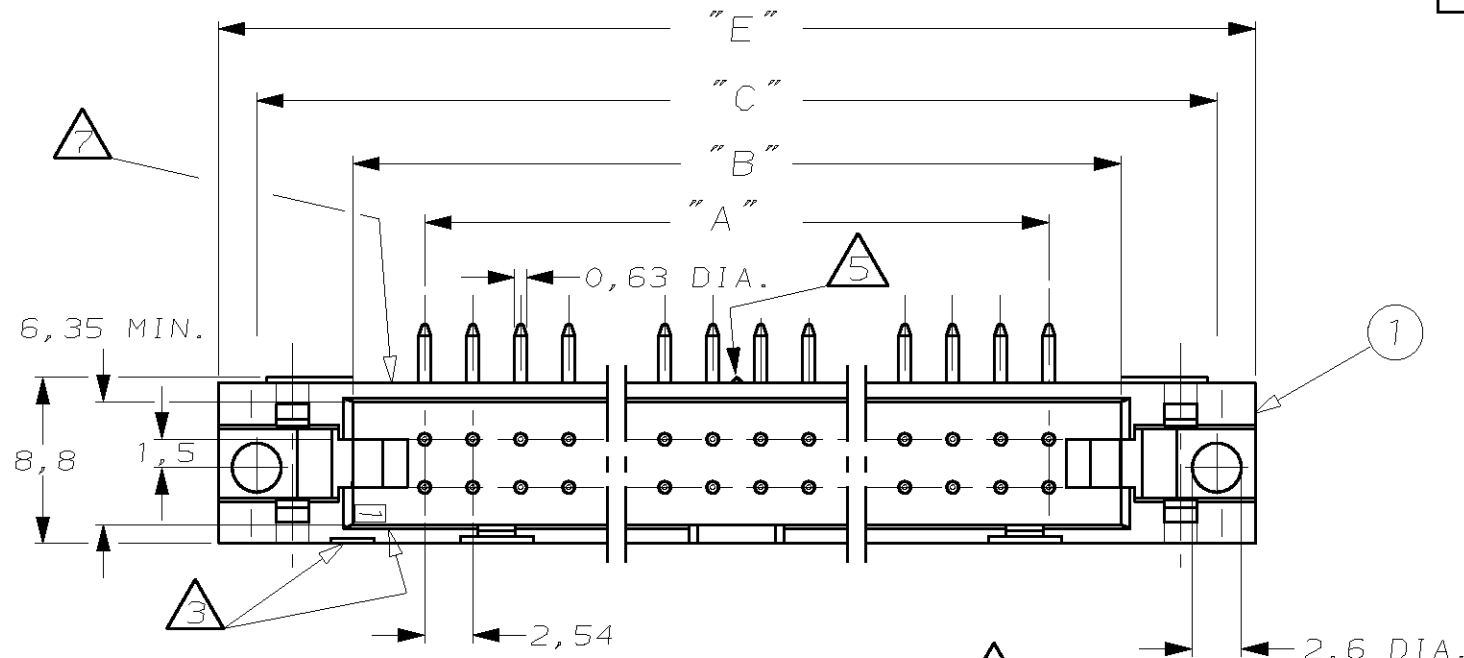
THIRD ANGLE
PROJECTION



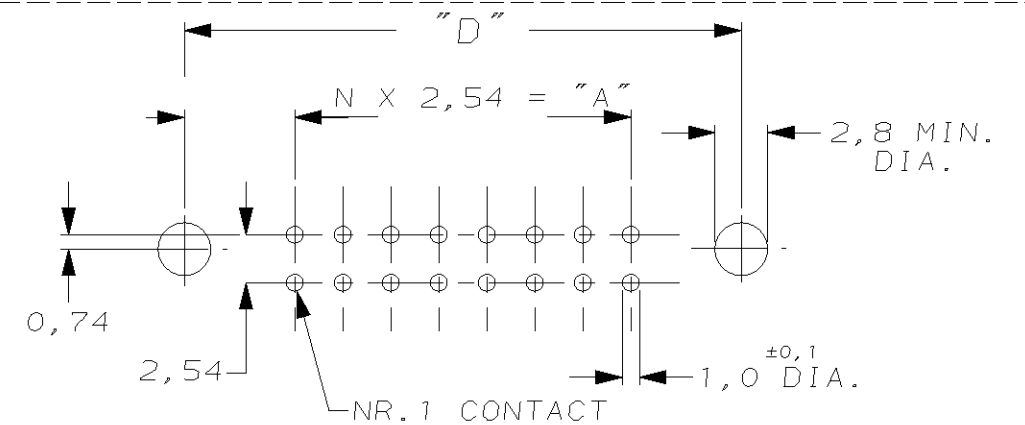
DIMENSIONS IN mm

NOTES

- ① SNAP-IN POLARIZERS PN. 927636-2 OR 927637-2 CAN BE APPLIED.
- ② THERE IS NO WINDOW FOR SNAP-IN POLARIZERS AT THIS END IN 10 AND 14 POS. HEADERS.
- ③ INDICATION OF FIRST POSITION.
- ④ SNAP-IN CONNECTOR "LATCH / EJECTOR" PN. 927176-2 OR 927215-2 CAN BE APPLIED.
- ⑤ THERE IS NO CENTER STAND-OFF IN 10-26 POS. HEADERS.
- ⑥ DIMENSION WITH EJECTOR : PN. 927176-2 H= 23 MM, PN. 927215-2 H= 27,3 MM.
H1= 20,2 MM H1= 24 MM
H2= 6 MM H2= 7 MM
- ⑦ PARTNUMBER AND PROD.- DATE ON SUITABLE SURFACE X-828 581-X
DD.MM.YY



RECOMMENDED PCB-HOLE PATTERN



② PIN-CONTACT

BRASS

MATING SIDE: 0,8µm Au
OR 0,8µm AMP DURAGOLD® /
OVER 1,27µm Ni
SOLDER SIDE: MIN. 3,0µm Sn
OVER 1,27µm Ni

① HOUSING

GLASSFILLED POLYESTER

GREY

COMPONENT NAME

MATERIAL

PLATING/COLOUR

100,6	90,4	96,5	86,4	78,7	64	6-828581-4
95,5	85,3	91,4	81,3	73,7	60	6-828581-0
82,8	72,6	78,7	68,6	61,0	50	5-828581-0
70,1	59,9	66,0	55,9	48,3	40	4-828581-0
62,5	52,3	58,4	48,3	40,6	34	3-828581-4
52,3	42,2	48,3	38,1	30,5	26	2-828581-6
44,7	34,5	40,6	30,5	22,9	20	2-828581-0
39,6	29,5	35,6	25,4	17,8	16	1-828581-6
37,1	26,9	33,0	22,9	15,2	14	1-828581-4
32,0	21,8	27,9	17,8	10,2	10	1-828581-0

DIM. "E"	DIM. "D"	DIM. "C"	DIM. "B"	DIM. "A"	NR. OF POSITIONS	PARTNUMBER
VARIABLE CONNECTOR DIMENSIONS						

CUSTOMER DRAWING			FOR REFERENCE ONLY WILL NOT BE UPDATED		
© COPYRIGHT 19- BY AMP-HOLLAND B.V. ALL INTERNATIONAL RIGHTS RESERVED. AMP PRODUCTS MAY BE COVERED BY U.S. AND FOREIGN AND/OR PATENTS PENDING.			THIS DRAWING IS UNPUBLISHED RELEASED FOR PUBLICATION - ,19 -		
A 1	PLATING DURAGOLD OR GOLD ALTERNATIVELY USABLE	MAH. STRE. 27-JUN-03			
A	BEMERKUNGEN ⑤ U. ⑥ ERGAENZT	BLU LAU 10.05.95			
0	EH-0839-93	JvL RV 29-11-93			
LTR.	REVISION RECORD	DR. CHK. DATE			
DR.:	J.v.LIEMPT	CHK.:	R. VERSTIJNEN	APP.:	L.v.50EST
DATE:	29-11-93	DATE:	-	DATE:	-

AMP HOLLAND B.V. 's-Hertogenbosch, The Netherlands.		NAME	AMP-LATCH HEADER 90 DEG. VERSION				
DWG.No.	C-828581	LOC.	AI A3	SHEET	1 OF 1	REV.LTR.	A1

8 7 6 5 4 3 2 1