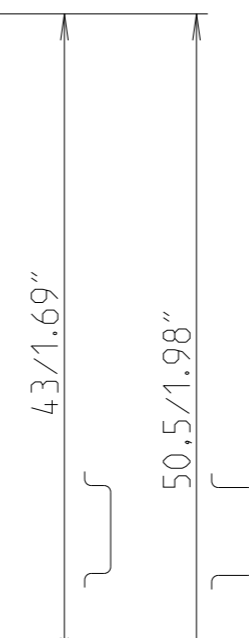
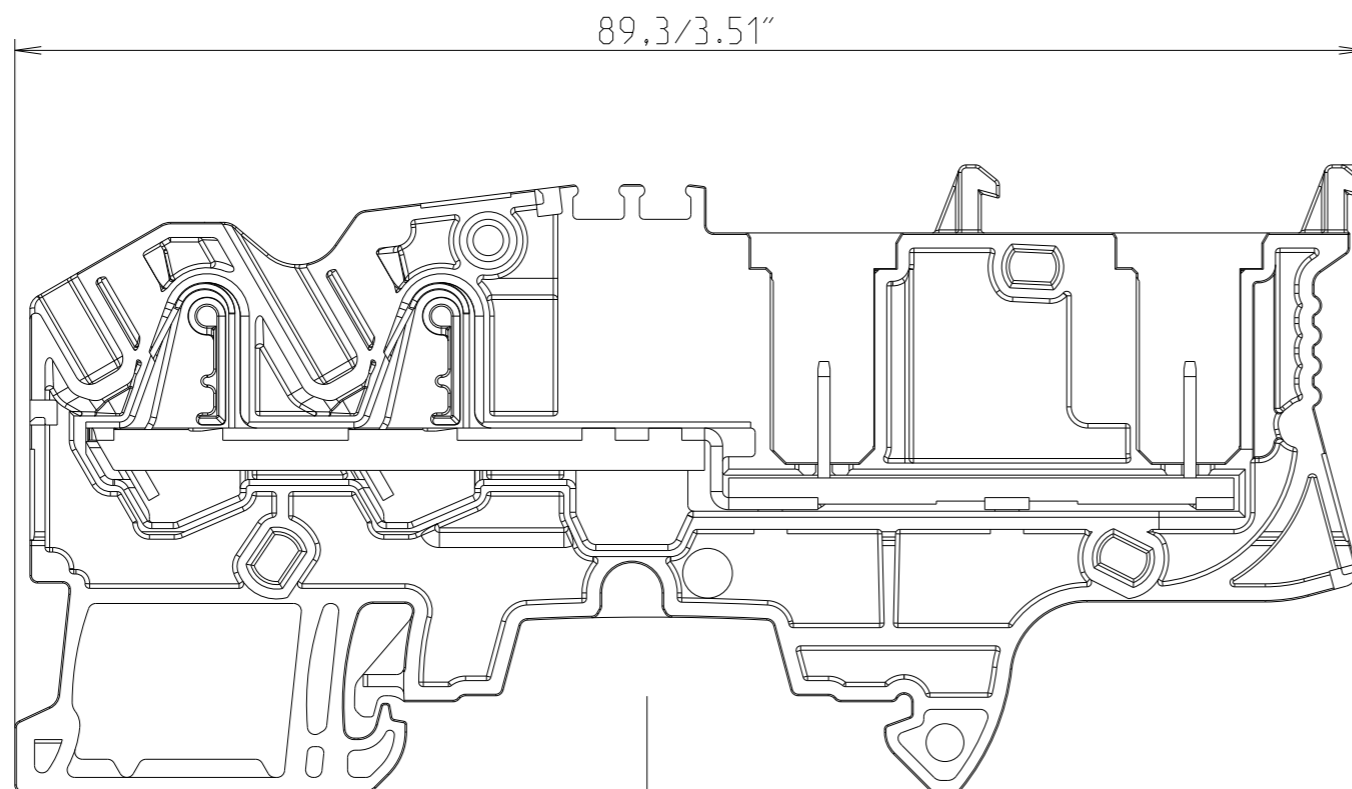
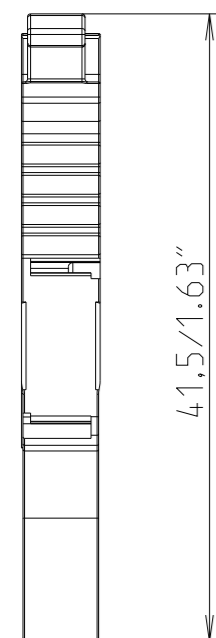
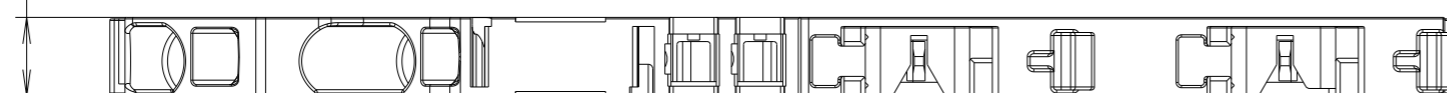


P	LTR	DESCRIPTION	DATE	DWN	APVD
	1	First Released	13JAN2021	VR	VR
	A	GTP	08JUN2022	VR	VR



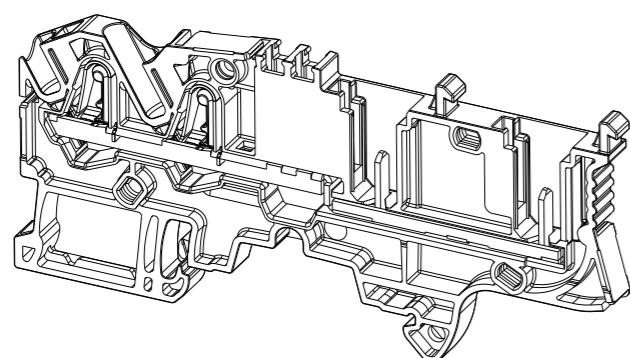
5,2/0.2"



axe du profile
axis of profile

hauteur hors tout sur profile
overall height on profile

ZDK2.5-22-D3000	1SNK805019R0000
ZDK2.5-22-BL	1SNK805020R0000
ZDK2.5-22	1SNK805010R0000
DESCRIPTION	PART NO



Vue Isometrique
Isometric View

THIS DRAWING IS A CONTROLLED DOCUMENT.

DIMENSIONS:		TOLERANCES UNLESS OTHERWISE SPECIFIED:	
mm			
	0 PLC	±	
	1 PLC	±0,1	
	2 PLC	±0,01	
	3 PLC	±0,001	
	4 PLC	±0,0001	
	ANGLES	±	
MATERIAL		FINISH	
-		-	

08 Jun-22 03:47:42 PM

Villard, Romain

CHK 08JUN2022

Villard, Romain

APVD 08JUN2022

Villard, Romain

PRODUCT SPEC

-

APPLICATION SPEC

-

CUSTOMER DRAWING

NAME				RESTRICTED TO	
ZDK2.5-22..					
SIZE	CAGE CODE	DRAWING NO			
A3	00779	©-C-1SNP105480-0100			
WEIGHT		9,938	SCALE	SHEET	REV
			2:1	1 OF 1	A1

