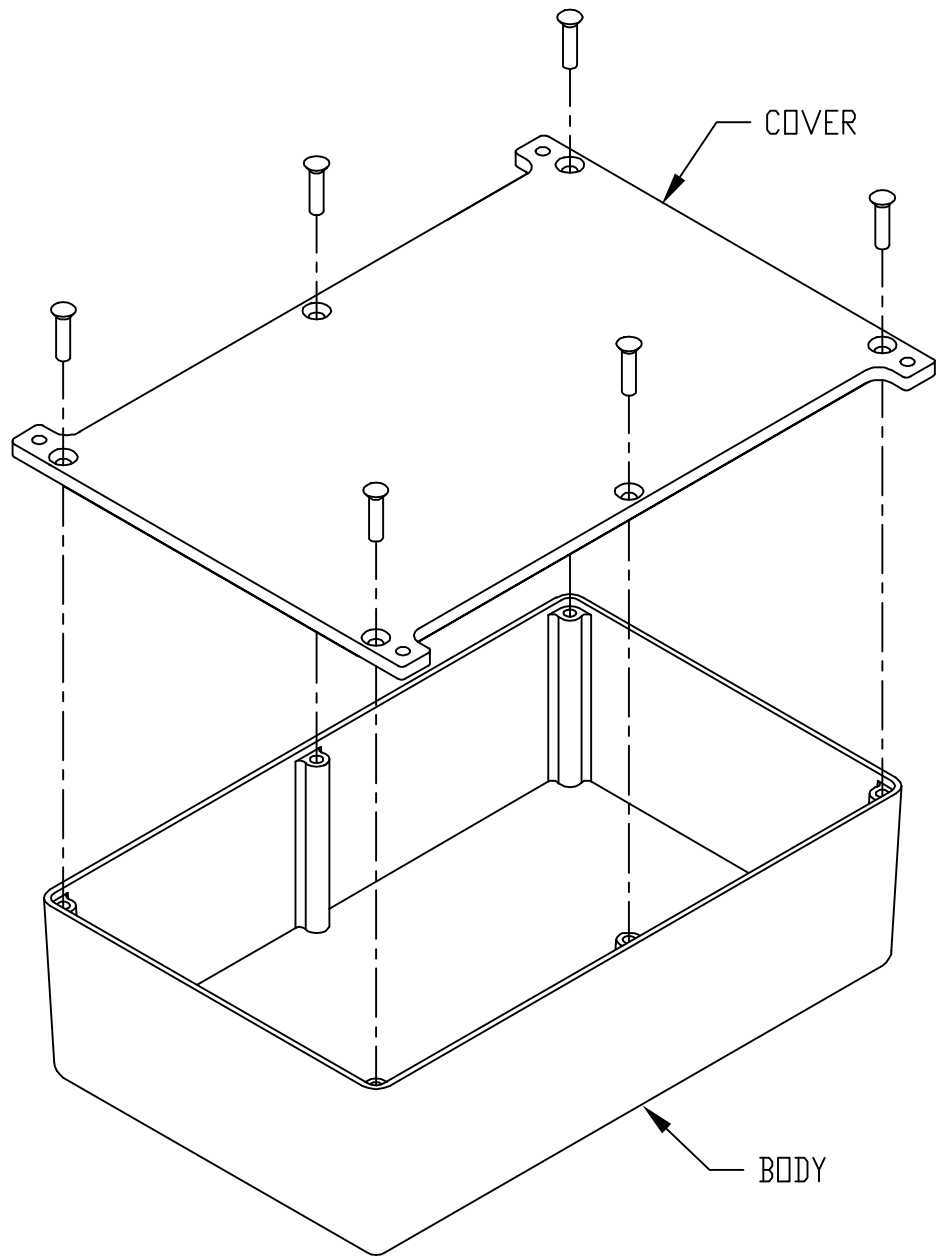
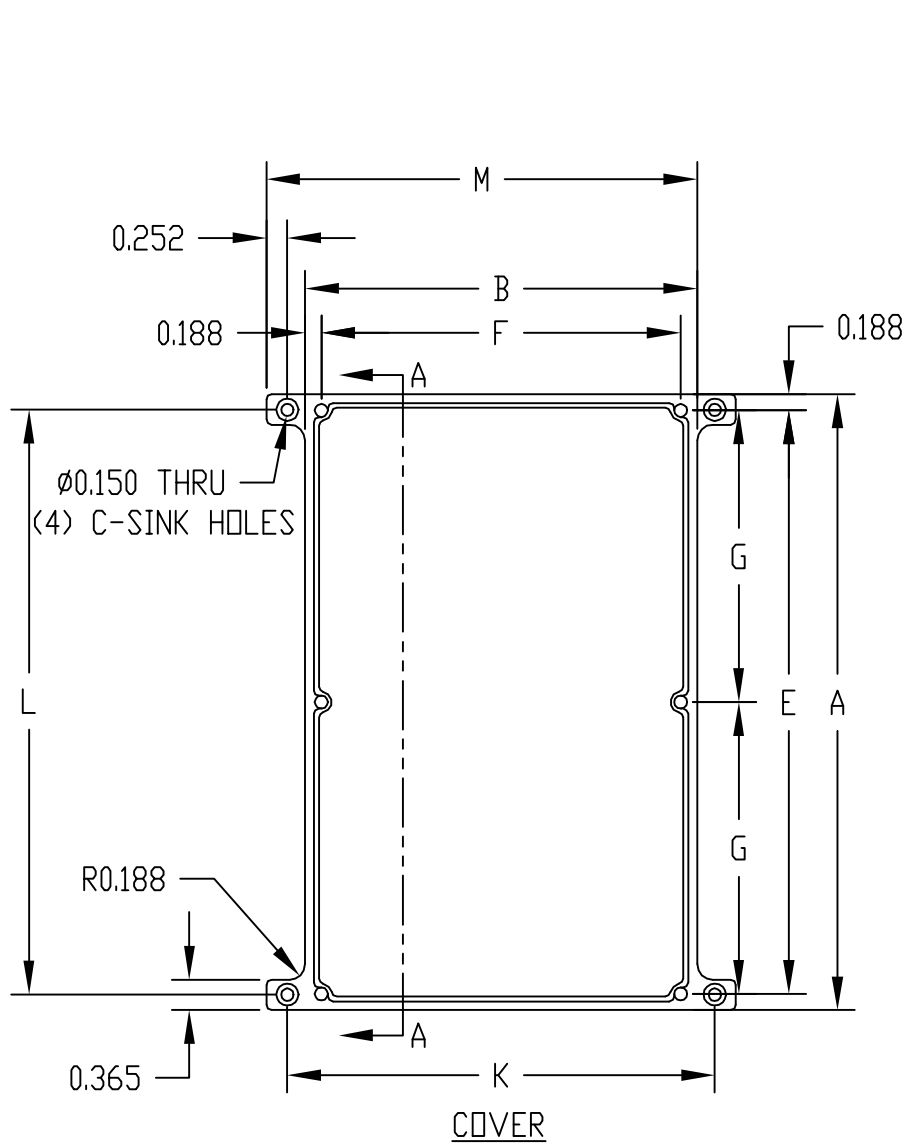


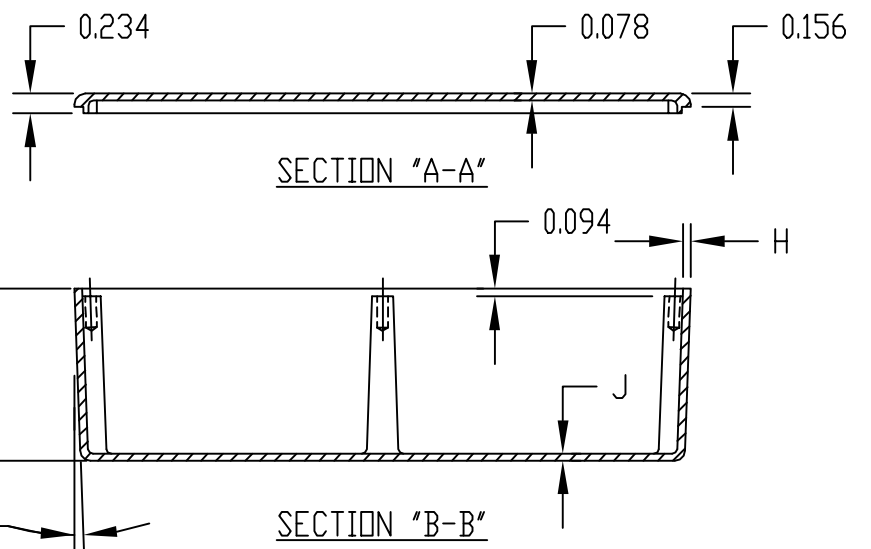
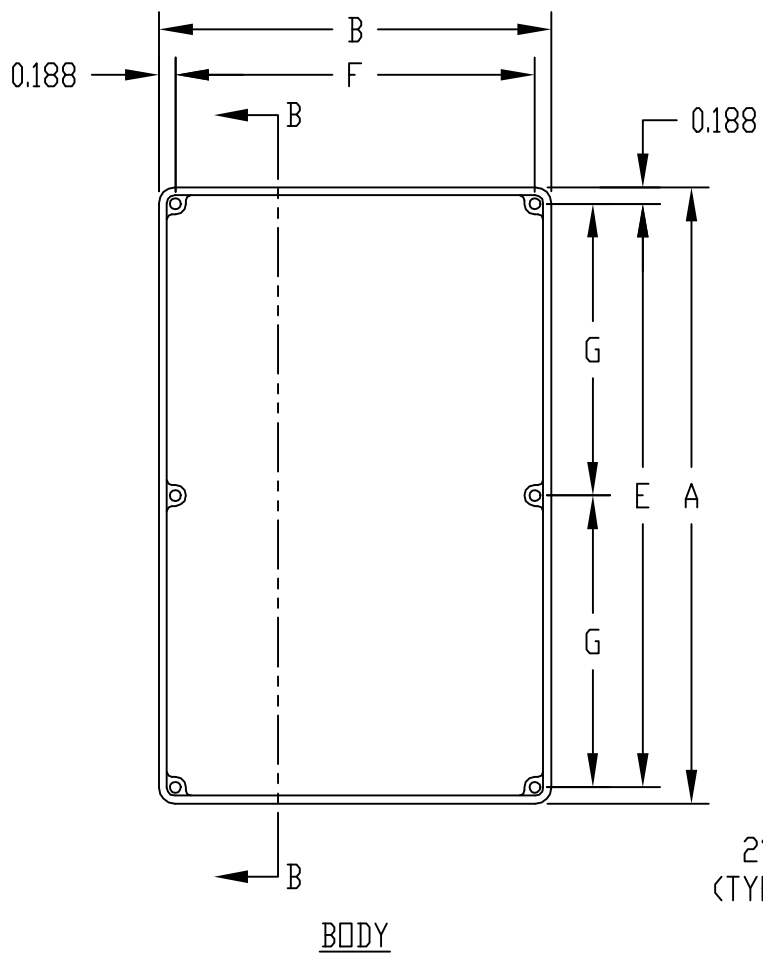
| | | | | | |
|-----------|-----------|----------|---|-----------|---------|
| PART NAME | ECONOBXES | PART No. | CU-5123 TO CU-5347 & CU-5123-B TO CU-5347-B | REV. DATE | 8-31-10 |
|-----------|-----------|----------|---|-----------|---------|



MATERIAL:
ALUMINUM ALLOY #ADC-12

FINISH:
NATURAL (NO SUFFIX)
SMOOTH BLACK (SUFFIX -B)

ALL INTERNAL FILLETS 0.062 RADIUS
ALL INTERNAL ROUNDS 0.125 RADIUS
ALL EXTERNAL ROUNDS 0.125 RADIUS
ALL BOXES ASSEMBLED WITH #6-32 FLAT HD. SCREWS



* ASSEMBLED HEIGHT

| PART NO. | PART NO. | A | B | * C | D | E | F | G | H | J | K | L | M |
|----------|-----------|-------|-------|-------|-------|-------|-------|-------|-------|-------|-------|-------|-------|
| CU-5123 | CU-5123-B | 3.625 | 1.500 | 1.218 | 1.062 | 3.250 | 1.125 | --- | 0.062 | 0.062 | 1.968 | 3.250 | 1.986 |
| CU-5124 | CU-5124-B | 4.375 | 2.375 | 1.218 | 1.062 | 4.000 | 2.000 | --- | 0.062 | 0.078 | 2.844 | 4.000 | 2.862 |
| CU-5234 | CU-5234-B | 4.688 | 3.688 | 2.218 | 2.062 | 4.312 | 3.312 | --- | 0.094 | 0.078 | 4.156 | 4.310 | 4.174 |
| CU-5247 | CU-5247-B | 7.390 | 4.703 | 2.218 | 2.062 | 7.000 | 4.312 | 3.500 | 0.094 | 0.078 | 5.172 | 7.020 | 5.190 |
| CU-5347 | CU-5347-B | 7.390 | 4.703 | 3.218 | 3.062 | 7.000 | 4.312 | 3.500 | 0.094 | 0.078 | 5.172 | 7.020 | 5.190 |