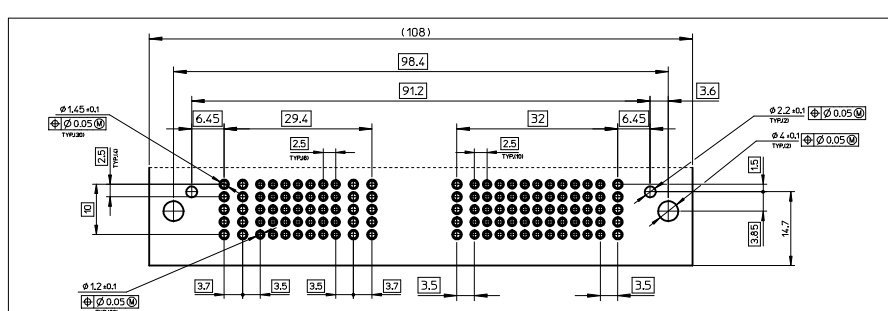
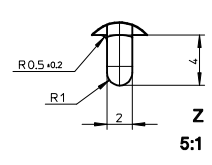
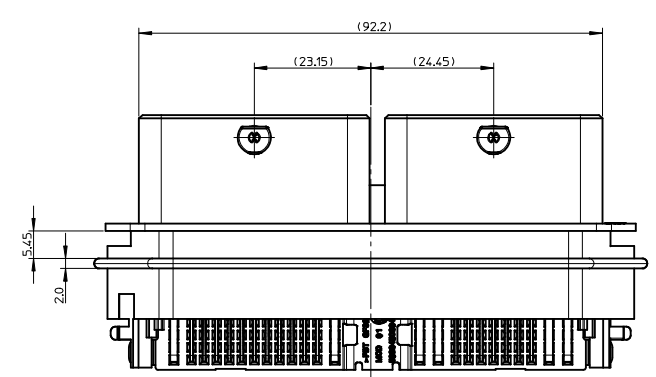
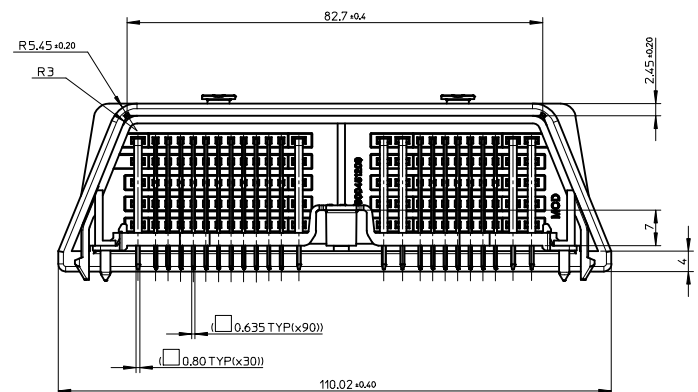
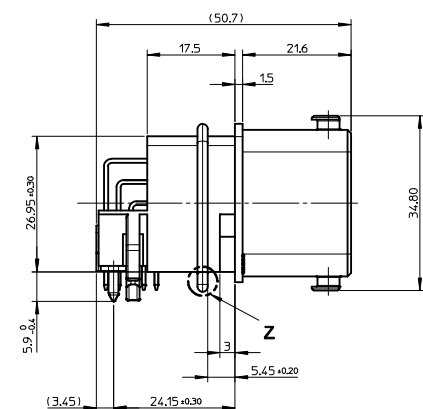
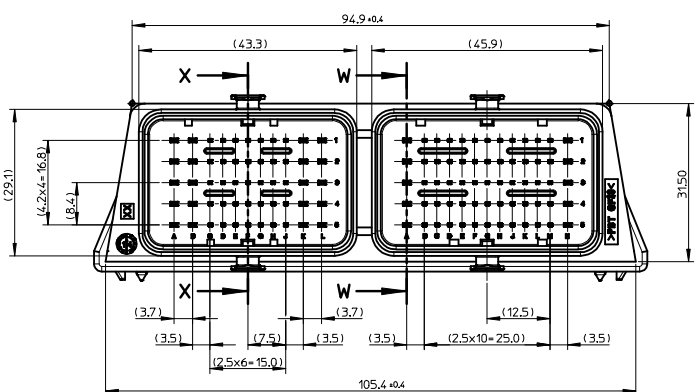
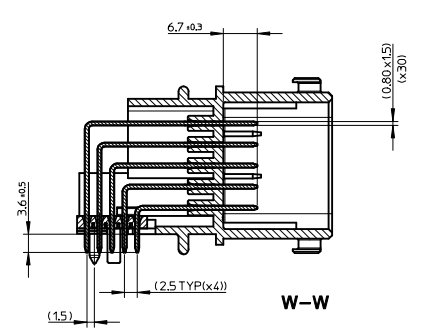
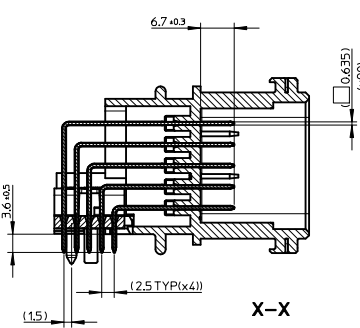
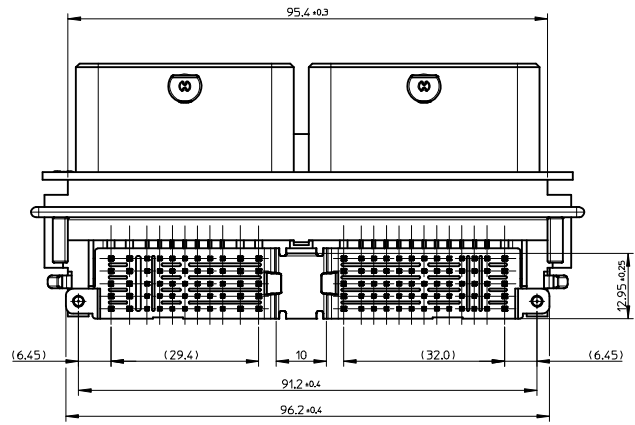


NOTES
1 - PART FREE OF SOLVENT CONTAINING SILICONE AND GREASE.

POS.	DESIGNATION	MATERIAL	COLOUR	SURFACE FINISH	QUANTITY
12	PIN 150 - ROW 1	COPPER ALLOY	BLACK	Sn PLATING	6
11	PIN 150 - ROW 2				6
10	PIN 150 - ROW 3				6
9	PIN 150 - ROW 4				6
8	PIN 150 - ROW 5				6
7	PIN 064 - ROW 1	COPPER ALLOY	BLACK	Sn PLATING	18
6	PIN 064 - ROW 2				18
5	PIN 064 - ROW 3				18
4	PIN 064 - ROW 4				18
3	PIN 064 - ROW 5				18
2	PIN GUIDING PLATE	>PBT-GF30<	BLACK		1
1	HEADER 120 CKT	>PBT-GF30<	BLACK		1

5600451201	MOLEX P/N
CMX HEADER RA ASSY 120CKT	DESCRIPTION
PK-560045-001	PACKAGING
99.05 g	WEIGHT

TO MODIFY LASER MARKING	REV	DESCRIPTION	QUALITY SYMBOLS	GENERAL TOLERANCES (UNLESS SPECIFIED)		DIMENSION STYLE		SCALE	DESIGN UNITS	FIRST ANGLE PROJECTION
				mm	INCH	MM ONLY	DATE			
EC NO: G2015-0213	A	2014/12/02	▽=0	4 PLACES ±---	±---	PGRANDCL	2014/06/25	2:1	METRIC	TITLE CMX 120W HEADER ASSEMBLED SERIAL molex DOCUMENT NO. SD-560045-010 SHEET NO. 1 OF 2
DRW: PGRANDCL		2014/12/02	▽=0	3 PLACES ±---	±---	CHECKED BY	DATE			
CHK: DPLESSIS		2014/12/02	▽=0	2 PLACES ±0.30	±---	DPLESSIS	2014/06/25			
APPR: SLAFAURE		2015/10/05	▽=0	1 PLACE ±0.25	±---	APPROVED BY	DATE			
				0 PLACE ±0.20	±---	SLAFAURE	2014/06/26			
				ANGULAR ± 2 °		MATERIAL NO.				
				DRAFT WHERE APPLICABLE MUST REMAIN WITHIN DIMENSIONS		5600451201				
						SIZE 1				
						THIS DRAWING CONTAINS INFORMATION THAT IS PROPRIETARY TO MOLEX INCORPORATED AND SHOULD NOT BE USED WITHOUT WRITTEN PERMISSION				



RECOMENDED PCB LAYOUT (COMPONENT SIDE)
SCALE 2:1

SEE SHEET 1 EC NO: G2015-023 DRAWN: PGRANDCL CHKD: DPLESSIS APPROV: SLAFAURE	2014/12/02	QUALITY SYMBOLS	GENERAL TOLERANCES (UNLESS SPECIFIED)		DIMENSION STYLE MM ONLY		SCALE 2:1	DESIGN UNITS METRIC	FIRST ANGLE PROJECTION
	2014/12/02	▽=0	mm	INCH	DRAWN BY	DATE	TITLE	CMX 120W HEADER ASSEMBLED SERIAL molex DOCUMENT NO. SD-560045-010	
	2015/10/05	▽=0,30	DRAFT WHERE APPLICABLE MUST REMAIN WITHIN DIMENSIONS		CHECKED BY	DATE			
		▽=0,25	ANGULAR ± 2°		APPROVED BY	DATE			
	▽=0,20	MATERIAL NO. 5600451201		SLAFAURE	2014/06/26				
REV	DESCRIPTION	SIZE 1		THIS DRAWING CONTAINS INFORMATION THAT IS PROPRIETARY TO MOLEX INCORPORATED AND SHOULD NOT BE WITHOUT WRITTEN PERMISSION					