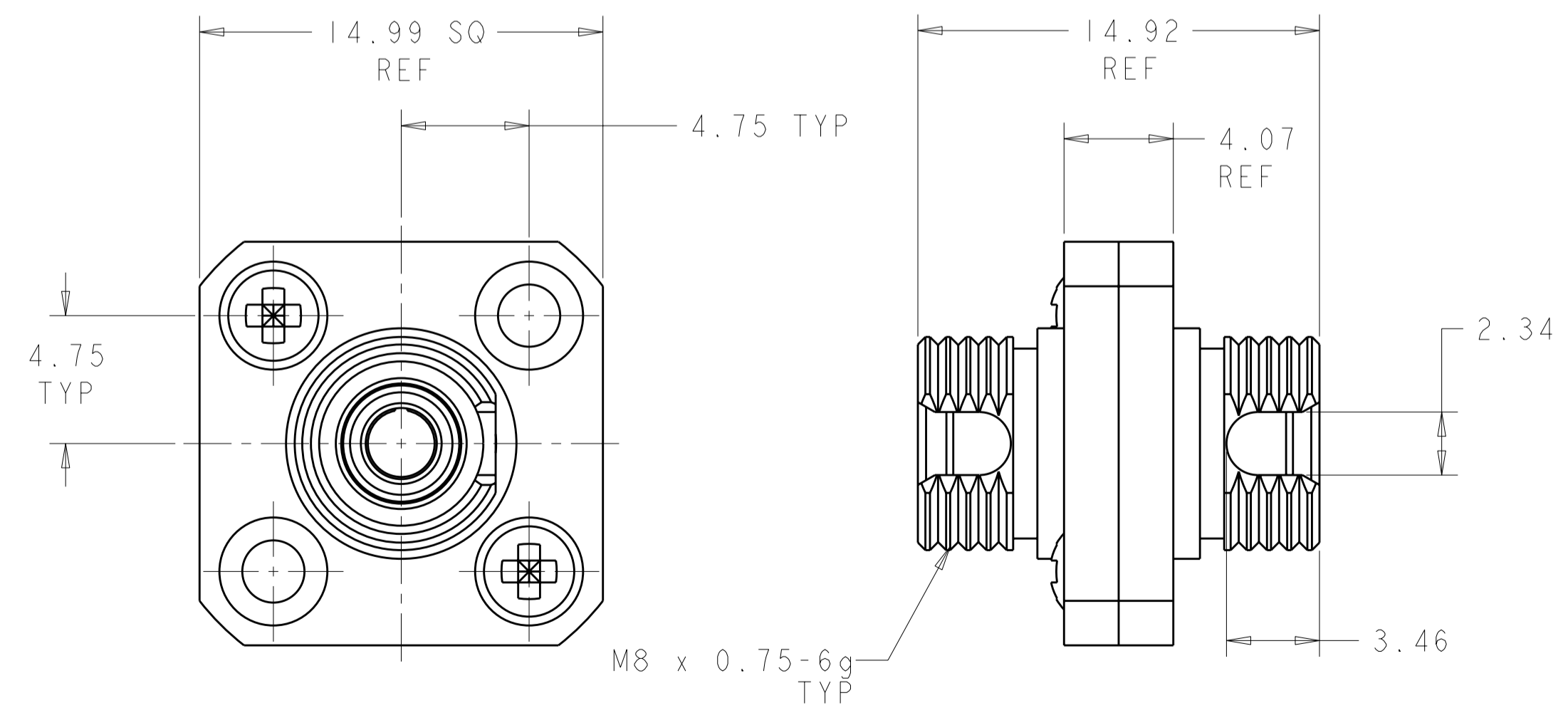
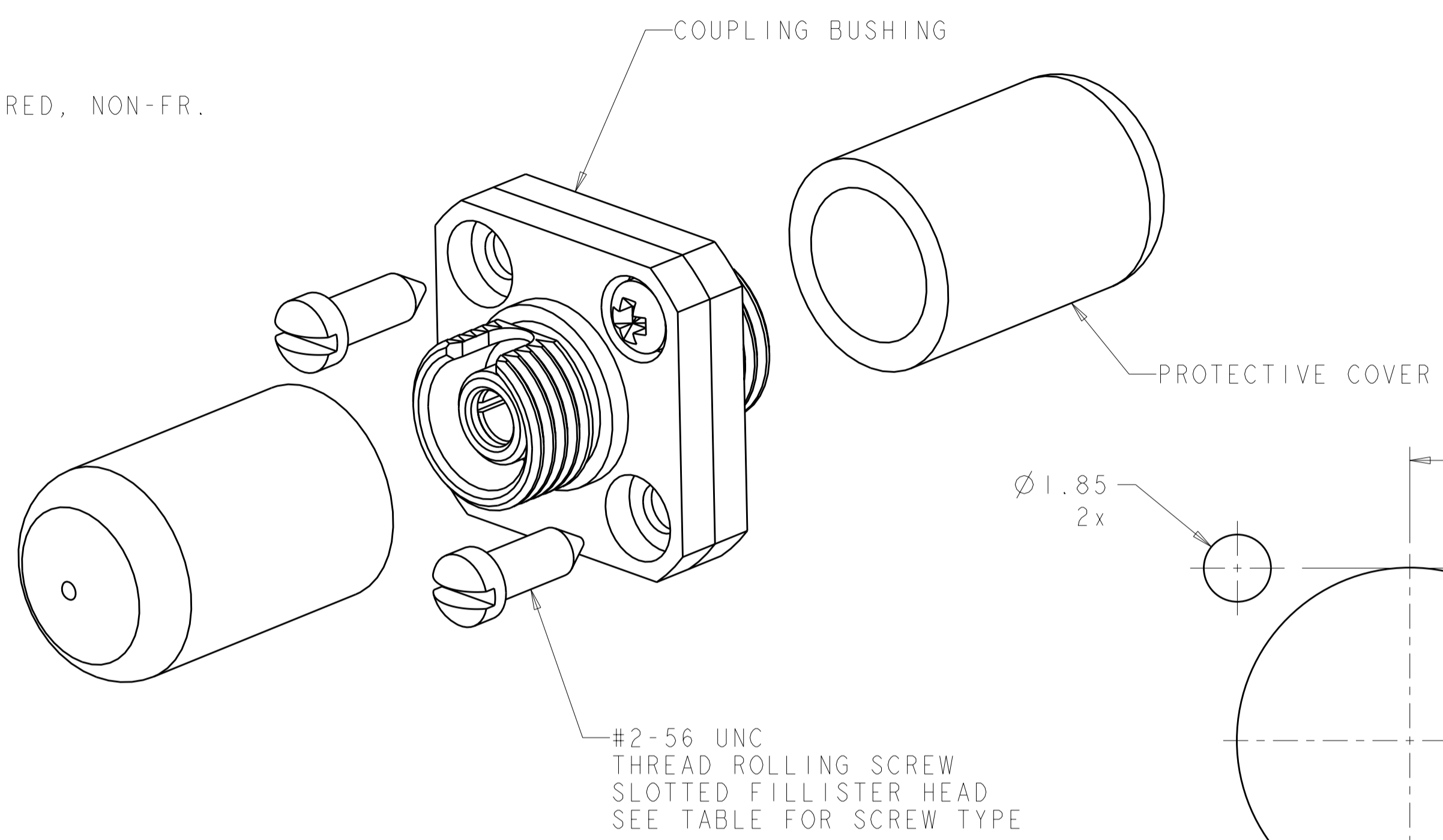


THIS DRAWING IS UNPUBLISHED. RELEASED FOR PUBLICATION 20
 © COPYRIGHT 20 BY TYCO ELECTRONICS CORPORATION. ALL RIGHTS RESERVED.

LOC	DIST	REVISIONS			
P	LTR	DESCRIPTION	DATE	DWN	APVD
CE	00	A	RELEASE TO ACTIVE	06JUN2006	BB SM

1 BULK PACKAGE.

2 MATERIAL:
 HOUSING: NICKEL PLATED BRASS
 SLEEVE: PHOSPHOR BRONZE
 SLEEVE: ZIRCONIA
 SCREW: STAINLESS STEEL
 PROTECTIVE COVER: PVC, COLOR: RED, NON-FR.



1	NO SCREWS SUPPLIED	METAL	5501506-7
1	NO SCREWS SUPPLIED	CERAMIC	5501506-5
	SLOTTED FILLISTER HEAD	METAL	5501506-2
	SLOTTED FILLISTER HEAD	CERAMIC	5501506-1
	SCREW TYPE	ALIGNMENT SLEEVE	PART NUMBER

<small>THIS DRAWING IS A CONTROLLED DOCUMENT FOR TYCO ELECTRONICS CORPORATION IT IS SUBJECT TO CHANGE AND THE CONTROLLING ENGINEERING ORGANIZATION SHOULD BE CONTACTED FOR THE LATEST REVISION.</small>		DWN B. BRIGGS 08AUG2005 CHK S. MILLER 08AUG2005 APVD S. BUCHTER 08AUG2005	tyco Tyco Electronics Harrisburg, PA 17105-3608	
DIMENSIONS: mm 		PRODUCT SPEC APPLICATION SPEC WEIGHT	NAME ADAPTER KIT, FC SIZE CAGE CODE DRAWING NO RESTRICTED TO A200779 C-5501506	
MATERIAL 2 FINISH		CUSTOMER DRAWING	SCALE 5:1	SHEET 1 OF 1 REV A