

丸

形

Round Type

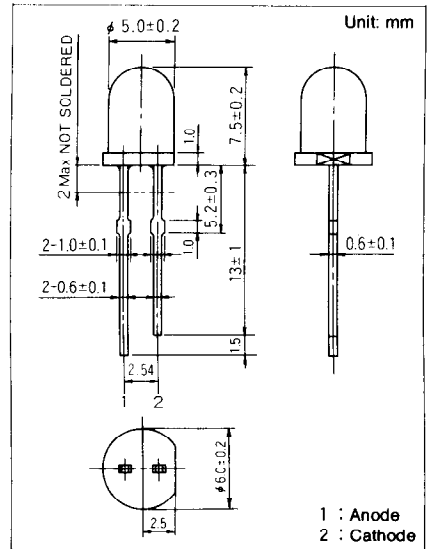
φ 5.0mm Series

Type No.	Lighting Color
LN31GPSL	Green
LN31GCPSL	Green
LN41YPSL	Amber
LN41YCPSL	Amber

絶対最大定格 Absolute Maximum Ratings (Ta=25 °C)

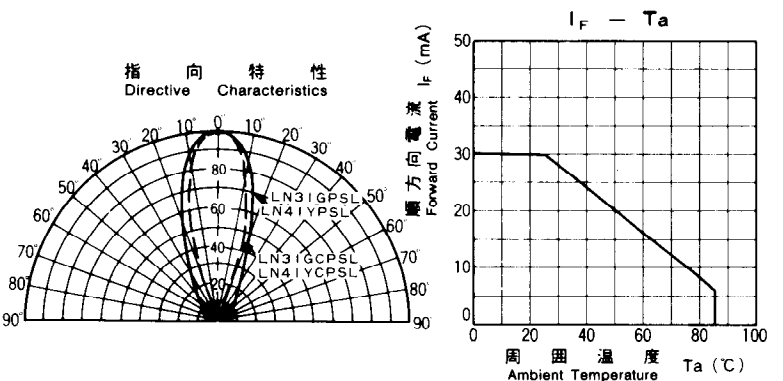
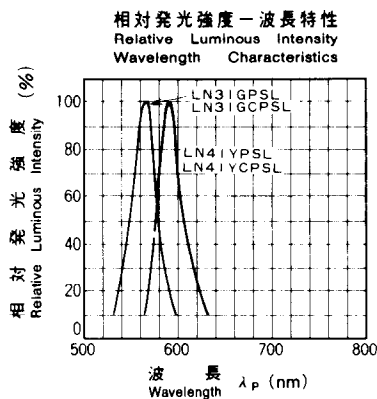
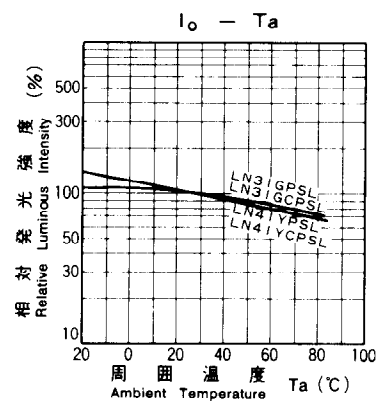
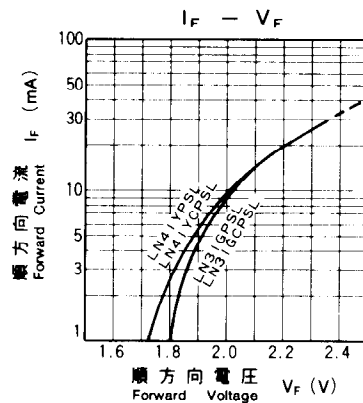
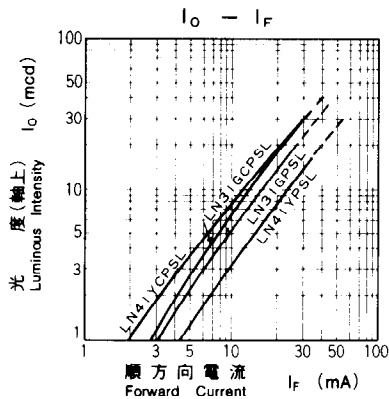
Lighting Color	P _D (mW)	I _F (mA)	I _{FP} (mA)*	V _R (V)	T _{opr} (°C)	T _{stg} (°C)
Green	90	30	150	4	-25~+85	-30~+100
Amber	90	30	150	4	-25~+85	-30~+100

* I_{FP}の条件は、duty 10%、Pulse width 1 msec The condition of I_{FP} is duty 10%、Pulse width 1 msec



電気的光学的特性 Electro-Optical Characteristics (Ta=25 °C)

Type No.	Lighting Color	Lens Color	I ₀		I _F	V _F		λ _p	Δλ	I _F	I _R	
			Typ.	Min.		Typ.	Max.				Max.	V _R
LN31GPSL	Green	Green Diffused	15.0	3.0	20	2.2	2.8	565	30	20	10	4
LN31GCPSL	Green	Green Clear	20.0	7.5	20	2.2	2.8	565	30	20	10	4
LN41YPSL	Amber	Amber Diffused	8.0	3.0	20	2.2	2.8	590	30	20	10	4
LN41YCPSL	Amber	Amber Clear	20.0	10.0	20	2.2	2.8	590	30	20	10	4
Unit	—	---	mcd	mcd	mA	V	V	nm	nm	mA	μA	V



指向特性
Directive Characteristics

