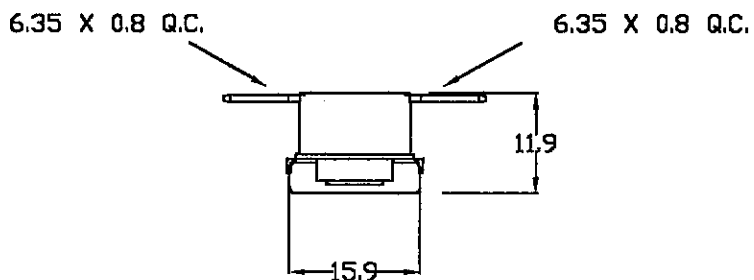
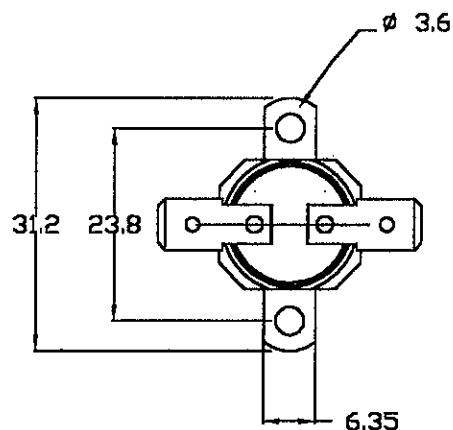


ALL DIMENSIONS ARE FOR REFERENCE ONLY

DO NOT SCALE DRAWING

ALL DIMENSIONS IN mm UNLESS STATED.



OPERATING CRITERIA

VOLTS; 240VAC
 AMPS; 10A

OPERATING CRITERIA

OPEN; 100±4°C
 CLOSE; 85±5°C

SPECIAL ARRANGEMENTS

PURPLE SPOT

NOTE:-
 CODING TO SUIT MANUFACTURING SITE

NOTE:- ORIENTATION OF BRACKET IS NOT FIXED

DRAWN BY;
 G.D.

ISSUE MOD No. MTH/YR	A 3052 03/97	B 3358 07/98	C 3640 01/01	
-------------------------	--------------------	--------------------	--------------------	--

CODING REQUIREMENTS
 COLOUR; WHITE
 L100C
 9100-438-UXX
 7100-438-ZXX
 (XXX = DATE CODING)

CAP;	MAT'L;	BRK'T;	B203S	MAT'L;	STEEL
		PLATING;		PLATING;	NICKEL
TERMINAL;	T146	MATERIAL;	BRASS	PLATING;	-

ELMWOOD DEVICE & UNIQUE PART NUMBER
 2455RP-9100-438(UK)
 2455RP-7100-438(CHINA)

DATE OF ISSUE STAMP
 18 JAN 2001



ELMWOOD DRG No.
 965206

ISSUE
 C