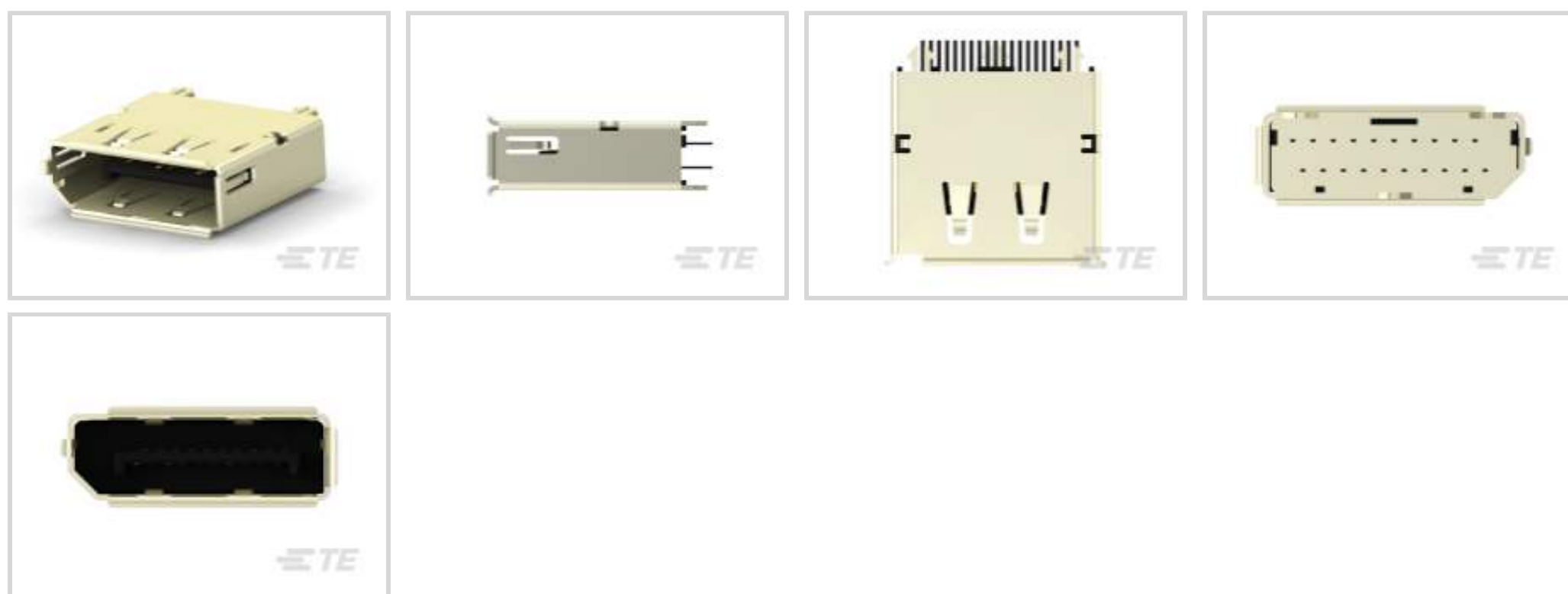




TE Internal #: 2041441-2
 DisplayPort Connectors, Vertical, Top, Through Hole - Solder,
 Gold, Cable-to-Board, 20 Position, .05 in [1 mm] Centerline, Printed
 Circuit Board

[View on TE.com >](#)

Connectors > Audio & Video Connectors > DisplayPort Connectors



PCB Mount Orientation: **Vertical**
 PCB Mount Location: **Top**
 Termination Method to Printed Circuit Board: **Through Hole - Solder**
 Screw Flange: **Without**
 PCB Mount Retention Type: **Boardlock**

Features

Product Type Features

Connector & Housing Type	Receptacle
Connector System	Cable-to-Board
Connector & Contact Terminates To	Printed Circuit Board

Configuration Features

PCB Mount Orientation	Vertical
Number of Positions	20

Body Features

Shell Plating Material	Nickel
------------------------	--------

Contact Features

Contact Base Material	Brass
Contact Mating Area Plating Material	Gold
Contact Current Rating (Max)	.5 A

Termination Features

Termination Post & Tail Length	2.5 mm[.098 in]
--------------------------------	-----------------



Termination Method to Printed Circuit Board

Through Hole - Solder

Mechanical Attachment

PCB Mount Location

Top

Screw Flange

Without

PCB Mount Retention Type

Boardlock

Connector Mounting Type

Board Mount

Housing Features

Shell Material

Phosphor Bronze

Housing Material

LCP (Liquid Crystal Polymer)

Housing Color

Black

Centerline (Pitch)

1 mm [.05 in]

Usage Conditions

Operating Temperature Range

-40 – 85 °C [-40 – 185 °F]

Operation/Application

Assembly Process Feature

Without Pick and Place Cover

Circuit Application

Signal

Industry Standards

UL Flammability Rating

UL 94V-0

Packaging Features

Packaging Method

Box & Tray, Tray

Product Compliance

For compliance documentation, visit the product page on [TE.com](https://www.te.com)>

EU RoHS Directive 2011/65/EU

Compliant

EU ELV Directive 2000/53/EC

Compliant

China RoHS 2 Directive MIIT Order No 32, 2016

No Restricted Materials Above Threshold

EU REACH Regulation (EC) No. 1907/2006

Current ECHA Candidate List: JUNE 2023 (235)
 Candidate List Declared Against: JUNE 2023 (235)
 Does not contain REACH SVHC

Halogen Content

Low Halogen - Br, Cl, F, I < 900 ppm per homogenous material. Also BFR/CFR/PVC Free

Solder Process Capability

Reflow solder capable to 260°C

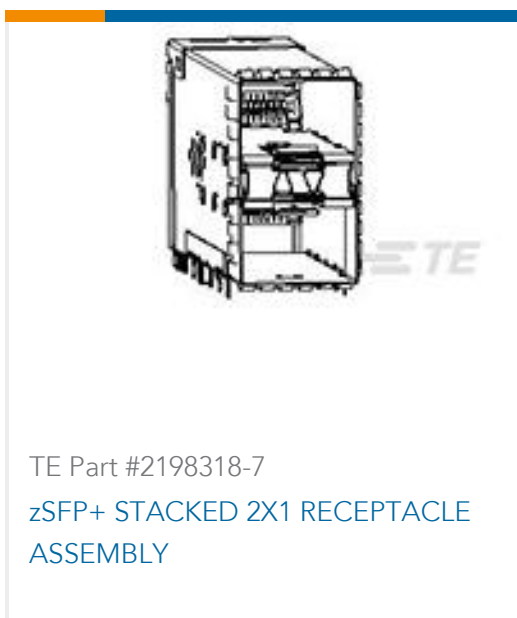
Product Compliance Disclaimer

This information is provided based on reasonable inquiry of our suppliers and represents our current actual knowledge based on the information they provided. This information is subject to change. The part numbers that TE has identified as EU RoHS compliant have a maximum concentration of 0.1% by weight in homogenous materials for lead, hexavalent chromium, mercury, PBB, PBDE, DBP, BBP, DEHP, DIBP, and 0.01% for cadmium, or qualify for an exemption to these limits as defined in the Annexes of Directive 2011/65/EU (RoHS2). Finished electrical and electronic equipment products will be CE marked as required by Directive 2011/65/EU. Components may not be CE marked. Additionally, the part numbers that TE has identified as EU ELV compliant have a maximum concentration of 0.1% by weight in homogenous materials for lead, hexavalent chromium, and mercury, and 0.01% for cadmium, or qualify for an exemption to these limits as defined in the Annexes of Directive 2000/53/EC (ELV). Regarding the REACH Regulation, the information TE provides on SVHC in articles for this part number is based on the latest European Chemicals Agency (ECHA) 'Guidance on requirements for substances in articles' posted at this URL: <https://echa.europa.eu/guidance-documents/guidance-on-reach>

Compatible Parts



Customers Also Bought





Documents

Product Drawings

[DP 20P V/T DIP 15u" Au, 2.5 tails](#)

English

CAD Files

[3D PDF](#)

3D

Customer View Model

[ENG_CVM_CVM_2041441-2_D.2d_dxf.zip](#)

English

Customer View Model

[ENG_CVM_CVM_2041441-2_D.3d_igs.zip](#)

English

Customer View Model

[ENG_CVM_CVM_2041441-2_D.3d_stp.zip](#)

English

By downloading the CAD file I accept and agree to the [Terms and Conditions](#) of use.

Product Specifications

[Product Specification](#)

English

[Product Specification](#)

English