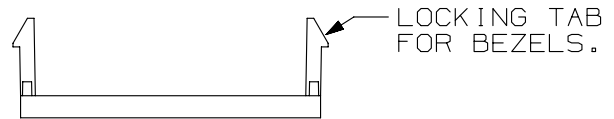


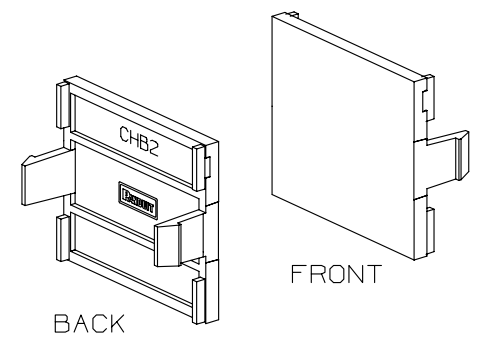
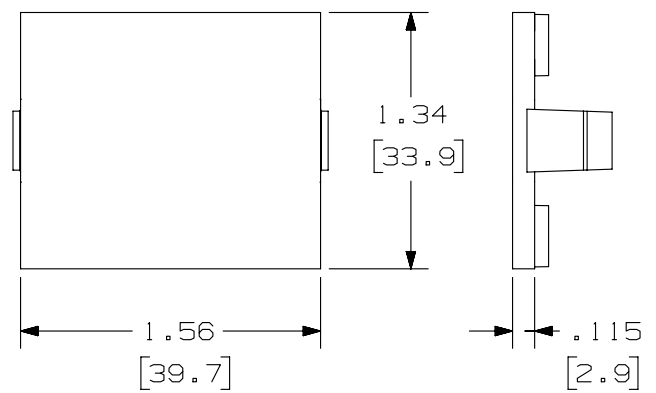
THIS COPY IS PROVIDED ON A RESTRICTED BASIS AND IS NOT TO BE USED IN ANY WAY DETRIMENTAL TO THE INTERESTS OF PANDUIT CORP.

PANDUIT P/N	WEIGHT
CHB2**-X	.8 LB/100 PCS (360g/100 PCS)



NOTES:

1. SEE CURRENT CATALOG FOR ADDITIONAL PART NUMBER SUFFIXES TO INDICATE COLOR AND OR PACKAGE QUANTITY.
2. THE BLANK(CHB2) IS TO BE USED WITH MINI-COM BEZELS.
3. DIMENSIONS IN PARENTHESES ARE IN METRIC.



PART NUMBER		CHB2**-X	
TITLE		1/2 SIZE BLANK INSERT	
		CUSTOMER DRAWING	
ITEM REVISION NAME		D35241BJ/00	
DATASET FILE NAME		D35241BJ_DC_01A	
UNLESS OTHERWISE SPECIFIED, DIMENSIONAL TOLERANCES ARE: IN [mm]		MATERIAL:	
.x ± .xxx ± .010 [.3]		ABS	
.xx ± .03 [.8] ANGLES ±		DRAWING NUMBER:	
THIRD ANGLE PROJECTION		35241-10	
DRAWN BY	DATE	CHK	SCALE
DW	3-6-96	CEF	NONE
SHT 1 OF 1			SIZE
			A

2	4/22/14	JSP	REFR	MMR	REVISED AND REDRAWN, ALL OTHER PREVIOUS REVISIONS HAVE BEEN OMITTED.	35241-10
REV	DATE	BY	CHK	APR	DESCRIPTION	ECN

D10100DA/14