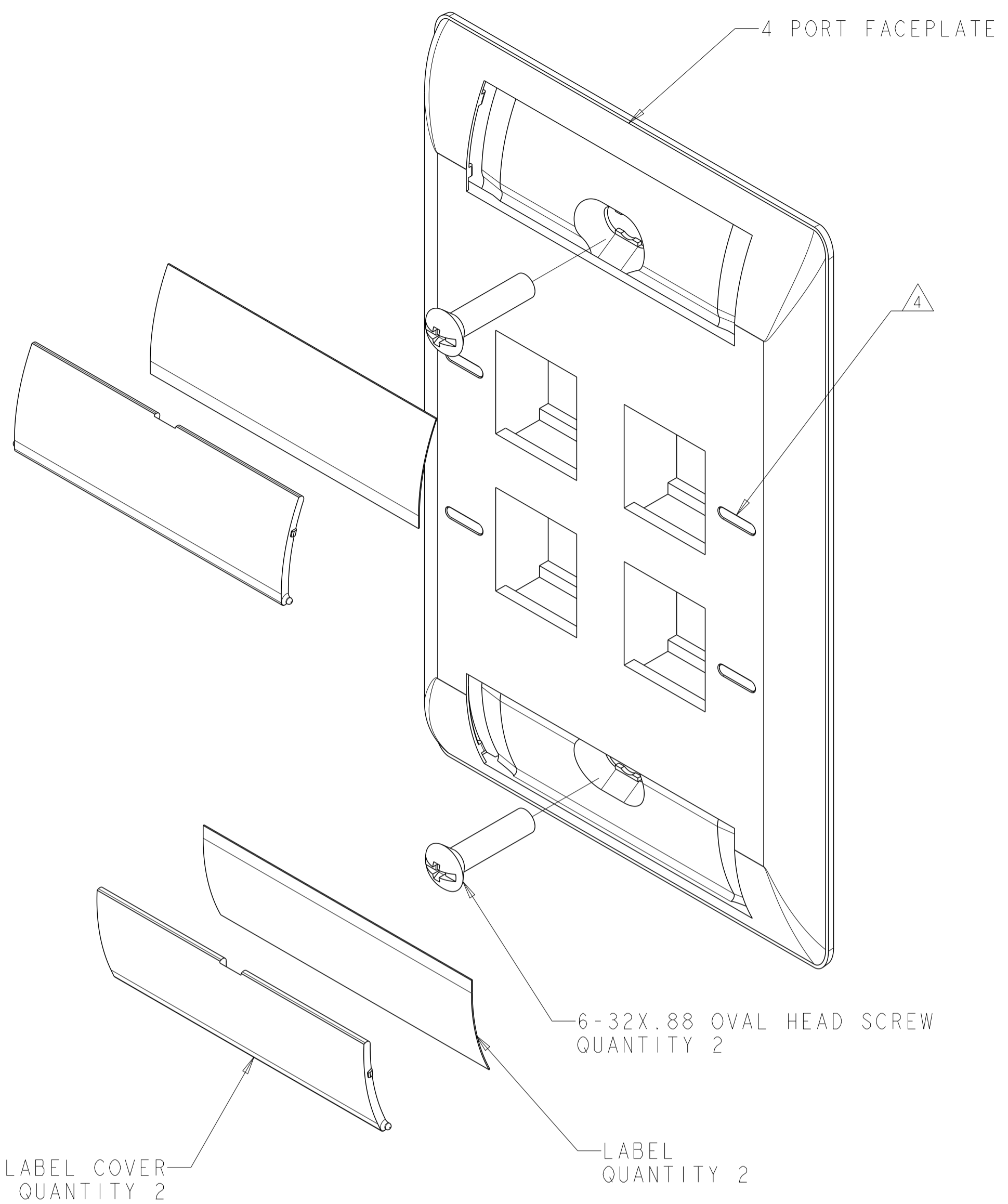
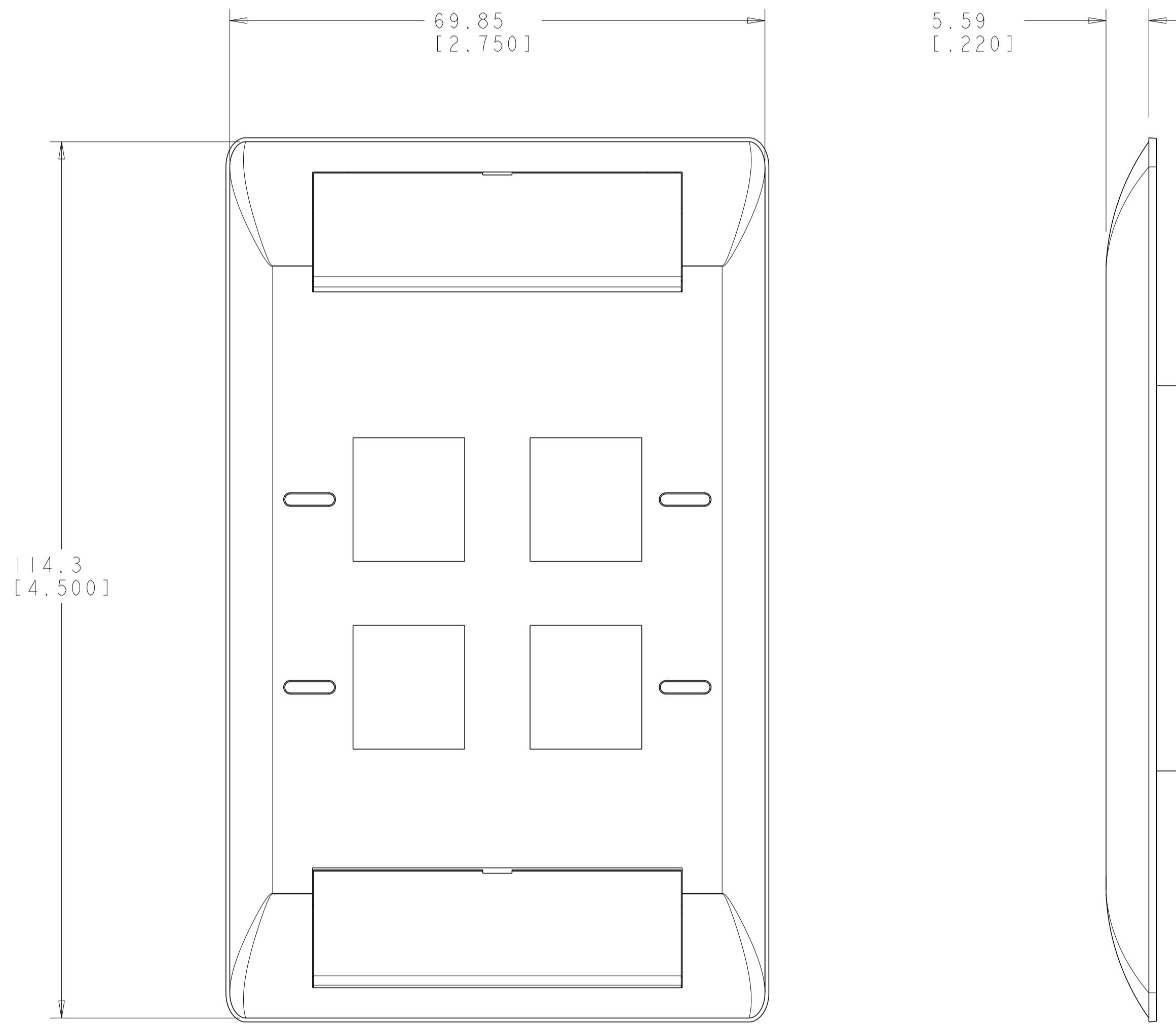


REVISIONS				
P.	LTN.	DESCRIPTION	DATE	APP'D.
A		RLSD; ECO-10-002954	09FEB2010	GG RA
B		REV; 40026397MCO	11NOV2015	GG LS



- ⚠ DIMENSIONS ARE NOMINAL UNLESS OTHERWISE SPECIFIED.
- ⚠ MATERIAL:
FACEPLATE - POLYCARBONATE MOLDING COMPOUND. SEE TABLE FOR COLORS.
SCREWS - ZINC PLATED CARBON STEEL.
LABEL COVER - POLYCARBONATE MOLDING COMPOUND, CLEAR.
LABEL - WHITE INDEX PAPER.
- 3. THIS KIT SHIPPED NOT ASSEMBLED.
- ⚠ MOLD OVER ICON FEATURE.



ALPINE WHITE	1-2111011-3
ELECTRIC IVORY	1-2111011-1
NEMA GRAY	2111011-4
BLACK	2111011-2
LIGHT ALMOND	2111011-1
COLOR	PART NUMBER

THIS DRAWING IS A CONTROLLED DOCUMENT.

DIMENSIONS: MM [INCHES]	TOLERANCES UNLESS OTHERWISE SPECIFIED:	0 PLC ±	1 PLC ±	2 PLC ±	3 PLC ±	4 PLC ±	ANGLES ±	FINISH ±
		⚠	⚠	⚠	⚠	⚠	⚠	⚠

MATERIAL: ⚠

DATE: 31MAR2009
 DWN: G. GARRETT
 CHK: R. ASHBY
 APVD: R. ASHBY
 PRODUCT SPEC: -
 APPLICATION SPEC: -
 WEIGHT: -
 CUSTOMER DRAWING

NAME: KIT, FACEPLATE, COMMERCIAL, SINGLE GANG, 4 PORT

SIZE: A1
 CAGE CODE: 00779
 DRAWING NO: C=2111011
 RESTRICTED TO: -

SCALE: 2:1 SHEET 1 OF 1 REV B

TE Connectivity