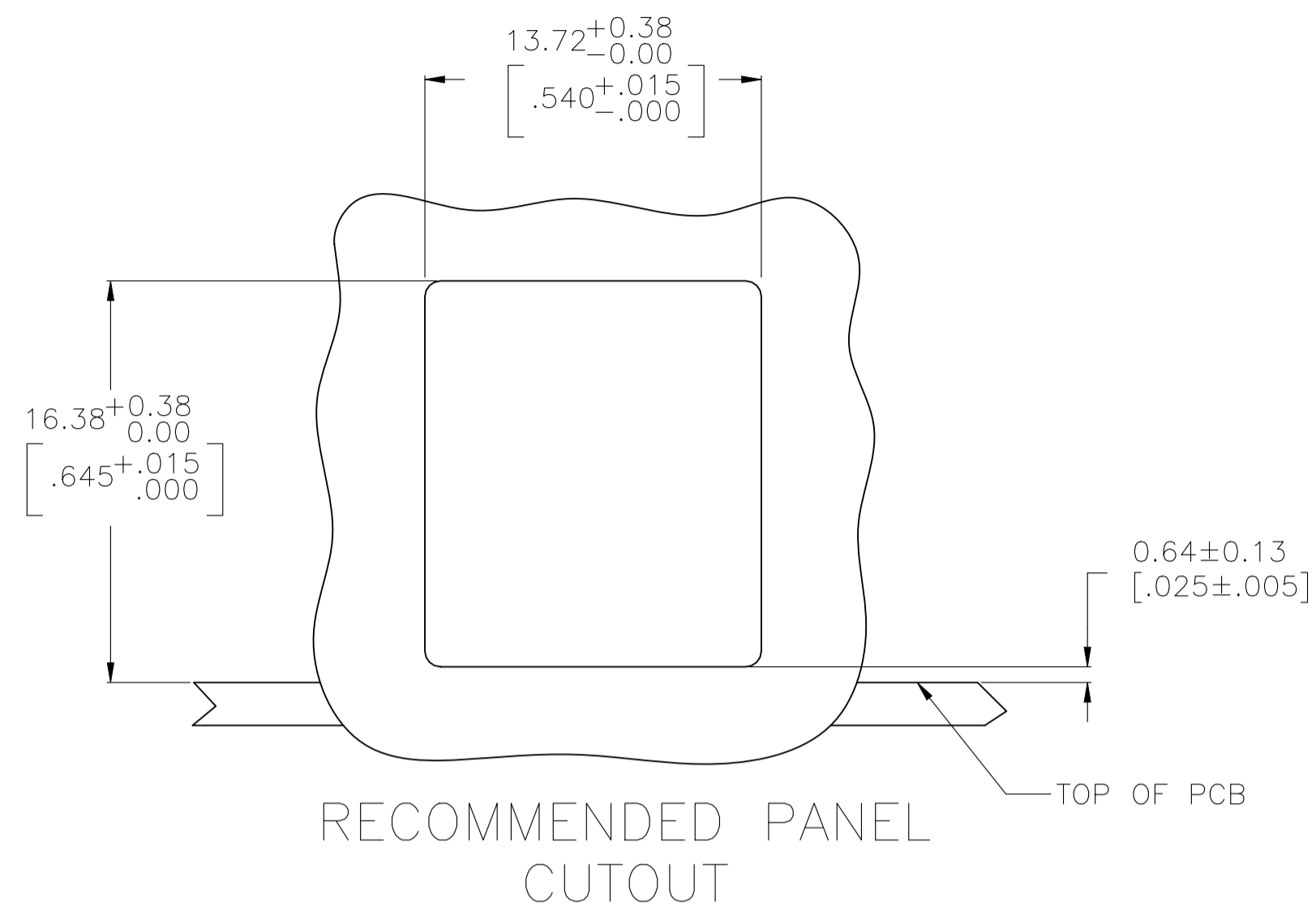
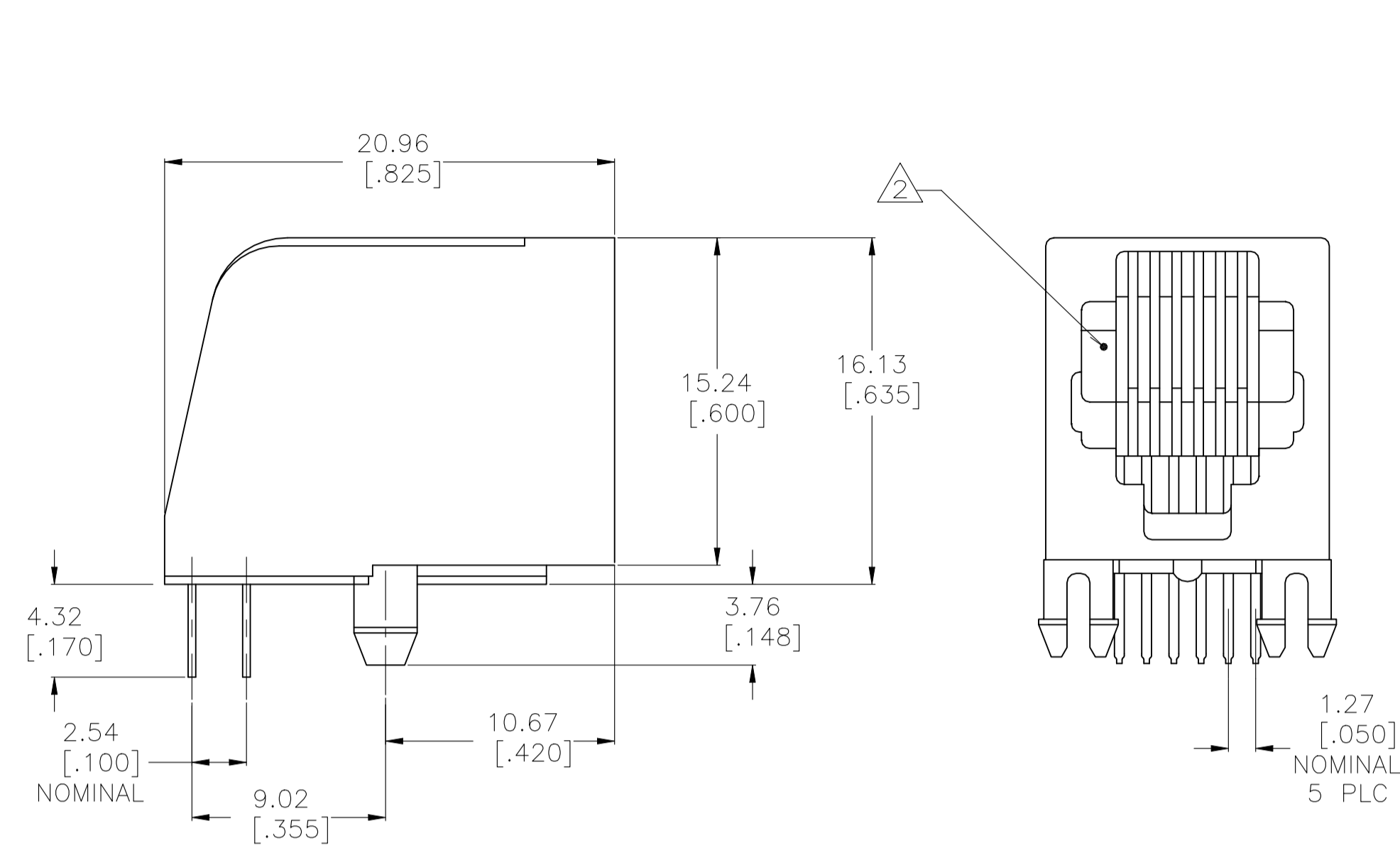
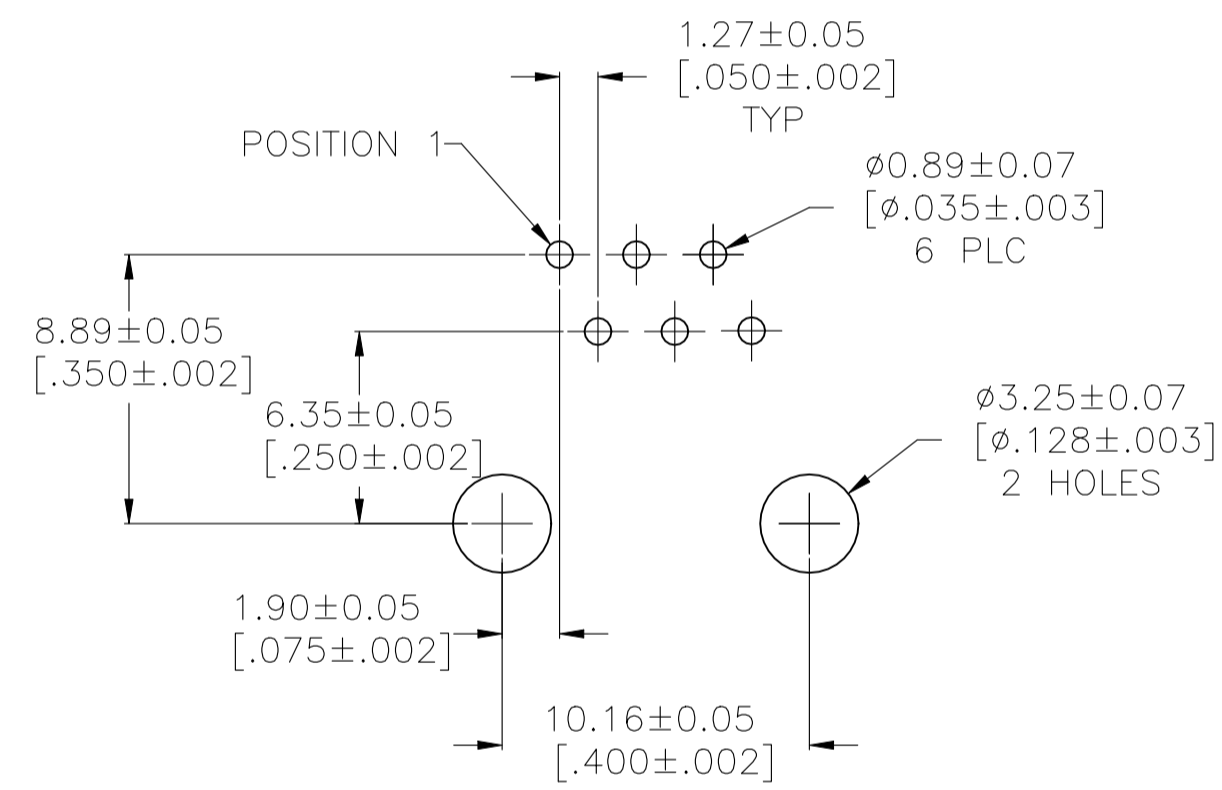
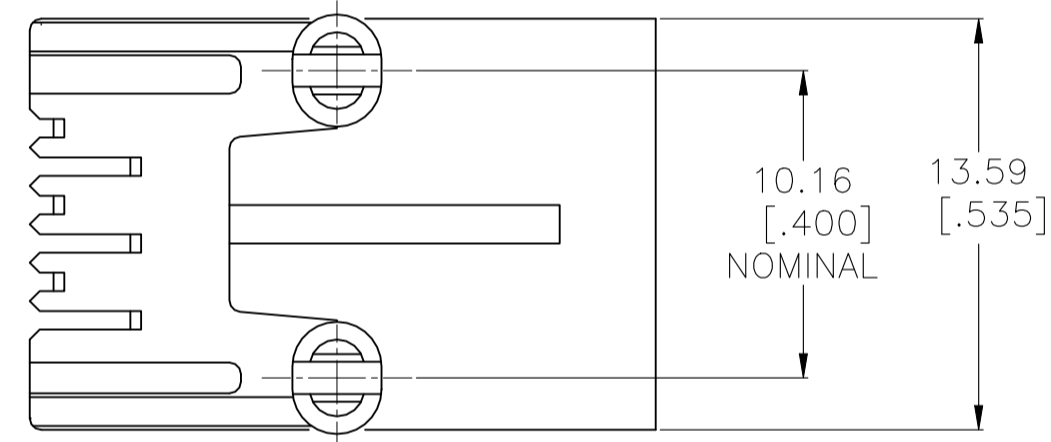


REVISIONS				
REV	DATE	DESCRIPTION	BY	APP'D
D	27JUL2023	REVISED AS PER ECN-23-226763	JK	WH



- MATERIAL: HOUSING - PBT POLYESTER, COLOR: BLACK
 TERMINAL -- 0.35 [.0138] THICK PHOS BRONZE
 PLATED IWTH 1.27 μm [.000050] THICK HARD GOLD
 IN LOCALIZED GOLD PLATE AREA AND 3.81 μm [.000150]
 THICK MATTE TIN IN SOLDER AREA OVER 1.27 μm
 [.000050] THICK NICKEL UNDERPLATE
- CAVITY CONFORMS TO FCC RULES AND
 REGULATIONS PART 68 AND REA BULLETIN
 345-81, PE-76 SPECIFICATION FOR MODULAR
 TELEPHONE HARDWARE.
- DIMENSIONS ARE MAXIMUM UNLESS OTHERWISE SHOWN



RECOMMENDED PRINTED CIRCUIT BOARD LAYOUT COMPONENT SIDE SHOWN

TUBE	6	5520470-4
TRAY	6	5520470-3
PACKAGE	TERMINALS	PART NUMBER

THIS DRAWING IS A CONTROLLED DOCUMENT.		DIN	30AUG2007	L.A.MAYER	
		CHK	30AUG2007	P.RECCE	
		APP'D	30AUG2007	S.FLICKINGER	
		NAME	MODULAR JACK ASSEMBLY, SIDE ENTRY, 6 POSITION, FLANGELESS		
		PRODUCT SPEC	108-1163		
		APPLICATION SPEC	114-2048		
		SIZE	CAGE CODE	DRAWING NO	RESTRICTED TO
		WEIGHT	0.000000	A1 00779	5520470
		CUSTOMER DRAWING	SCALE	4:1	SHEET 1 of 1 REV D