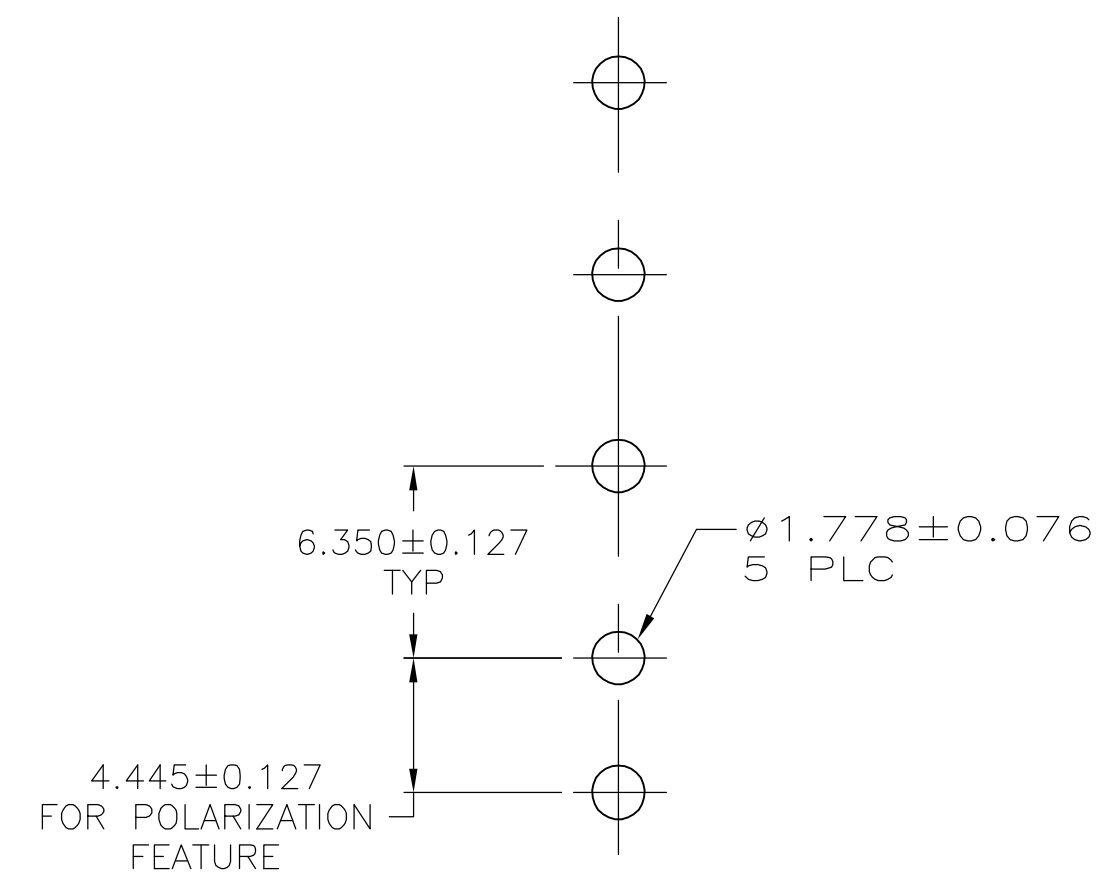
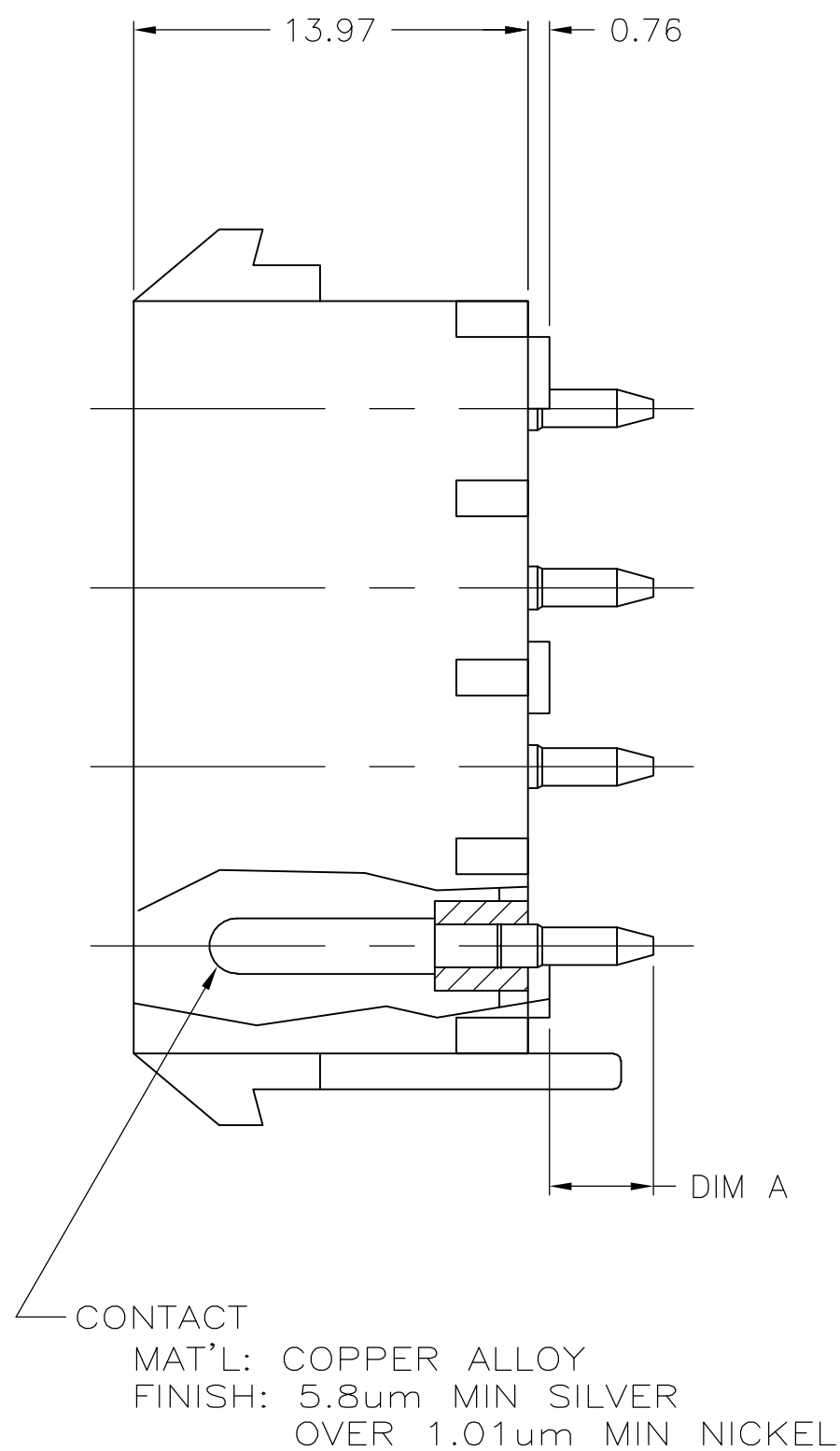
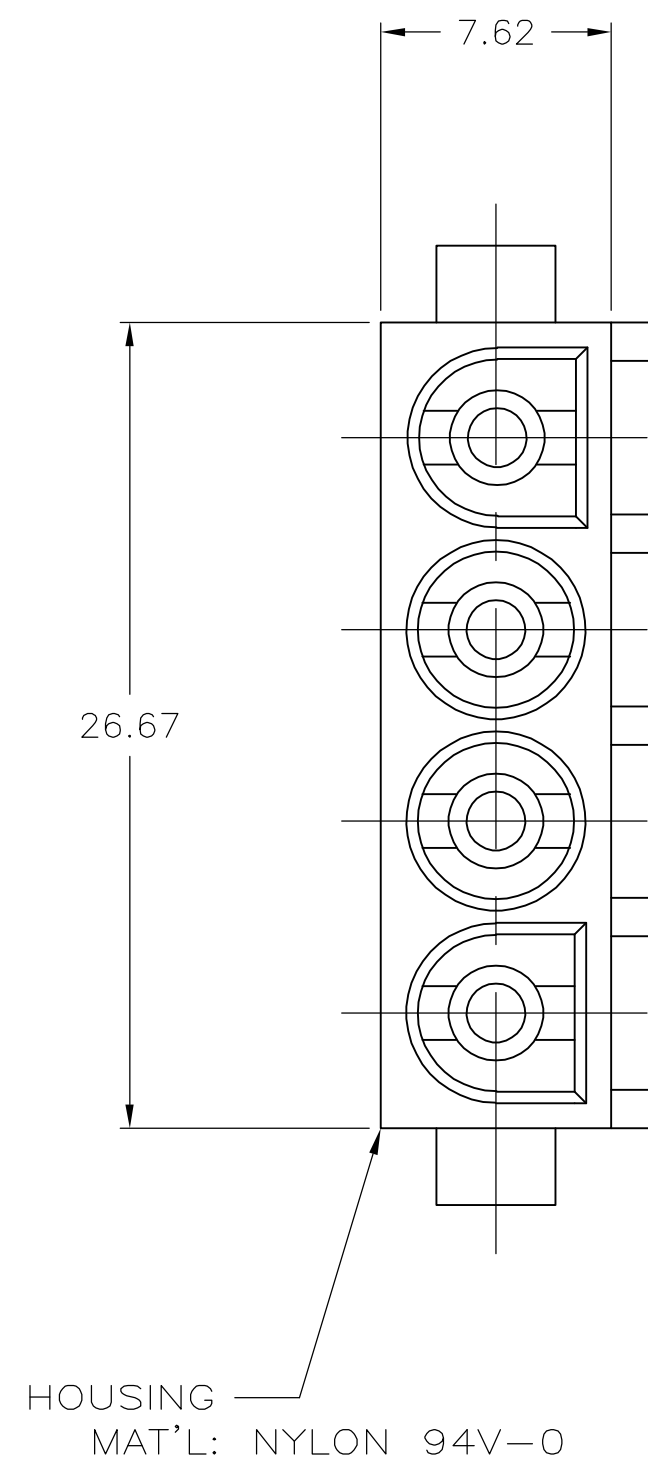


THIS DRAWING IS UNPUBLISHED. RELEASED FOR PUBLICATION
 © COPYRIGHT BY TYCO ELECTRONICS CORPORATION. ALL RIGHTS RESERVED.

LOC		DIST		REVISIONS			
P	LTR	DESCRIPTION		DATE	DWN	APVD	
		D		REVISED PER ECO-05-15915	12/14/05	SS	GS

NOTES:

- MATES WITH MATE-N-LOK II PLUG CONNECTOR USING PN 194211-1 OR 194213-1 SOCKET CONTACTS.
- PIN CONTACTS ARE LUBRICATED.
- ALL DIMENSIONS ARE REFERENCE ONLY EXCEPT PC BOARD LAYOUT.



RECOMMENDED LAYOUT FOR
1.57 THICK PC BOARD

4.32	194234-2
3.68	194234-1
DIM A	PART NO.

THIS DRAWING IS A CONTROLLED DOCUMENT.		DWN	21/FEB/97	tyco Electronics		Tyco Electronics Corporation	
DIMENSIONS: mm		RNP	CHK			Harrisburg, PA 17105-3608	
TOLERANCES UNLESS OTHERWISE SPECIFIED:		APVD	NAME	HIGH CURRENT HEADER ASSY, VERTICAL PIN, LUBRICATED, MATE-N-LOK II, 4 CIRCUIT			
0 PLC ± -		PRODUCT SPEC	APPLICATION SPEC	SIZE	CAGE CODE	DRAWING NO	RESTRICTED TO
1 PLC ± -		WEIGHT	SCALE	A2	00779	C=194234	-
2 PLC ± -		CUSTOMER DRAWING	SHEET	4:1		1 of 1	REV
3 PLC ± -			REV			D	
4 PLC ± -							
ANGLES ± -							
FINISH							