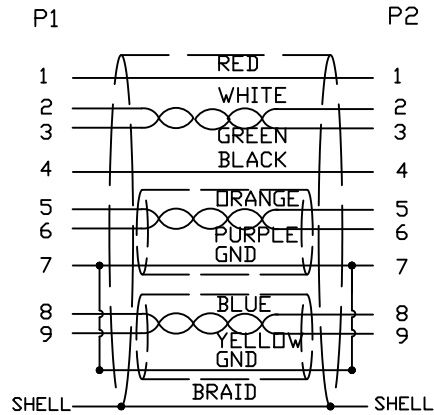


1.Wiring Diagram.



- 2.Cable test condition :
- Open / Short : 100%
 - Insulation resistance : 5M ohms
 - Contact resistance : 2 ohm
 - Hipot : DC 300V / 1 sec
- 3.Each pcs with PE polybag

8	COPPER	COPPER FOIL 20*40MM	1	
7	COPPER	COPPER FOIL 15*40MM	1	
6	CORE	RH14.2*28.5*6.35mm	2	
5	CONN	USB3.0 B MAILE G/F BLUE	1	P2
4	PVC	45P PVC BLACK OVERMOLD	25g	
3	PE	LLDPE 500026 6201	16g	
2	CONN	USB3.0 A/M G/F BLUE	1	P1
1	CABLE	《28AWG (7/0.12TC) *IP+D(7/0.10TC)+AL+M》 *2+28AWG (7/0.12TC) *IP+24AWG(7/0.2TC)*2C+A+D+B (96/0.12AM) OD5.5 BLACK	1	1000mm
NO.	PART NO.	DESCRIPTION	QTY	UNIT/REF
BILL OF MATERIAL				

A		22/08/2022	
CnC Tech,LLC		TITLE	USB3.0 A/M-B/M W/FERRITES.1M
		DWN NO.	103-1030-BL-F0100
DRAWN	EDWINLAI	DATE	22/08/2022
CHECKED	WENG	DATE	22/08/2022
APPROVAL		CUSTOMER P/N:	
		CUSTOMER:	
		SHEET 1 OF 1	