

TC1793

AP32163

Design Guideline for TC1793 Microcontroller Board Layout

Application Note

V1.2 2012-02

Microcontrollers

Edition 2012-02

**Published by
Infineon Technologies AG
81726 Munich, Germany**

**© 2012 Infineon Technologies AG
All Rights Reserved.**

LEGAL DISCLAIMER

THE INFORMATION GIVEN IN THIS APPLICATION NOTE IS GIVEN AS A HINT FOR THE IMPLEMENTATION OF THE INFINEON TECHNOLOGIES COMPONENT ONLY AND SHALL NOT BE REGARDED AS ANY DESCRIPTION OR WARRANTY OF A CERTAIN FUNCTIONALITY, CONDITION OR QUALITY OF THE INFINEON TECHNOLOGIES COMPONENT. THE RECIPIENT OF THIS APPLICATION NOTE MUST VERIFY ANY FUNCTION DESCRIBED HEREIN IN THE REAL APPLICATION. INFINEON TECHNOLOGIES HEREBY DISCLAIMS ANY AND ALL WARRANTIES AND LIABILITIES OF ANY KIND (INCLUDING WITHOUT LIMITATION WARRANTIES OF NON-INFRINGEMENT OF INTELLECTUAL PROPERTY RIGHTS OF ANY THIRD PARTY) WITH RESPECT TO ANY AND ALL INFORMATION GIVEN IN THIS APPLICATION NOTE.

Information

For further information on technology, delivery terms and conditions and prices, please contact the nearest Infineon Technologies Office (www.infineon.com).

Warnings

Due to technical requirements, components may contain dangerous substances. For information on the types in question, please contact the nearest Infineon Technologies Office.

Infineon Technologies components may be used in life-support devices or systems only with the express written approval of Infineon Technologies, if a failure of such components can reasonably be expected to cause the failure of that life-support device or system or to affect the safety or effectiveness of that device or system. Life support devices or systems are intended to be implanted in the human body or to support and/or maintain and sustain and/or protect human life. If they fail, it is reasonable to assume that the health of the user or other persons may be endangered.

Device1

Revision History: V1.2, 2012-02

Previous Version: V1.1, 2011-11

Page	Subjects (major changes since last revision)
10	Fig-4 changed.

We Listen to Your Comments

Is there any information in this document that you feel is wrong, unclear or missing?
 Your feedback will help us to continuously improve the quality of this document.
 Please send your proposal (including a reference to this document) to:

mcdocu.comments@infineon.com



Table of Contents

1	Overview	5
1.1	General Information	5
1.2	Pinout of TC1793	5
2	PCB Design Recommendations	5
2.1	Decoupling	8
2.2	Decoupling Capacitor List:	11

- ERAY Pins
- Supply Pins

Route these signals with adjacent ground reference and avoid signal and reference layer changes.

Route them as short as possible.

Routing ground on each side can help to reduce coupling to other signals.

- For unused **“Output, Supply, Input and I/O”** pins following points must be considered:

1. Supply Pins (Modules)	<ul style="list-style-type: none"> • See the User’s Manual.
2. I/O-Pins	<ul style="list-style-type: none"> • Should be configured as output and driven to static low in the weakest driver mode in order to improve EMI behaviour. Configuration of the I/O as input with pullup is also possible. • Solderpad should be left open and not be connected to any other net (layout isolated PCB-pad only for soldering).
3. Output Pins including LVDS	<ul style="list-style-type: none"> • Should be driven static in the weakest driver mode. • If static output level is not possible, the output driver should be disabled. • Solderpad should be left open and not be connected to any other net (layout isolated PCB-pad only for soldering).
4. Input Pins without internal pull device	<ul style="list-style-type: none"> • For pins with alternate function see product target specification to define the necessary logic level. • Should be connected with high-ohmic resistor to GND (range 10k – 1Meg) wherever possible. No impact on design is however expected if a direct connection to GND is made. • Groups of 8 pins can be used to reduce number of external pull-up/down devices (keep in mind leakage current).
5. Input Pins with internal pull device	<ul style="list-style-type: none"> • For pins with alternate function see product specification to define the necessary logic level • Should be configured as pull-down and should be activated static low (exception: if the User’s Manual requires high level for alternate functions). No impact on design is expected if static high level is activated. • Solderpad should not be connected to any other net (isolated PCB-pad only for soldering)

- The ground system must be designed as follows:
 - Separate analog and digital grounds.
 - The analog ground must be separated into two groups:
 1. Ground for OSC and PLL (VSSOSC for VDDOSC, VDDOSC3, VDDPF and VDDPF3) as common star point.
 2. Ground for ADC (VSSM for VDDM, VSSMF for VDDMF/VDDAF) as common star point.
- To reduce the radiation / coupling from the oscillator circuit, a separated ground island on the GND layer should be made. This ground island can be connected at one point to the GND layer. This helps to keep noise generated by the oscillator circuit locally on this separated island. The ground connections of the load capacitors and VSSOSC should also be connected to this island. Traces for the load capacitors and Xtal should be as short as possible.

PCB Design Recommendations

- The power distribution from the regulator to each power plane should be made over filters (see Figure 2).
- RC Filters can be inserted in the supply paths at the regulator output and at the branchings to other module supply pins like VDDOSC, VDDOSC3, VDDFL3, VDDPF, VDDPF3, VDDM, VDDMF, VDDAF (see Figure 2). Using inductance or ferrite beads (5 – 10 μH) instead of the resistors can improve the EME behaviour of the circuit and reduce the radiation up to $\sim 10\text{dB}\mu\text{V}$ on the related supply net.
- OCDS must be disabled.
- Select weakest possible driver strengths and slew rates for all I/Os (see Scalable Pads AppNote AP32111).
- Use lowest possible frequency for SYSCLK.
- Avoid cutting the GND plane by via groups. A solid GND plane must be designed.

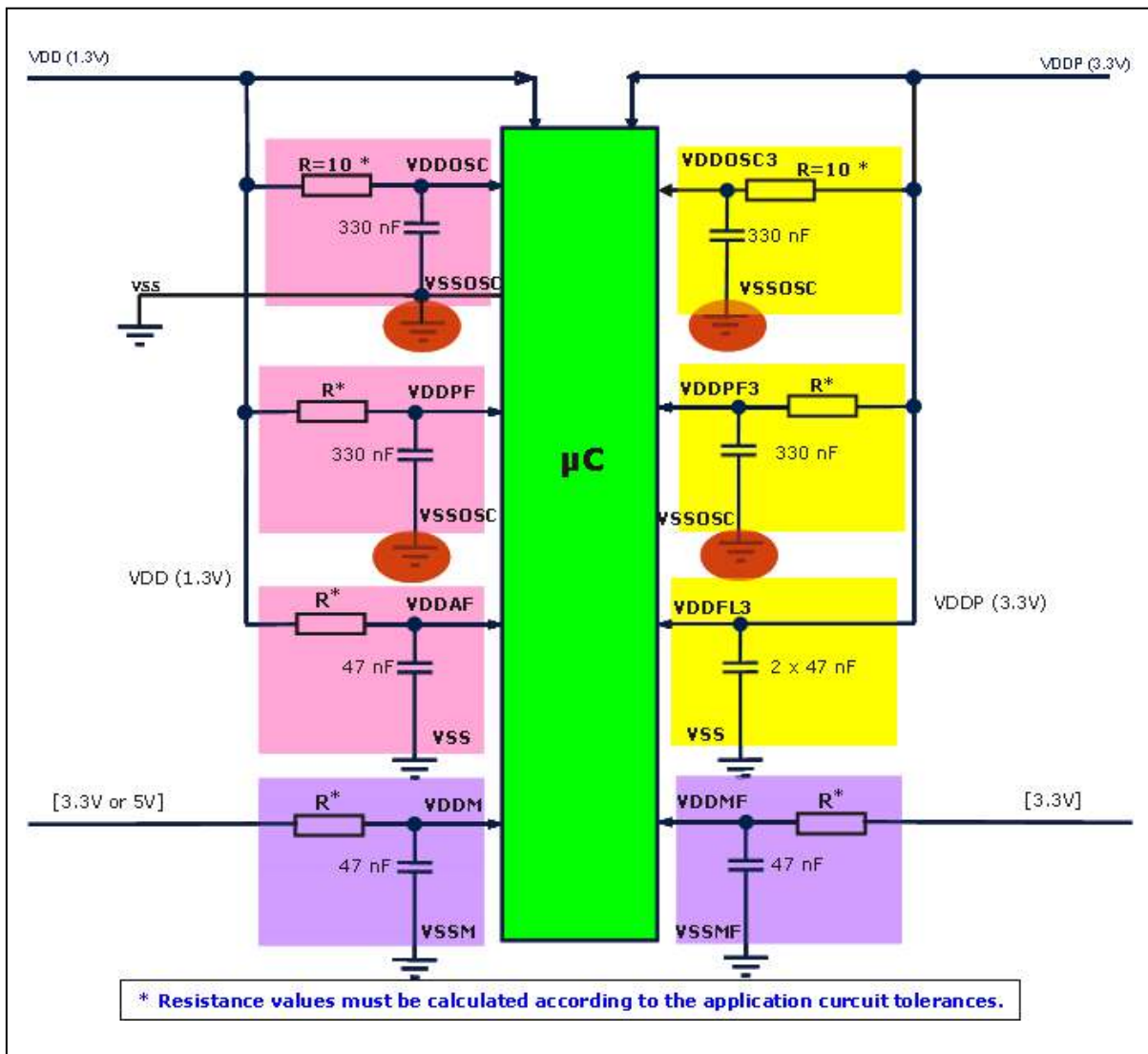


Figure 2 Filtering of VDDOSC, VDDOSC3, VDDFL3, VDDPF, VDDPF3, VDDM, VDDMF, VDDAF supply pins

2.1 Decoupling

- The three supply domains VDD, VDDP and VDDEBU of TC1793 should be decoupled separately (see decoupling placement example in Figure 3).
- Type of capacitors:
 - Values: 47 nF, 100 nF, 330 nF
 - X7R Ceramic Multilayer (low ESR and low ESL)
- All supply pins should be connected first to the dedicated decoupling capacitor and then from the capacitors over vias to the power planes.
- All VSS pins should be connected to the GND.
- The decoupling capacitors should be placed directly under the IC or if necessary, some capacitors can be placed on top layer close to the supply pins of the IC.
- Ground plane on bottom layer can be used to connect the capacitors. If no plane is used, they should be connected with vias to the GND layer.
- Multiple vias should be used at capacitors to get a low impedance connection between capacitors and POWER/GND planes or pins.
- All capacitors must be placed as close as possible to the related supply pin group.

In Figure 3 shown examples are based on device power supply concept and implementation. Alternative implementations are also acceptable and must be evaluated within application by customer.

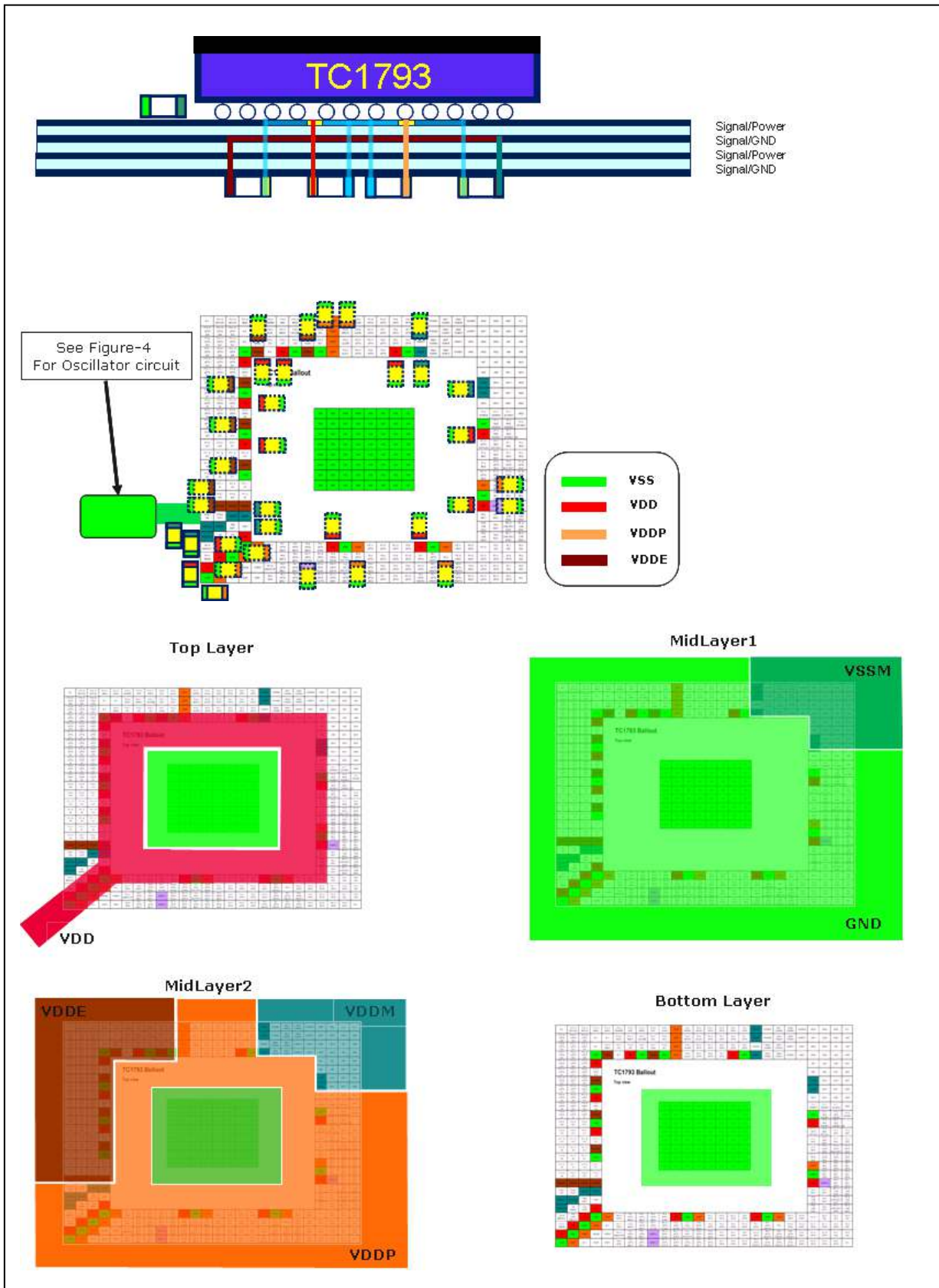


Figure 3 Capacitor Placement Example for Decoupling of TC1793 (BGA-416) on a four layer board

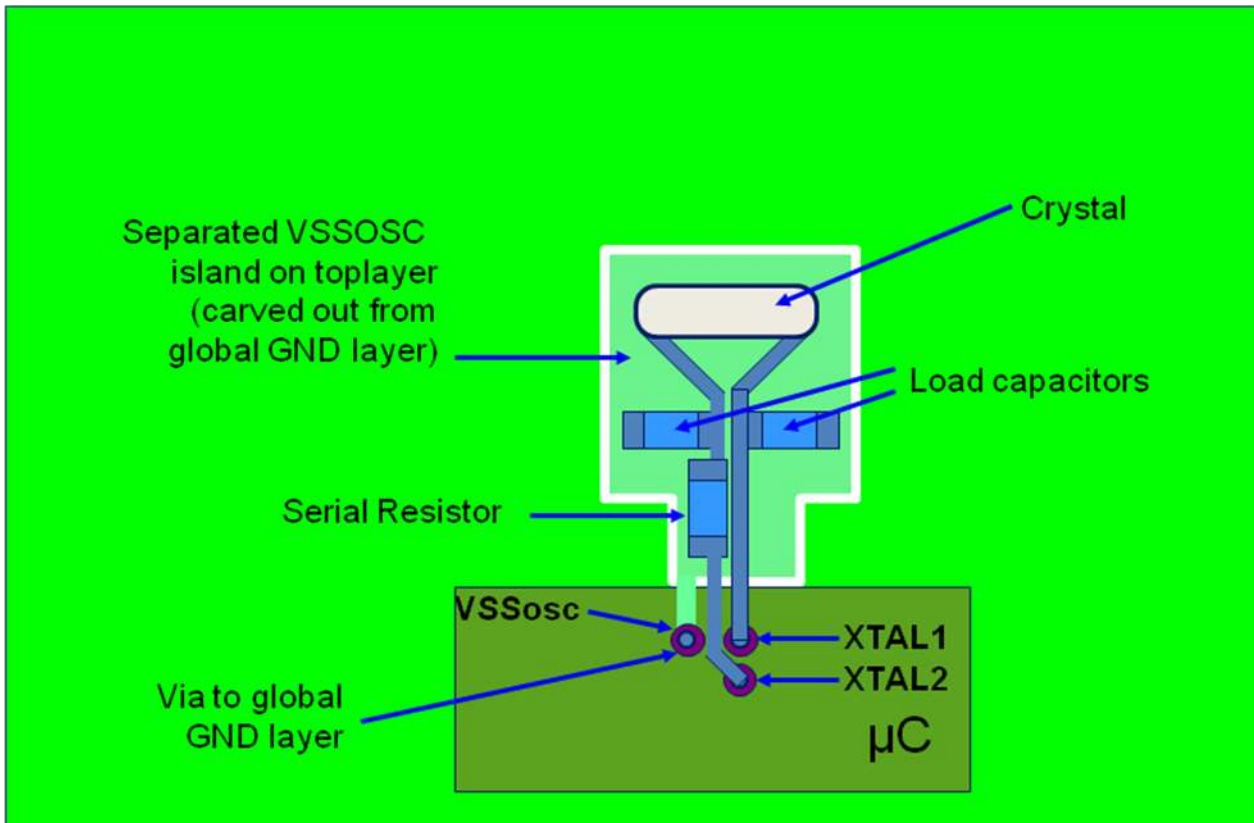


Figure 4 Layout Proposal Oscillator Circuit

2.2 Decoupling Capacitor List:

<u>Capacitor</u>	<u>Supply</u>	<u>Pins(BGA-416)</u>
47 nF	VDD	B26 / C25
47 nF	VDD	D24 / E23
47 nF	VDD	D16
47 nF	VDD	D9
47 nF	VDD	H4
47 nF	VDD	R4
47 nF	VDD	AC11
47 nF	VDD	AC20
47 nF	VDD	AB23
47 nF	VDD	Y23
47 nF	VDD	P23
47 nF	VDDP	A25 / B24
47 nF	VDDP	C23 / D22
47 nF	VDDP	D14
47 nF	VDDP	D7
47 nF	VDDP	K4
47 nF	VDDP	AC16 / AD16
47 nF	VDDP	AE16 / AF16
47 nF	VDDE	H26 / H25
47 nF	VDDE	H24 / H23
47 nF	VDDE	M23
47 nF	VDDE	T23
47 nF	VDDE	Y23
47 nF	VDDE	AC22
47 nF	VDDE	AC18
330 nF	VDDOSC	F26
330 nF	VDDOSC3	E26
47 nF	VDDFL3	H3
47 nF	VDDFL3	A18 / B18
330 nF	VDDPF	G23
330 nF	VDDPF3	G24
47 nF	VDDM	W4
47 nF	VDDMF	AE9
47 nF	VDDAF	AC9

Note: This application note contains design recommendations from Infineon Technologies point of view. Effectiveness and performance of the final application implementation must be validated by customer, based on dedicated implementation choices.

www.infineon.com

Published by Infineon Technologies AG