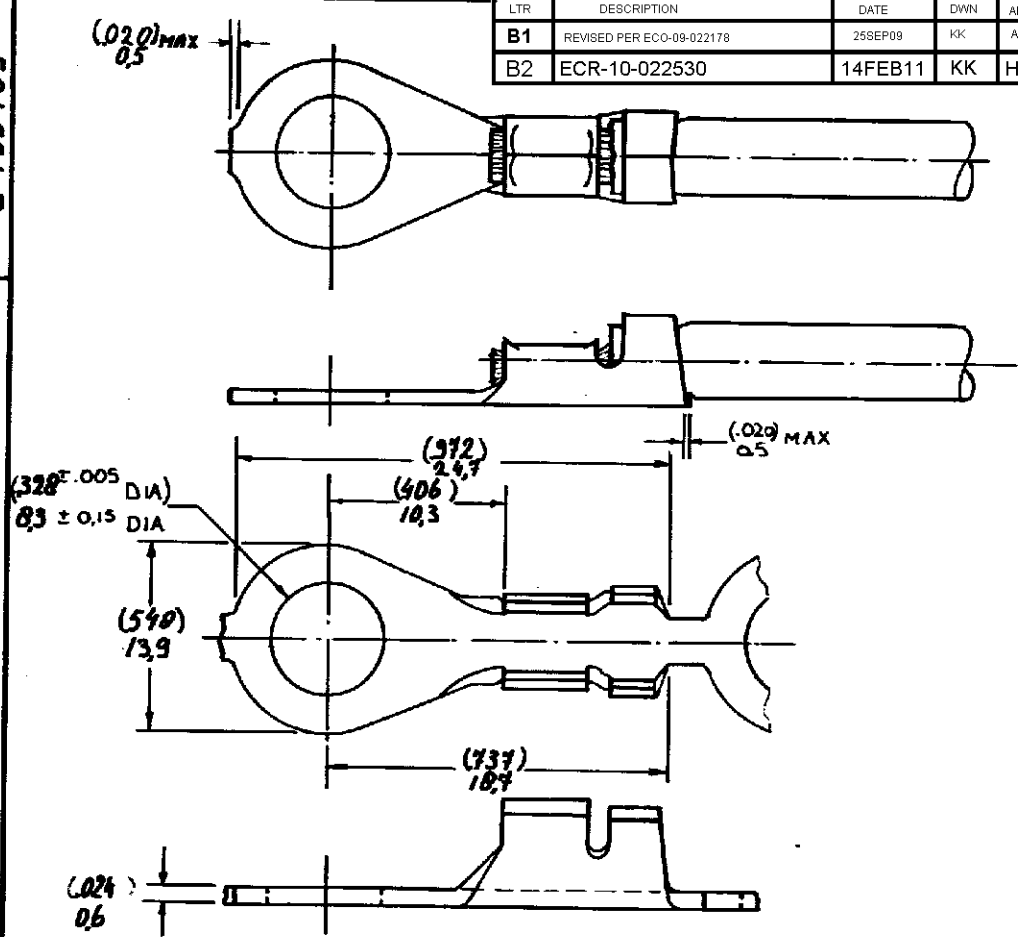


DRAWING MADE IN AMERICAN PROJECTION

REVISIONS

LTR	DESCRIPTION	DATE	DWN	APVD
B1	REVISED PER ECO-09-022178	25SEP09	KK	AEG
B2	ECR-10-022530	14FEB11	KK	HMR

NUMBER C-160789



- ⚠ REEL WITH PAPER COVER
- ⚠ OBSOLETE PARTS: OBSOLETE CIS STREAMLINING PER D.RENAUD/D.SINISI
- ⚠ OBSOLETE

DIMENSIONS IN INCHES DO NOT SCALE PRINT

160789-5	PH. BRONZE	-H-	⚠
160789-4	BRASS	-H-	⚠
160789-3	PHOSPHOR BR.	-H-	
160789-2	BRASS	TIN PLATED	
460780-4	BRASS	-H-	

ORDER NO.	MATERIAL	PLATING
DATE	S/ DATE	DE
DATE	DATE	DATE
CHK	DATE	AE
KK	25/09/09	

CUSTOMER COPY FOR REFERENCE ONLY

©1979 BY TE - HOLLAND N.V. ALL RIGHTS RESERVED TE PRODUCTS COVERED BY PATENTS AND/OR PATENTS PENDING.

TE
TE Connectivity

WIRE RANGE	RESUL. RANGE	FIRST USED
10-25	(100 - 300)	
	(2.34 - 3.81)	

SCALE	LOC	SIZE	NO	REV
N.T.S.	H	A	C-160789	B2

NAME: RING TONGUE