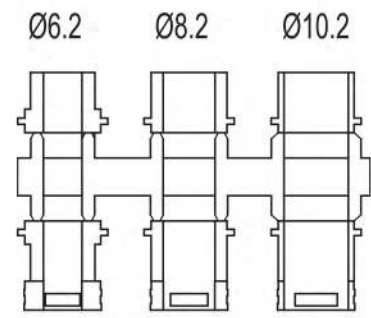
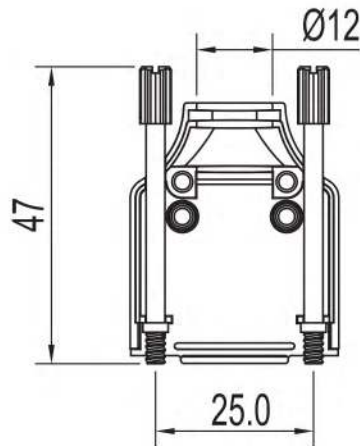
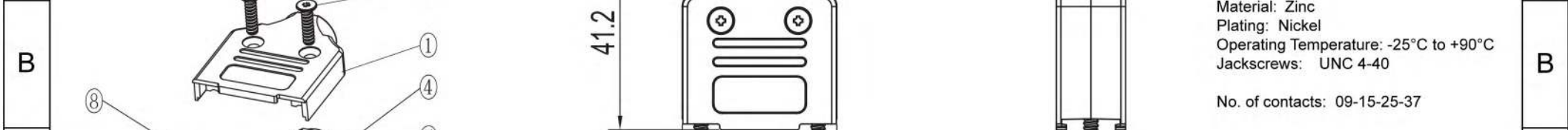
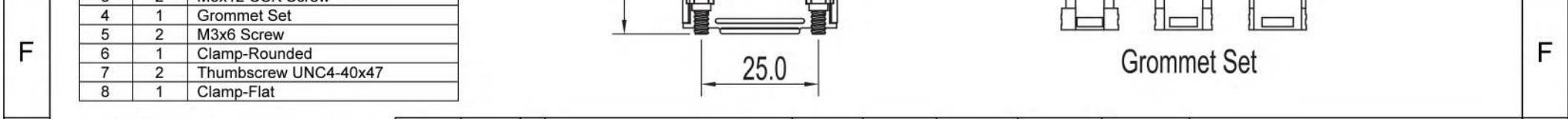
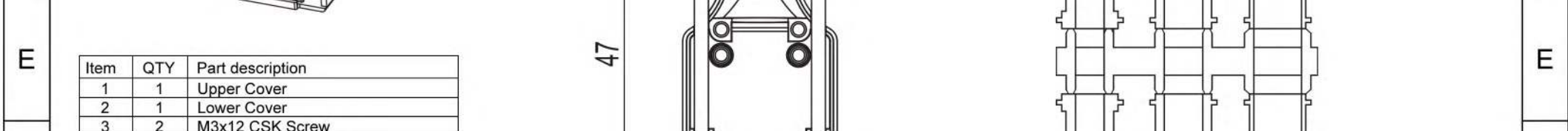
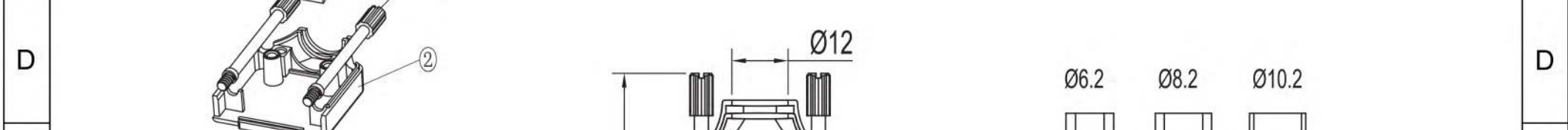
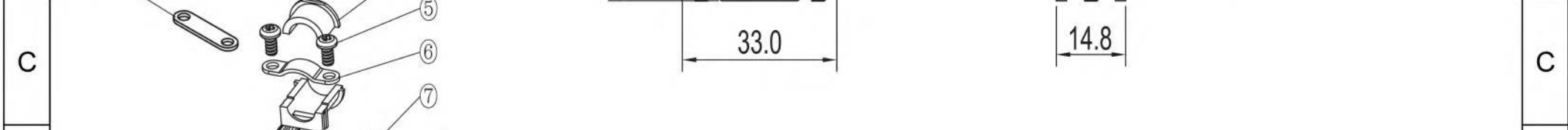


TECHNICAL SPECIFICATIONS
 Material: Zinc
 Plating: Nickel
 Operating Temperature: -25°C to +90°C
 Jackscrews: UNC 4-40
 No. of contacts: 09-15-25-37



Grommet Set

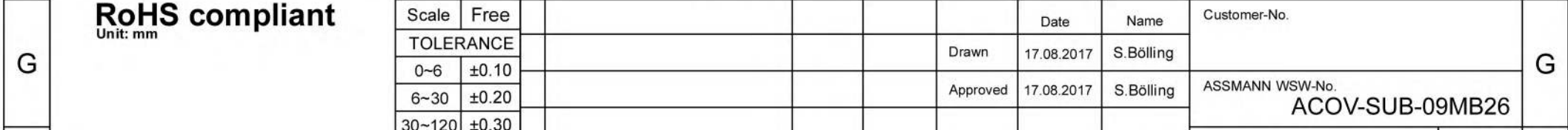
Item	QTY	Part description
1	1	Upper Cover
2	1	Lower Cover
3	2	M3x12 CSK Screw
4	1	Grommet Set
5	2	M3x6 Screw
6	1	Clamp-Rounded
7	2	Thumbscrew UNC4-40x47
8	1	Clamp-Flat



RoHS compliant
 Unit: mm

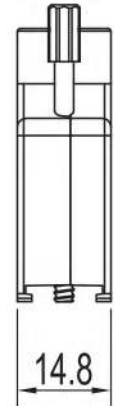
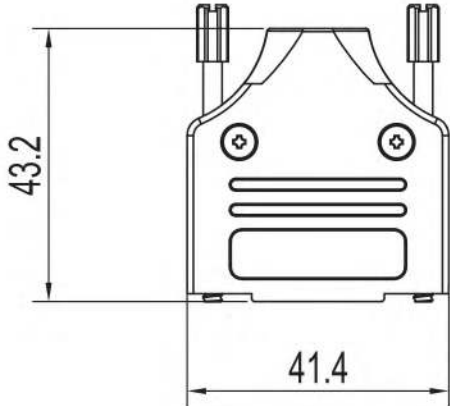
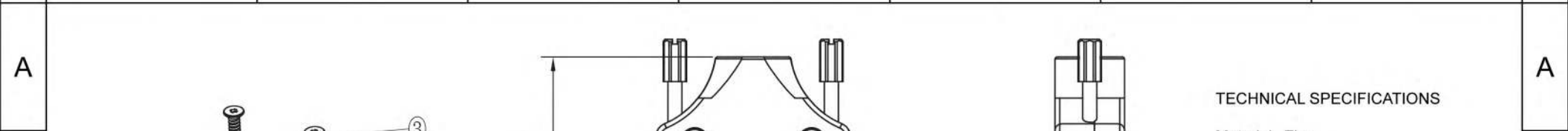
Scale	Free				Date	Name	Customer-No.	
TOLERANCE					Drawn	17.08.2017	S.Bölling	
0~6	±0.10				Approved	17.08.2017	S.Bölling	
6~30	±0.20							
30~120	±0.30							
120~400	±0.50							
DIM	Tol							
Angle	±1°	Ⓞ	Drawn	17.08.2017				S.Bölling
Angle	Tol	Id.	Modification	Date				Name

Customer-No.
 ASSMANN WSW-No.
ACOV-SUB-09MB26

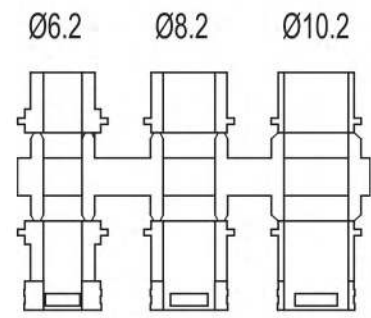
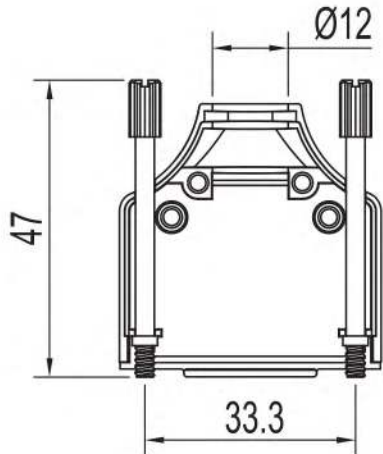
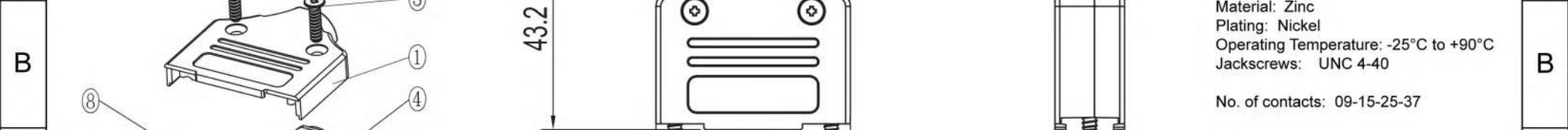


Drawing-No.
ASS_5267_CO rev00
 Replace
 Sheet 1/4

1 2 3 4 5 6 7

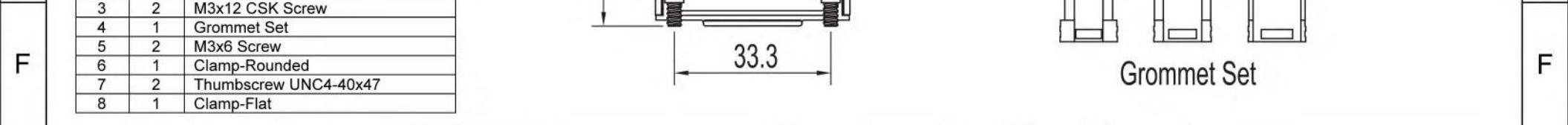
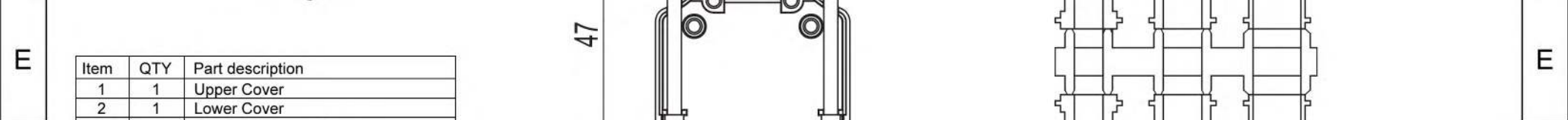
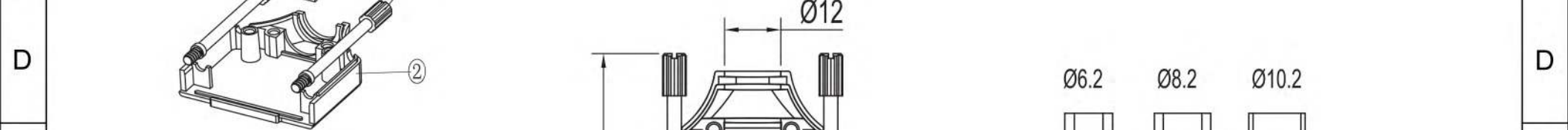
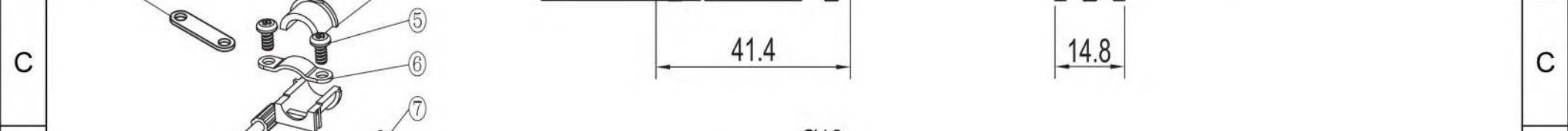


TECHNICAL SPECIFICATIONS
 Material: Zinc
 Plating: Nickel
 Operating Temperature: -25°C to +90°C
 Jackscrews: UNC 4-40
 No. of contacts: 09-15-25-37



Grommet Set

Item	QTY	Part description
1	1	Upper Cover
2	1	Lower Cover
3	2	M3x12 CSK Screw
4	1	Grommet Set
5	2	M3x6 Screw
6	1	Clamp-Rounded
7	2	Thumbscrew UNC4-40x47
8	1	Clamp-Flat

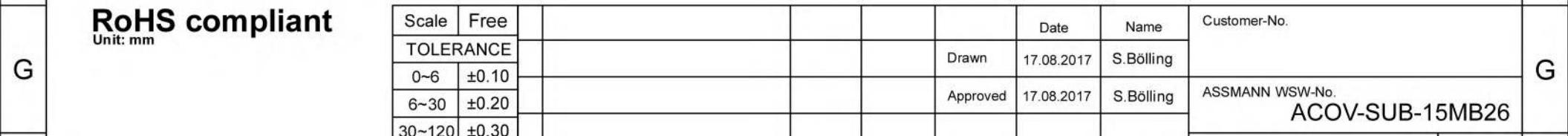


RoHS compliant
 Unit: mm

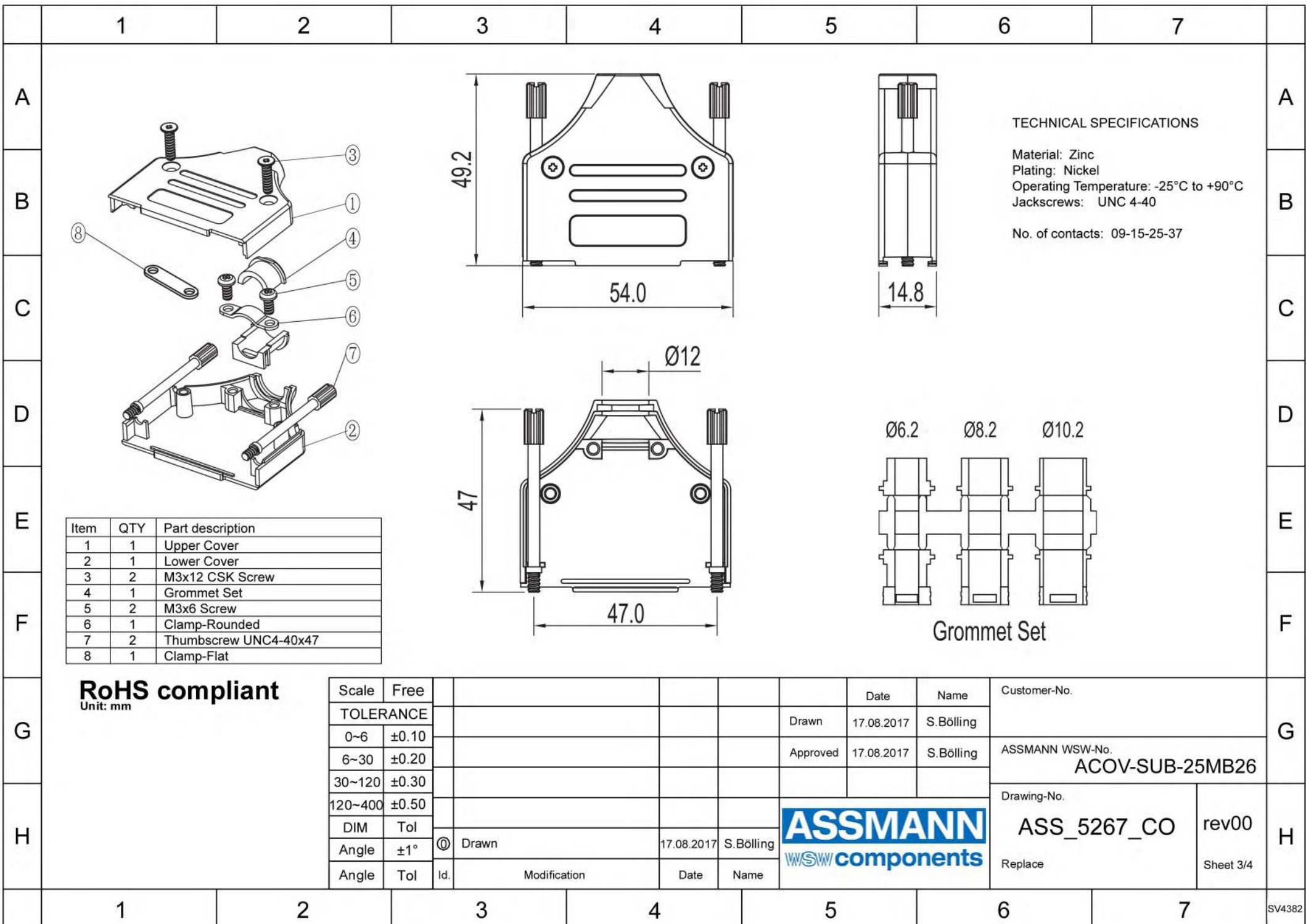
Scale	Free				Date	Name	Customer-No.	
TOLERANCE					Drawn	17.08.2017	S.Bölling	
0~6	±0.10				Approved	17.08.2017	S.Bölling	
6~30	±0.20							
30~120	±0.30							
120~400	±0.50							
DIM	Tol							
Angle	±1°	Ⓢ	Drawn	17.08.2017				S.Bölling
Angle	Tol	Id.	Modification	Date				Name

ASSMANN WSW-No.
ACOV-SUB-15MB26

Drawing-No.
ASS_5267_CO rev00
 Sheet 2/4



1 2 3 4 5 6 7



TECHNICAL SPECIFICATIONS

Material: Zinc
 Plating: Nickel
 Operating Temperature: -25°C to +90°C
 Jackscrews: UNC 4-40

No. of contacts: 09-15-25-37

Item	QTY	Part description
1	1	Upper Cover
2	1	Lower Cover
3	2	M3x12 CSK Screw
4	1	Grommet Set
5	2	M3x6 Screw
6	1	Clamp-Rounded
7	2	Thumbscrew UNC4-40x47
8	1	Clamp-Flat

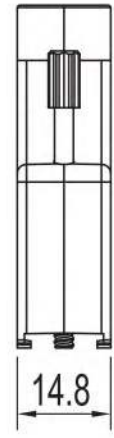
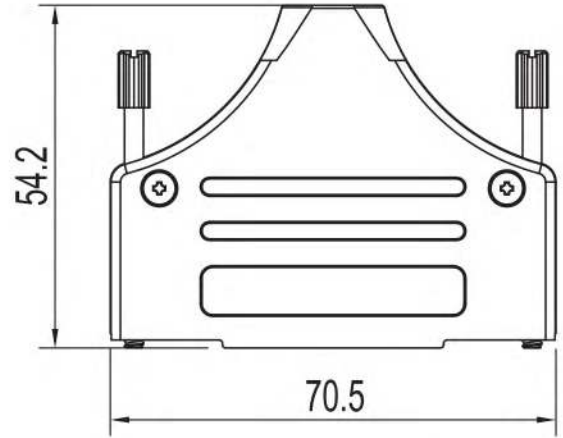
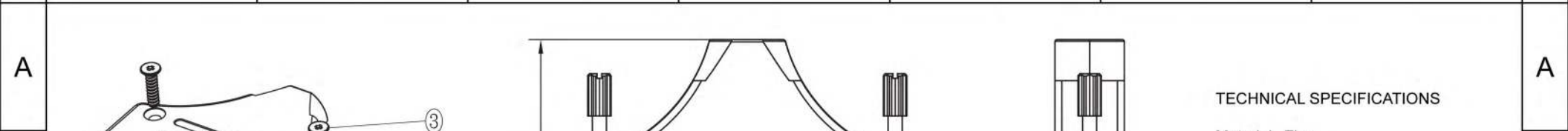
RoHS compliant
 Unit: mm

Scale	Free				Date	Name	Customer-No.	
TOLERANCE					Drawn	17.08.2017	S.Bölling	
0~6	±0.10				Approved	17.08.2017	S.Bölling	
6~30	±0.20							
30~120	±0.30							
120~400	±0.50							
DIM	Tol							
Angle	±1°	Ⓢ	Drawn	17.08.2017				S.Bölling
Angle	Tol	Id.	Modification	Date				Name

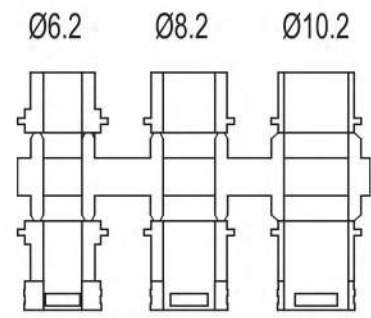
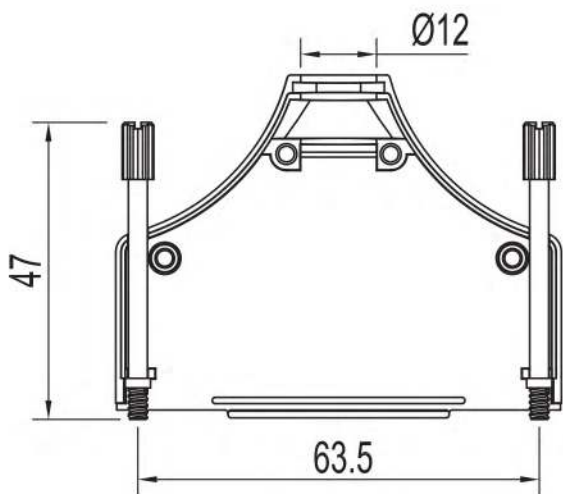
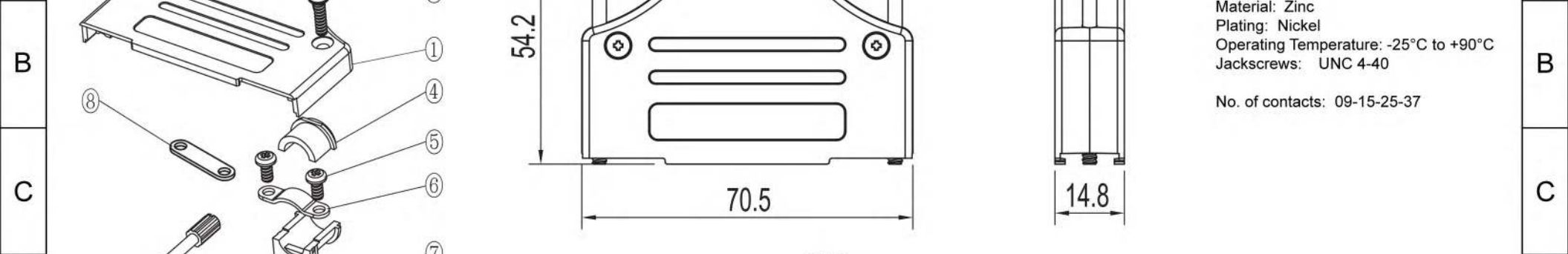
ASSMANN WSW-No.
ACOV-SUB-25MB26

Drawing-No.
ASS_5267_CO rev00
 Replace Sheet 3/4

1 2 3 4 5 6 7



TECHNICAL SPECIFICATIONS
 Material: Zinc
 Plating: Nickel
 Operating Temperature: -25°C to +90°C
 Jackscrews: UNC 4-40
 No. of contacts: 09-15-25-37



Grommet Set

Item	QTY	Part description
1	1	Upper Cover
2	1	Lower Cover
3	2	M3x12 CSK Screw
4	1	Grommet Set
5	2	M3x6 Screw
6	1	Clamp-Rounded
7	2	Thumbscrew UNC4-40x47
8	1	Clamp-Flat

G	RoHS compliant Unit: mm		Scale	Free				Date	Name	Customer-No.	
			TOLERANCE					Drawn	17.08.2017	S.Bölling	ASSMANN WSW-No. ACOV-SUB-37MB26
			0~6	±0.10				Approved	17.08.2017	S.Bölling	
			6~30	±0.20							
H			30~120	±0.30						Drawing-No.	
			120~400	±0.50						ASS_5267_CO	rev00
			DIM	Tol	© Drawn	17.08.2017	S.Bölling	ASSMANN WSW components		Replace	Sheet 4/4
			Angle	±1°							
		Angle	Tol	Id.	Modification	Date	Name				

1 2 3 4 5 6 7