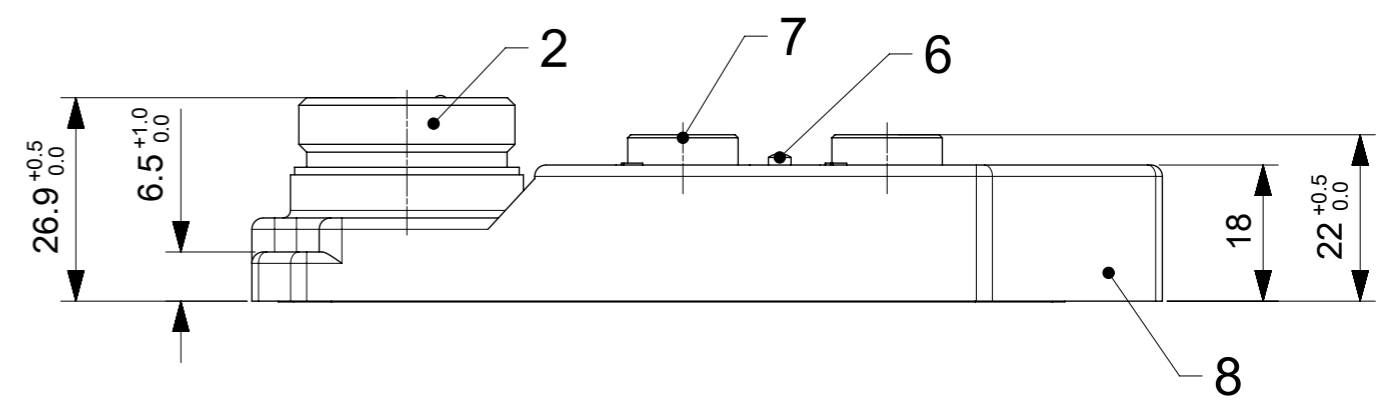
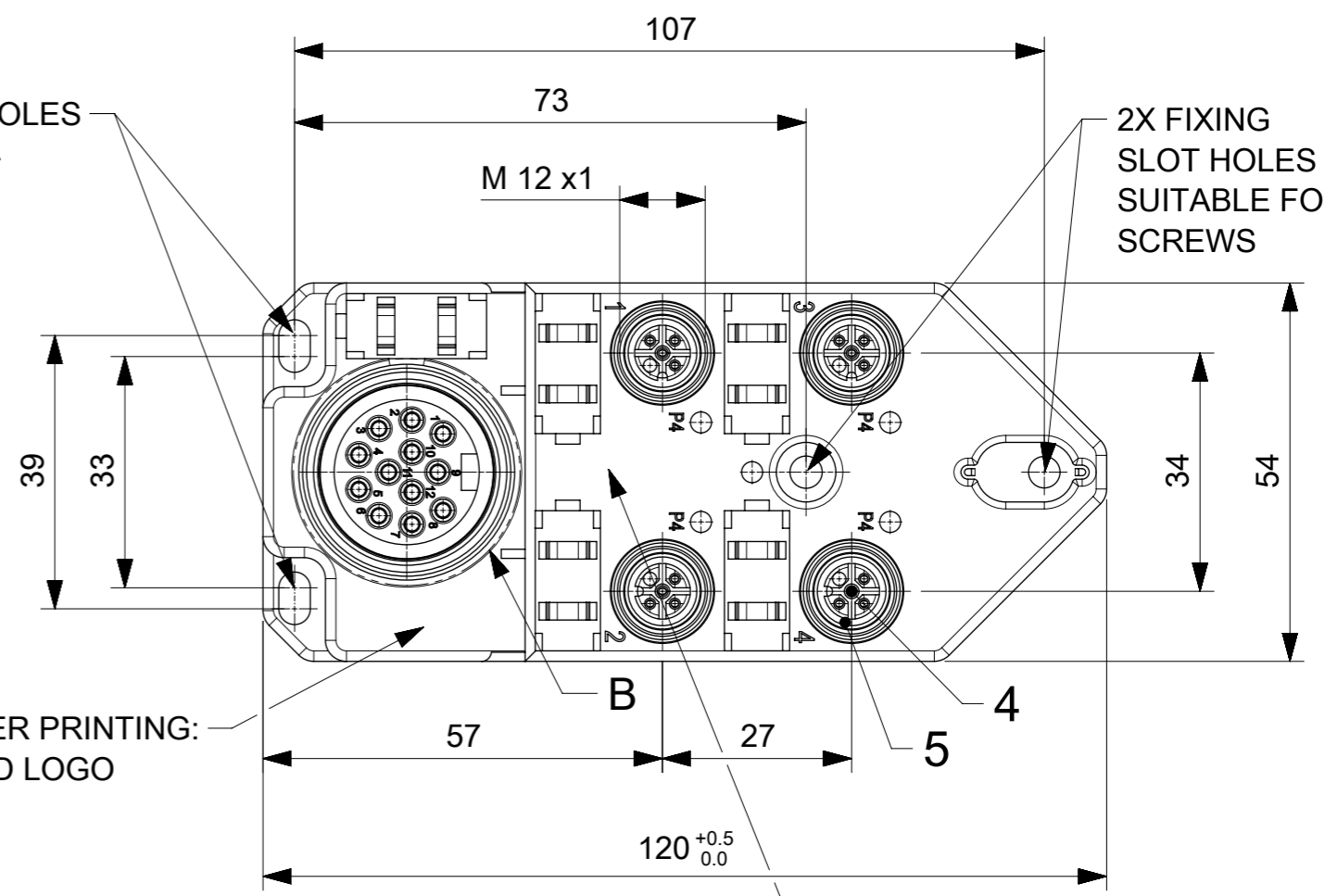
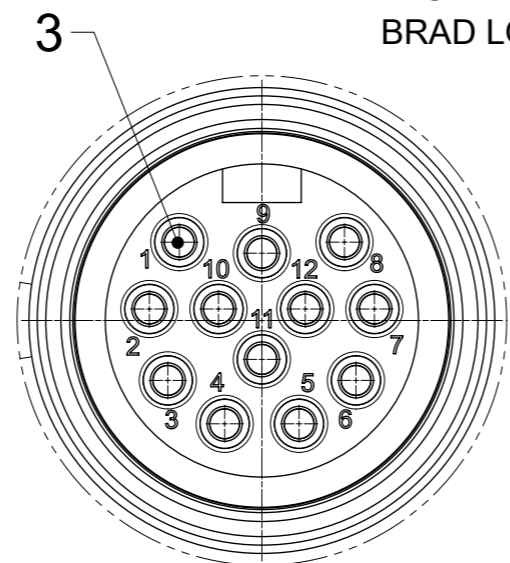
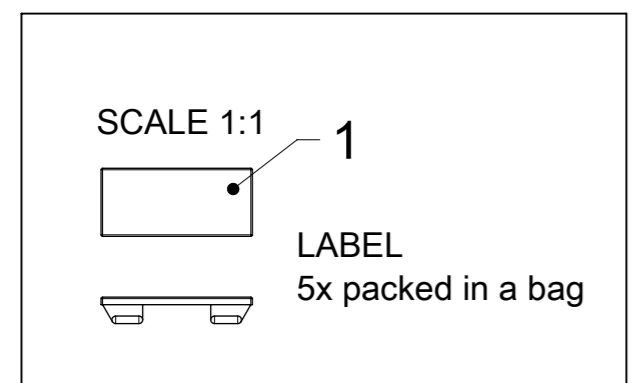


TABLE 1

MOLEX P/N	ENG. NO.	LED
1202480067	BTB4010-FBB	NO
1202480068	BTB401P-FBB	YES
1202480069	BTB401N-FBB	YES

TABLE 2 BILL OF MATERIAL

ITEM	DESCRIPTION	MATERIAL	FINISH
1	LABEL	ABS	WHITE
2	SHELL	BRASS	NICKEL PLATED
3	CONTACT	BRASS	GOLD OVER NICKEL
4	CONTACT	BRONZE	GOLD OVER NICKEL
5	O-RING	FPM	RED
6	LED	NO LED = PA	BLACK
		WITH LED = PA	TRANSPARENT
7	SHELL	BRASS	NICKEL PLATED
8	HOUSING	PBT	BLACK

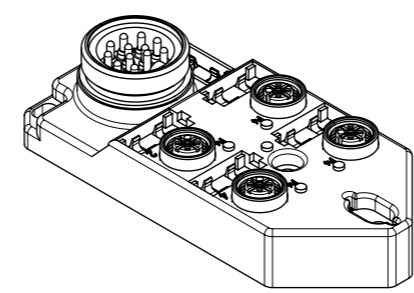


LASER PRINTING:
PN: 120248XXXX
ENG.: BTB401X-FBB
PO: XXXXXXXXXX

GENERAL CHARACTERISTICS:

ELECTRICAL AND MECHANICAL DATA ACC. TO IEC 61076-2-101

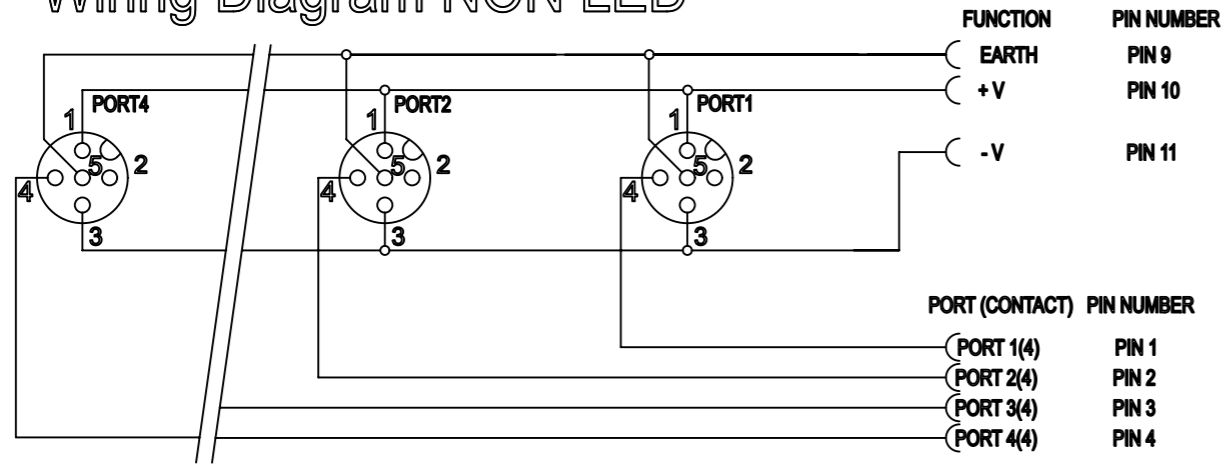
NOMINAL VOLTAGE: 10-30 V DC
 AMPERE RATING: 4 A PER PORT / 12 A MAX
 AMPERE RATING WITH UL REGISTRATION: 3 A PER PORT / 9 A MAX
 IP DEGREE OF PROTECTION: IP 67
 TEMPERATURE RANGE: -25°C to + 85°C



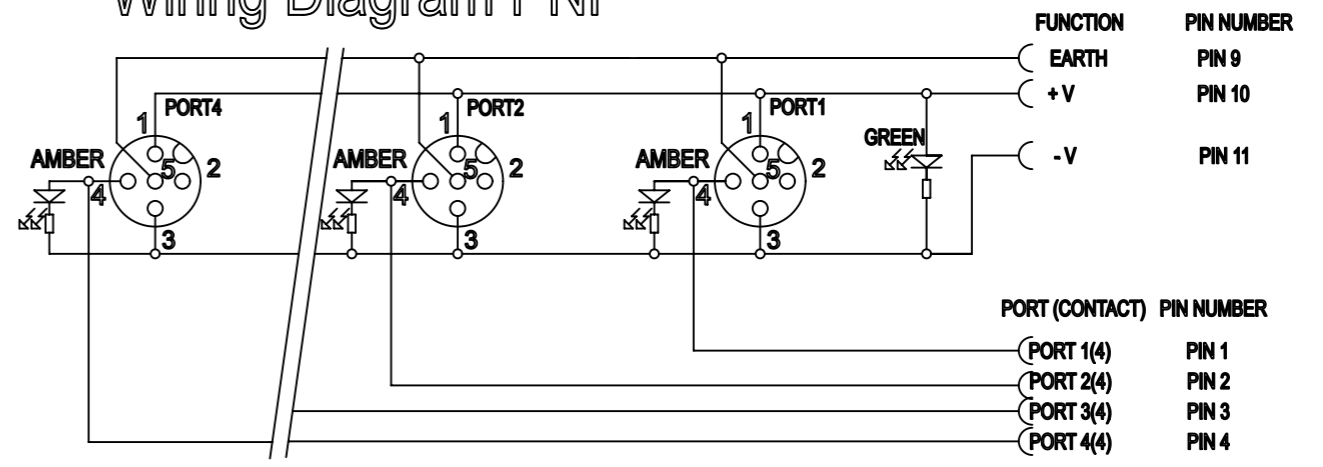
SCALE 1:2

SYMBOLS		THIS DRAWING CONTAINS INFORMATION THAT IS PROPRIETARY TO MOLEX ELECTRONIC TECHNOLOGIES, LLC AND SHOULD NOT BE USED WITHOUT WRITTEN PERMISSION	
DIMENSION UNITS	SCALE	CURRENT REV DESC: LASER PRINT UPDATE	
▽ = 0	mm	molex MPIS M12 PNP NPN NOS 4P 4PT 12P MC BK STA SINGLE	
▽ = 0	GENERAL TOLERANCES (UNLESS SPECIFIED)		
▽ = 0	ANGULAR TOL ± °		
▽ = 0	4 PLACES ±		
▽ = 0	3 PLACES ±	EC NO: 606042	2018/08/31
▽ = 0	2 PLACES ±	DRWN: SSM	2018/10/18
▽ = 0	1 PLACE ±	CHK'D: RSILLER	2018/10/18
▽ = 0	0 PLACES ± 0.25	APPR: RSILLER	2018/10/18
□ = 0	DRAFT WHERE APPLICABLE MUST REMAIN WITHIN DIMENSIONS	INITIAL REVISION:	
▽ = 0		DRWN: AAHLERS	2015/04/07
		APPR: RSILLER	2017/01/18
		THIRD ANGLE PROJECTION	DRAWING
		A3-SIZE	SERIES
		120248	MATERIAL NUMBER
		SEE TABLE 1	CUSTOMER
		GENERAL MARKET	SHEET NUMBER
			1 OF 2

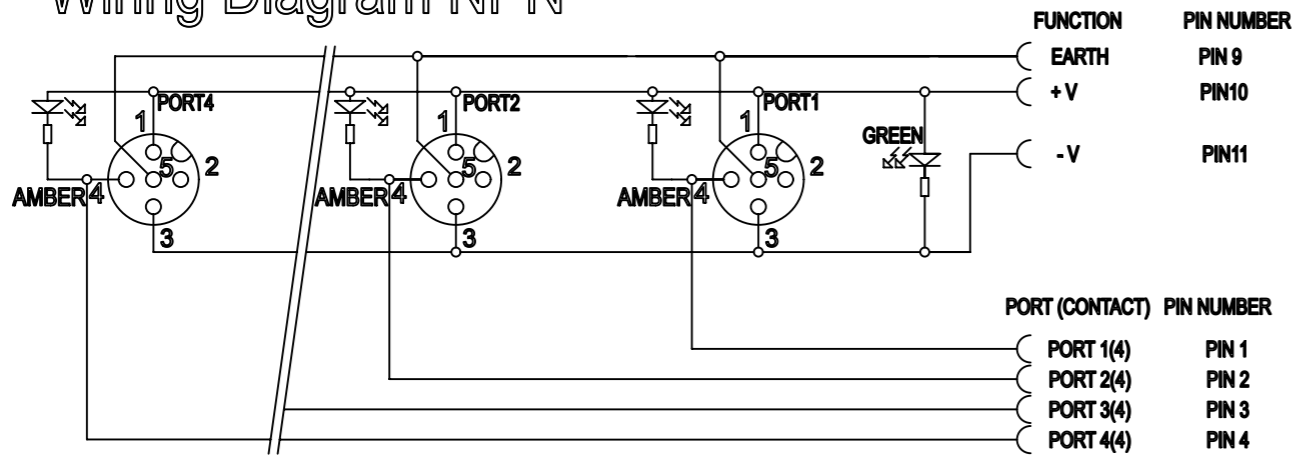
Wiring Diagram NON LED



Wiring Diagram PNP



Wiring Diagram NPN



SYMBOLS	THIS DRAWING CONTAINS INFORMATION THAT IS PROPRIETARY TO MOLEX ELECTRONIC TECHNOLOGIES, LLC AND SHOULD NOT BE USED WITHOUT WRITTEN PERMISSION		CURRENT REV DESC: LASER PRINT UPDATE		
	DIMENSION UNITS	SCALE			
▽ = 0	mm	MPIS M12 PNP NPN NOS 4P 4PT 12P MC BK STA SINGLE			
▽ = 0	GENERAL TOLERANCES (UNLESS SPECIFIED)		PRODUCT CUSTOMER DRAWING		
▽ = 0	ANGULAR TOL	± °	DOCUMENT NUMBER		
▽ = 0	4 PLACES	±	1202480067		
▽ = 0	3 PLACES	±	DOC TYPE	DOC PART	REVISION
▽ = 0	2 PLACES	±	PSD	000	B
▽ = 0	1 PLACE	±	INITIAL REVISION:		
▽ = 0	0 PLACES	± 0.25	DRWN: AAHLERS 2015/04/07		
■ = 0	DRAFT WHERE APPLICABLE MUST REMAIN WITHIN DIMENSIONS		APPR: RSILLER 2017/01/18		
▽ = 0	THIRD ANGLE PROJECTION	DRAWING	SERIES	MATERIAL NUMBER	CUSTOMER
		A3-SIZE	120248	SEE TABLE 1	GENERAL MARKET
					SHEET NUMBER
					2 OF 2