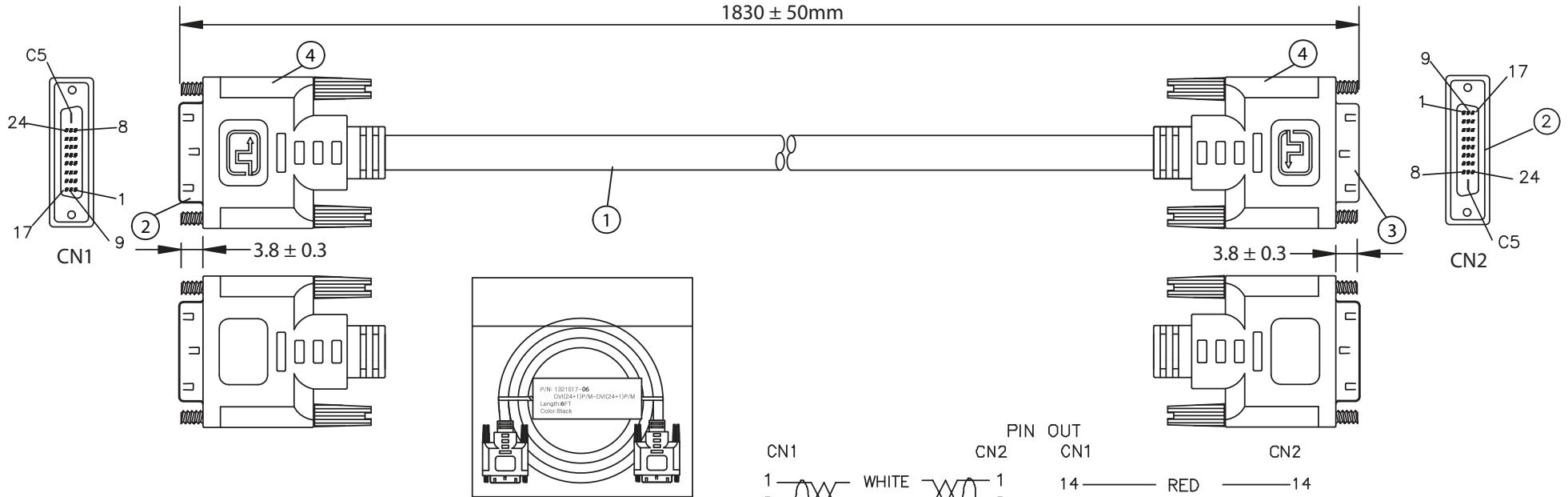


THESE DRAWINGS ARE THE PROPERTY OF QUALTEK ELECTRONICS AND NOT TO BE REPRODUCED FOR OR COMMUNICATED TO A THIRD PARTY WITHOUT THE EXPRESS WRITTEN PERMISSION OF AN OFFICER OF QUALTEK ELECTRONICS.

REVISION			
REV.	DESCRIPTION	DATE	APPROVED
B	Updated Pin out Notes and Graphics	07-21-16	LY
C	Updated Pin out	06-05-17	LY



NOTES:

- CABLE: UL20276
(28AWG*1PR+EAM)*7+28AWG*1PR+28AWG*3C+AEB(AL) 65%
OUTER JACKET: BLACK, OD: 8.5 ± 0.2mm
- CONNECTOR: DVI 24+1 MALE
INSULATOR: BLACK
PIN G/F
NICKEL PLATED SHELL
THUMB SCREW: 2.8*32.5 4-40UNC
- CONNECTOR: DVI 24+1 MALE
INSULATOR: BLACK
PIN G/F
NICKEL PLATED SHELL
THUMB SCREW: 2.8*32.5 4-40UNC
- PVC MOLDED: COLOR V398 30P BLACK
- ELECTRICAL TEST:
<1>.100% OPEN SHORT & MISS WIRE TEST
<2>.INSULATION RESISTANCE: AC300V DC400V 10M ohm MIN.
<3>.CONDUCTOR RESISTANCE: 3 ohm MAX.
- PACKING: 1PC/POLYBAG

PIN OUT			
CN1	CN2	CN1	CN2
1 WHITE	14 RED	14 RED	14
2 GREEN	15 VIOLET	15 VIOLET	15
3 DRAIN	16 WHITE	16 WHITE	16
4 DRAIN	17 PINK	17 PINK	17
5 WHITE	18 ORANGE	18 ORANGE	18
6 BLUE	19 DRAIN	19 DRAIN	19
7 YELLOW	20 DRAIN	20 DRAIN	20
8 ORANGE	21 BLACK	21 BLACK	21
9 WHITE	22 GRAY	22 GRAY	22
10 RED	23 DRAIN	23 DRAIN	23
11 DRAIN	24 LIGHT-BLUE	24 LIGHT-BLUE	24
12 DRAIN	SHELL BRAID & DRAIN	SHELL	
13 WHITE			
14 BROWN			

CONTROLLED

Dim range (mm)	Tolerance +/- (mm)	Qualtek Electronics Corp. WCI DIVISION		
		Part Number: 1321017-06	RoHS Compliant	
0-1	0.15	Description: DVI (24+1)P/M - DVI (24+1)P/M		
1-6	0.20			
6-18	0.30		UNIT: mm	REV. C
18-50	0.50			
50-120	0.70	Drawn / Date	Checked / Date	Approved / Date
120-250	0.90	B. Grubb 01-03-07	01-03-07	JJH / 01-03-07
250-500	1.20			