

# ***THS0842 EVM***

## *User's Guide*

## **IMPORTANT NOTICE**

Texas Instruments and its subsidiaries (TI) reserve the right to make changes to their products or to discontinue any product or service without notice, and advise customers to obtain the latest version of relevant information to verify, before placing orders, that information being relied on is current and complete. All products are sold subject to the terms and conditions of sale supplied at the time of order acknowledgment, including those pertaining to warranty, patent infringement, and limitation of liability.

TI warrants performance of its semiconductor products to the specifications applicable at the time of sale in accordance with TI's standard warranty. Testing and other quality control techniques are utilized to the extent TI deems necessary to support this warranty. Specific testing of all parameters of each device is not necessarily performed, except those mandated by government requirements.

Customers are responsible for their applications using TI components.

In order to minimize risks associated with the customer's applications, adequate design and operating safeguards must be provided by the customer to minimize inherent or procedural hazards.

TI assumes no liability for applications assistance or customer product design. TI does not warrant or represent that any license, either express or implied, is granted under any patent right, copyright, mask work right, or other intellectual property right of TI covering or relating to any combination, machine, or process in which such semiconductor products or services might be or are used. TI's publication of information regarding any third party's products or services does not constitute TI's approval, warranty or endorsement thereof.

# Read This First

---

---

---

---

### ***About This Manual***

This document presents a description of the THS0842 evaluation module.

### ***How to Use This Manual***

This document contains the following chapters:

- Chapter 1 – Overview
- Chapter 2 – Circuit Functionality
- Chapter 3 – Layout, Decoupling, and Grounding Considerations
- Chapter 4 – PC Board and Bill of Materials
- Appendix A – Schematics



# Contents

---

---

---

<b>1</b>	<b>Overview</b>	<b>1-1</b>
1.1	Purpose	1-2
1.2	EVM Basic Function	1-3
1.3	Power Requirements	1-3
1.3.1	Voltage Limits	1-3
1.4	THS0842 EVM Operational Procedure	1-4
<b>2</b>	<b>Circuit Functionality</b>	<b>2-1</b>
2.1	Circuit Function	2-2
2.2	Analog Inputs	2-2
2.2.1	Single-Ended Transformer Coupled Interface	2-2
2.2.2	Differential Interface	2-2
2.3	Digital Inputs	2-2
2.3.1	Internal Clock	2-2
2.3.2	External Clock	2-3
2.4	Analog Output	2-3
2.5	Digital Output	2-3
2.6	References	2-4
2.7	Power	2-5
<b>3</b>	<b>Layout, Decoupling, and Grounding Considerations</b>	<b>3-1</b>
<b>4</b>	<b>PC Board and Bill of Materials</b>	<b>4-1</b>
4.1	Printed-Circuit Board	4-2
4.2	Bill of Materials	4-10
<b>A</b>	<b>Schematics</b>	<b>A-1</b>

# Figures

---

---

---

1-1	Block Diagram .....	1-2
4-1	Printed-Circuit Board (Top) .....	4-2
4-2	Printed-Circuit Board Layer 1 .....	4-3
4-3	Printed-Circuit Board Layer 2 .....	4-4
4-4	Printed-Circuit Board Layer 3 .....	4-5
4-5	Printed-Circuit Board Layer 4 .....	4-6
4-6	Printed-Circuit Board Layer 5 .....	4-7
4-7	Printed-Circuit Board Layer 6 .....	4-8
4-8	Printed-Circuit Board (Bottom) .....	4-9

# Tables

---

---

---

1-1	Jumper List Table .....	1-4
1-2	Default Jumper Positions .....	1-4
2-1	Daughtercard Connector J2 .....	2-3
2-2	Daughtercard Connector J5 .....	2-4
2-3	Minimum/Maximum Reference Input Levels .....	2-5

# Overview

---

---

---

---

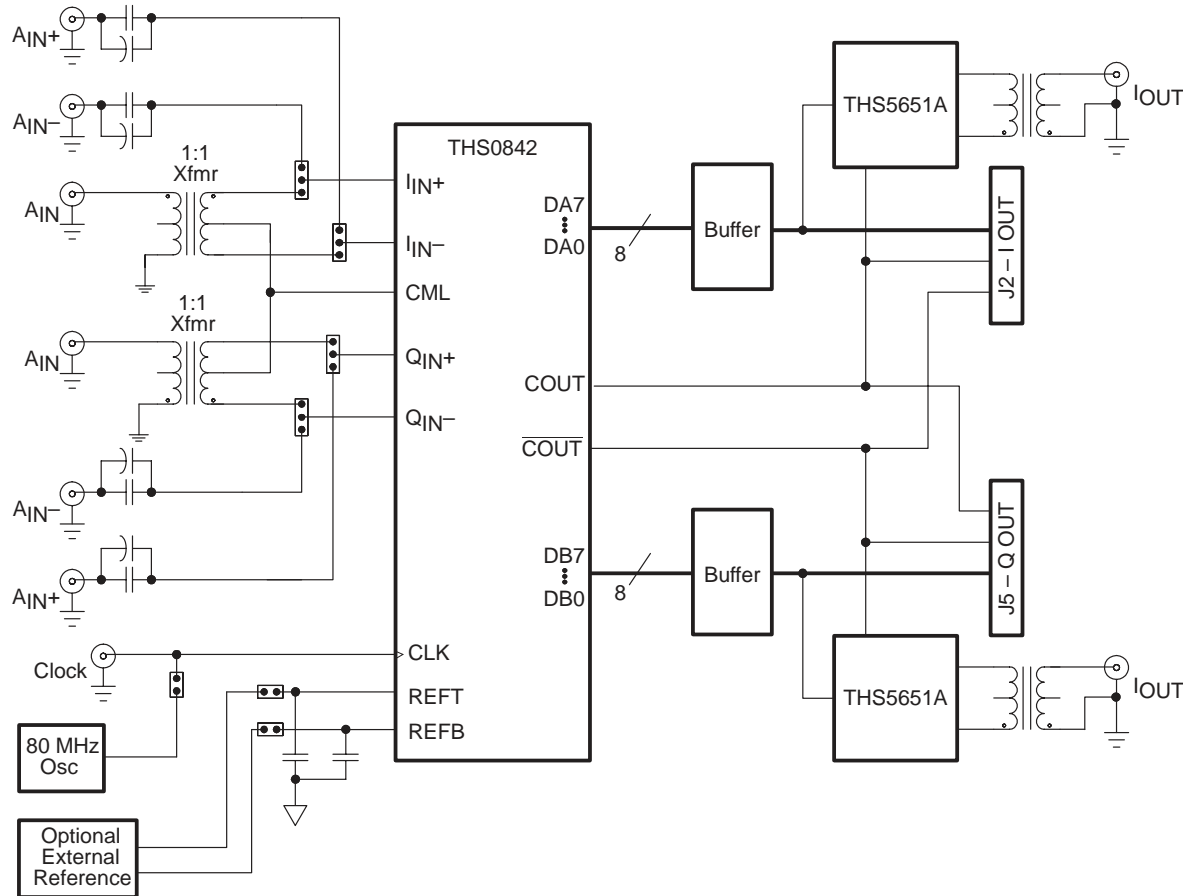
This chapter gives a general overview of the THS0842 evaluation module (EVM), and describes some of the factors that must be considered in using the module.

<b>Topic</b>	<b>Page</b>
1.1 Purpose .....	1-2
1.2 EVM Basic Function .....	1-3
1.3 Power Requirements .....	1-3
1.4 THS0842 EVM Operational Procedure .....	1-4

## 1.1 Purpose

The THS0842 evaluation module (EVM) provides a platform for evaluating the THS0842 analog-to-digital converter (ADC) under various signal, reference, and supply conditions. The system block diagram is shown below. This illustration provides a general indication of the features and functions available. It should be read in combination with the circuit schematic supplied.

Figure 1–1. Block Diagram





## **1.2 EVM Basic Function**

Analog inputs to the ADC are provided via six external SMB connectors. Two pairs of SMB connectors provide true differential inputs, or two individual SMB connectors provide single-ended transformer-coupled signals to the inputs of the device.

The EVM provides an external SMB connection for input of the ADC clock. A crystal oscillator is provided on the board to perform this function and can be used when required. Refer to the section on clocking for correct provisioning.

Digital output from the EVM is via two 25-pin connectors. The digital lines from the ADC are buffered before going to the connectors. More information on these connectors can be found in the ADC output section.

Analog output from the EVM is via two SMB connectors (J1 and J3). A pair of THS5651 10-bit DACS are used to recreate the analog signal from the ADC's digital data. More information on this can be found in the ADC analog output section.

Power connections to the EVM are via a pair of screw-down connectors. Separate input connectors are provided for the analog and digital supplies.

## **1.3 Power Requirements**

The EVM is powered directly through independent 3.3-V analog and digital supplies.

### **1.3.1 Voltage Limits**

Exceeding the 3.3-V maximum can damage EVM components. Under voltage may cause improper operation of some or all of the EVM components.

## 1.4 THS0842 EVM Operational Procedure

The THS0842 EVM provides a flexible means of evaluating the THS0842 in a number of modes of operation. A basic setup procedure that can be used as a board confidence check follows:

- 1) Verify all jumper settings against the schematic jumper list in Table 1–1:

Table 1–1. Jumper List Table

Jumper	Function	Installed	Removed	Default
W1	Reserved for future use	Required	Do not use	Installed
W2	Reserved for future use	Required	Do not use	Installed
W3	Oscillator power down	Power down	Active	Installed
W4	Reference select	Internal	External	Installed
W5	THS0842 standby	Active	Power down	Installed
W6	Select clock source	Onboard	Offboard	Removed
W7	Digital bus output enable	3-state bus	Active	Removed
W8	Single/dual bus mode	Dual mode	Single mode	Installed
W9	External REFB source	1–2 onboard	2–3 offboard	1–2
W10	External REFB feed	External	Internal	Removed
W11	External REFT feed	External	Internal	Removed
W12	Q+ Input select	1–2 differential	2–3 single-ended	2–3
W13	Q– Input select	1–2 differential	2–3 single-ended	2–3
W14	I+ Input select	1–2 differential	2–3 single-ended	2–3
W15	I– Input select	1–2 differential	2–3 single-ended	2–3
W16	External REFT source	1–2 onboard	2–3 offboard	1–2

Table 1–2. Default Jumper Positions

EVM	Jumper Table (connection)
THS0842	W1, W2, W3, W4, W5, W7, W9 (1–2), W12 (2–3), W13 (2–3), W14(2–3), W15 (2–3), W16(1–2)

- 1) Set both dc power supplies to read 3.3 V at the output terminals. Connect GND of the first power supply to the AGND(J6–2) terminal on the EVM, and GND of the other power supply to the DGND(J7–2) terminal on the EVM. Then connect the first power supply’s 3.3-V output to the AVDD power (J6–1) terminal of the EVM, and the other power supply’s 3.3-V output to the DVDD(J7–1) terminal of the EVM.
- 2) Switch power supplies on.
- 3) Set function generator number one to output a square wave at a frequency of 80 MHz, 0-V offset, and an amplitude of 3.3 V on the 50-Ω output.
- 4) Use a 50-Ω coaxial cable with BNC/SMB connectors to connect generator number 1 to J4 (clock input).

- 5) Set function generator number 2 to output a sine wave at a frequency of 1 MHz, 0-V offset, and an amplitude of 0.8 V<sub>p-p</sub> on the 50-Ω output.
- 6) Use a 50-Ω coaxial cable with BNC/SMB connectors to connect generator number 2 to J8 (Q input). Use a T-splitter to connect the test signal to channel 1 of the oscilloscope.
- 7) Use a 50-Ω coaxial cable with BNC/SMB connectors to connect the second channel of the oscilloscope to J3 (Q-output). The two sine waves should have the same period (their amplitudes may differ).
- 8) Repeat Step 5 with the SMB connected to J11 (I-input).
- 9) Repeat Step 6, except connect to J1 (I-output).



# Circuit Functionality

---

---

---

---

This chapter describes the digital interface-master clock, ADC data, and power supply.

<b>Topic</b>	<b>Page</b>
2.1 Circuit Function .....	2-2
2.2 Analog Inputs .....	2-2
2.3 Digital Inputs .....	2-2
2.4 Analog Output .....	2-3
2.5 Digital Output .....	2-3
2.6 References .....	2-4
2.7 Power .....	2-5

## 2.1 Circuit Function

The following sections describe the function of individual circuits. Refer to the relevant data sheet for device operating characteristics.

## 2.2 Analog Inputs

The ADC has either transformer-coupled single-ended or differential-analog inputs. These are provided on the EVM via SMB connectors J8 and J11 for single-ended inputs, or J9/J10 and J12/J13 for differential inputs, and can be configured in two ways, as discussed in Sections 2.2.1 and 2.2.2.

### 2.2.1 Single-Ended Transformer Coupled Interface

Connectors J8 (Q) and J11 (I) are single-ended inputs that use a 1:1 transformer to provide differential analog inputs to the I+/I– and Q+/Q– inputs of U11 (THS0842). The signal input is nominally 0.89 V<sub>pp</sub>.

W12, W13, W14, and W15 should be strapped across pins 2 and 3. The inputs have 50-Ω terminators.

### 2.2.2 Differential Interface

Connectors J9 (Q+), J10 (Q–), J12 (I–), and J13 (I+) are used to connect ac-coupled differential signals directly to U11 (THS0842). The signal input is nominally a 0.44 V<sub>pp</sub>.

W12, W13, W14, and W15 should be strapped across pins 1 and 2.

## 2.3 Digital Inputs

The THS0842 EVM utilizes jumpers for all digital inputs, with the exception of the external clock. There are no connectors for setting the digital inputs. Refer to the jumper table (Table 1–1 ) for a description of the jumpers and their function.

### 2.3.1 Internal Clock

The EVM provides flexibility as to the source of the ADC's conversion clock. This clock can come from an external signal generator, as described in Section 2.3.2, or by enabling onboard 80-MHz oscillator X1. Removing the shorting bar from W3 will enable oscillator X1. Adding a shorting bar to jumper pins W6 will direct clock oscillations from oscillator X1 to buffer amplifier U10A and to the rest of the circuit. The EVM is shipped with external clock selected, W6 open, and W3 shorted.

**Note:**

R49 must be removed to avoid loading the output of X1.

### 2.3.2 External Clock

SMB Connector J4 can be used to input a clock signal to the board from an external source. The input source should be a 50-Ω LVTTTL square wave signal with an amplitude of 3.3 V referenced to digital ground. This is the default setup for the EVM.

### 2.4 Analog Output

The ADC digital data is buffered and sent to a pair of THS5651A DACs. The 5651 DACs latch the THS0842 data on COUT (Q-DAC) or /COUT (I-DAC). An analog signal is generated on J1 for the I-output and J3 for the Q-output. The DAC outputs can only be used when the THS0842 EVM is set up for dual-bus mode (W8 installed, SELB low). For further information on the THS5651A, please refer to the product folder on TI's website:

<http://www.ti.com/sc/docs/products/analog/th5651a.html>.

### 2.5 Digital Output

The digital-output codes of the ADC are made available on two 26-pin headers along with COUT and  $\overline{\text{COUT}}$ . J2 provides access to the data from the I-input and J5 provides access to the data from the Q-input. The output is 3.3 V TTL-compatible.

Table 2–1. Daughtercard Connector J2

J2 Pin	Name	Function	J2 Pin	Name	Function
1	DA0	I <sub>OUT</sub> 0	2	DGND	Ground
3	DA1	I <sub>OUT</sub> 1	4	DGND	Ground
5	DA2	I <sub>OUT</sub> 2	6	DGND	Ground
7	DA3	I <sub>OUT</sub> 3	8	DGND	Ground
9	DA4	I <sub>OUT</sub> 4	10	DGND	Ground
11	DA5	I <sub>OUT</sub> 5	12	DGND	Ground
13	DA6	I <sub>OUT</sub> 6	14	DGND	Ground
15	DA7	I <sub>OUT</sub> 7	16	DGND	Ground
17	RSVD	NC	18	DGND	Ground
19	RSVD	NC	20	DGND	Ground
21	$\overline{\text{COUT}}$	$\overline{\text{COUT}}$ clock	22	DGND	Ground
23	COUT	COUT clock	24	DGND	Ground
25	80 MHz	80-MHz clock	26	DGND	Ground

Table 2–2. Daughtercard Connector J5

J2 Pin	Name	Function	J2 Pin	Name	Function
1	DB0	Q <sub>OUT</sub> 0	2	DGND	Ground
3	DB1	Q <sub>OUT</sub> 1	4	DGND	Ground
5	DB2	Q <sub>OUT</sub> 2	6	DGND	Ground
7	DB3	Q <sub>OUT</sub> 3	8	DGND	Ground
9	DB4	Q <sub>OUT</sub> 4	10	DGND	Ground
11	DB5	Q <sub>OUT</sub> 5	12	DGND	Ground
13	DB6	Q <sub>OUT</sub> 6	14	DGND	Ground
15	DB7	Q <sub>OUT</sub> 7	16	DGND	Ground
17	RSVD	NC	18	DGND	Ground
19	RSVD	NC	20	DGND	Ground
21	$\overline{\text{COUT}}$	$\overline{\text{COUT}}$ clock	22	DGND	Ground
23	COUT	COUT clock	24	DGND	Ground
25	80 MHz	80-MHz clock	26	DGND	Ground

## 2.6 References

The EVM can use either the THS0842 internal reference, a tunable external reference generated on the EVM board, or a customer-provided external reference.

The THS0842's input range is determined by the voltages on its  $V_{\text{REFB}}$  and  $V_{\text{REFT}}$  pins. Since the part has an internal-voltage reference generator, it must be powered down (W4 removed) before applying an external voltage to the REFT and REFB pins. It is advantageous to have a wider analog input range, especially at higher sampling rates. This can be achieved by using external voltage references. For example, at  $AV_{\text{DD}} = 3.3 \text{ V}$ , the full-scale range can be extended from 1 V<sub>pp</sub> (internal reference) to 1.3 V<sub>pp</sub> (external reference), as shown in Table 3–3. These voltages should *not* be derived from a power-supply source via a voltage divider. Use instead a bandgap-derived voltage reference to derive both references via an operational-amplifier circuit. Refer to the schematic of the THS0842 evaluation module for an example circuit.

The full-scale ADC input range and its dc position can be adjusted when using external references. The full-scale ADC range is always equal to  $V_{\text{REFT}} - V_{\text{REFB}}$ . The maximum full-scale range is dependent on  $AV_{\text{DD}}$ , as shown in the THS0842 data sheet specifications section. Aside from the constraint on their difference, there are limitations on the useful range of  $V_{\text{REFT}}$  and  $V_{\text{REFB}}$  individually, depending on the value of  $AV_{\text{DD}}$ . Table 3–3 summarizes these limits for three cases.



Table 2–3. Minimum/Maximum Reference Input Levels

$V_{DD}$	$V_{REFB(min)}$	$V_{REFB(max)}$	$V_{REFT(min)}$	$V_{REFT(max)}$	$[V_{REFT}-V_{REFB}]_{max}$
3.0 V	0.8 V	1.2 V	1.8 V	2.2 V	1.0 V
3.3 V	0.8 V	1.2 V	2.1 V	2.5 V	1.3 V
3.6 V	0.8 V	1.2 V	2.4 V	2.8 V	1.6 V

## 2.7 Power

Power is supplied to the EVM via screw-down connectors. For best performance use a separate low-noise analog power supply connected to J6–1 (+3.3 V) and J6–2 (GND). Use a separate low-noise digital power supply connected to J7–1 (+3.3 V) and J7–2 (GND). The positive side is marked by a + on the EVM's silkscreen placed next to the connectors themselves.



# Layout, Decoupling, and Grounding Considerations

---

---

---

---

Proper grounding and layout of the PCB is essential to achieve the stated performance. It is advised to use separate analog and digital ground planes that are spliced underneath the device. The THS0842 has digital and analog terminals on opposite sides of the package to make this easier. Since there is no internal connection between analog and digital grounds, they have to be joined on the PCB. This should be done at one point in close proximity to the THS0842.

Separate analog and digital power-supply terminals are provided on the device ( $AV_{DD}/DV_{DD}$ ). The supply to the digital-output drivers ( $DRV_{DD}$ ) is also kept separate. Lowering the voltage on this supply to 3 V instead of the nominal 3.3 V improves performance due to the lower switching noise caused by the output buffers.

Because of the high sampling rate and switched-capacitor architecture, the THS0842 generates transients on the supply and reference lines. Proper decoupling of these lines is essential. Decoupling as shown in the schematic of the THS0842 EVM is recommended.



# PC Board and Bill of Materials

---

---

---

---

This chapter presents the PC board design and a listing of the parts required to build this evaluation module

<b>Topic</b>	<b>Page</b>
4.1 Printed-Circuit Board .....	4-2
4.2 Bill of Materials .....	4-10

### 4.1 Printed-Circuit Board

This section presents the printed-circuit board for the THS0842 EVM.

Figure 4–1. Printed-Circuit Board (Top)

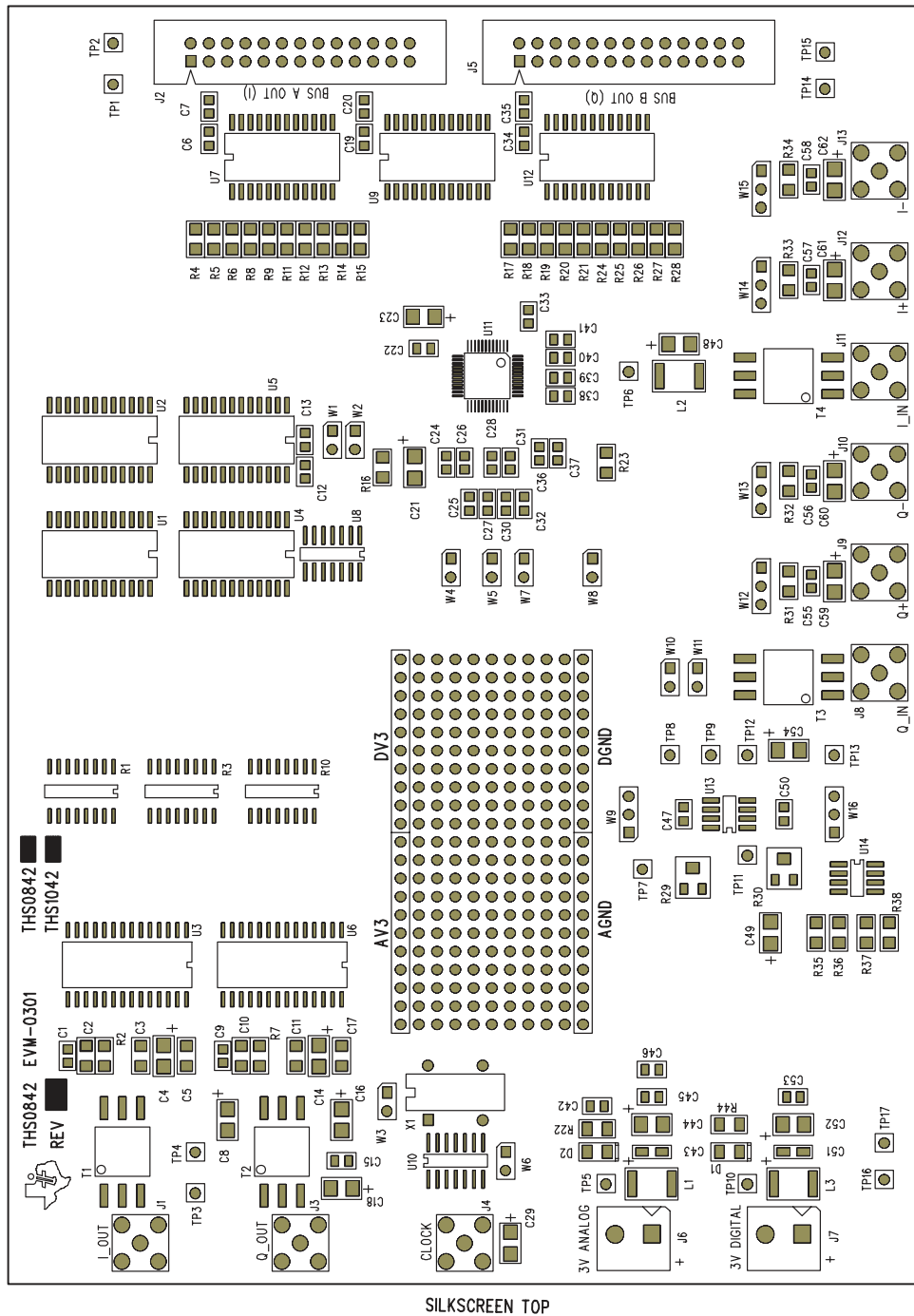
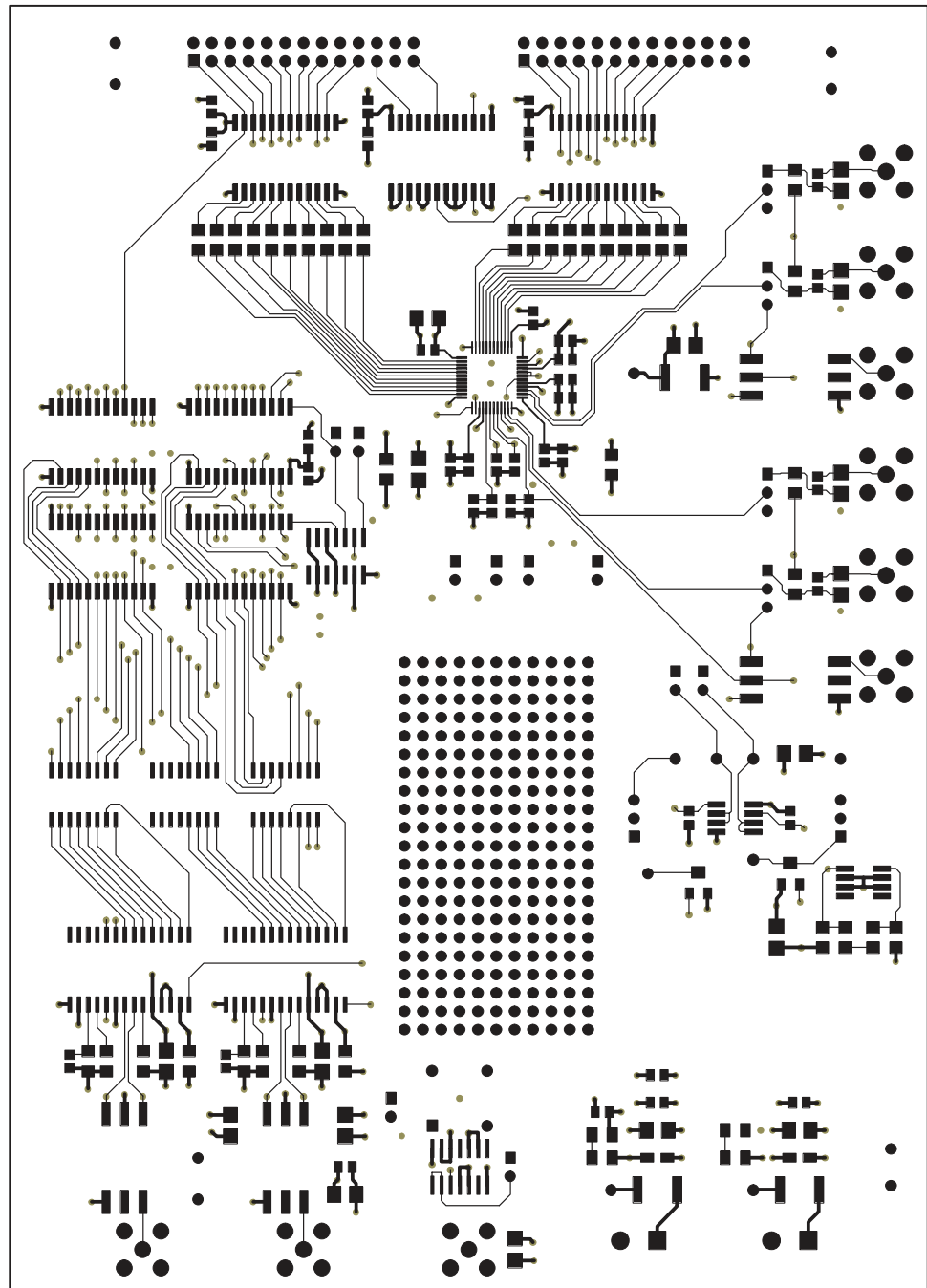


Figure 4-2. Printed-Circuit Board Layer 1



LAYER 1 – COMPONENT SIDE (TOP)

Figure 4–3. Printed-Circuit Board Layer 2

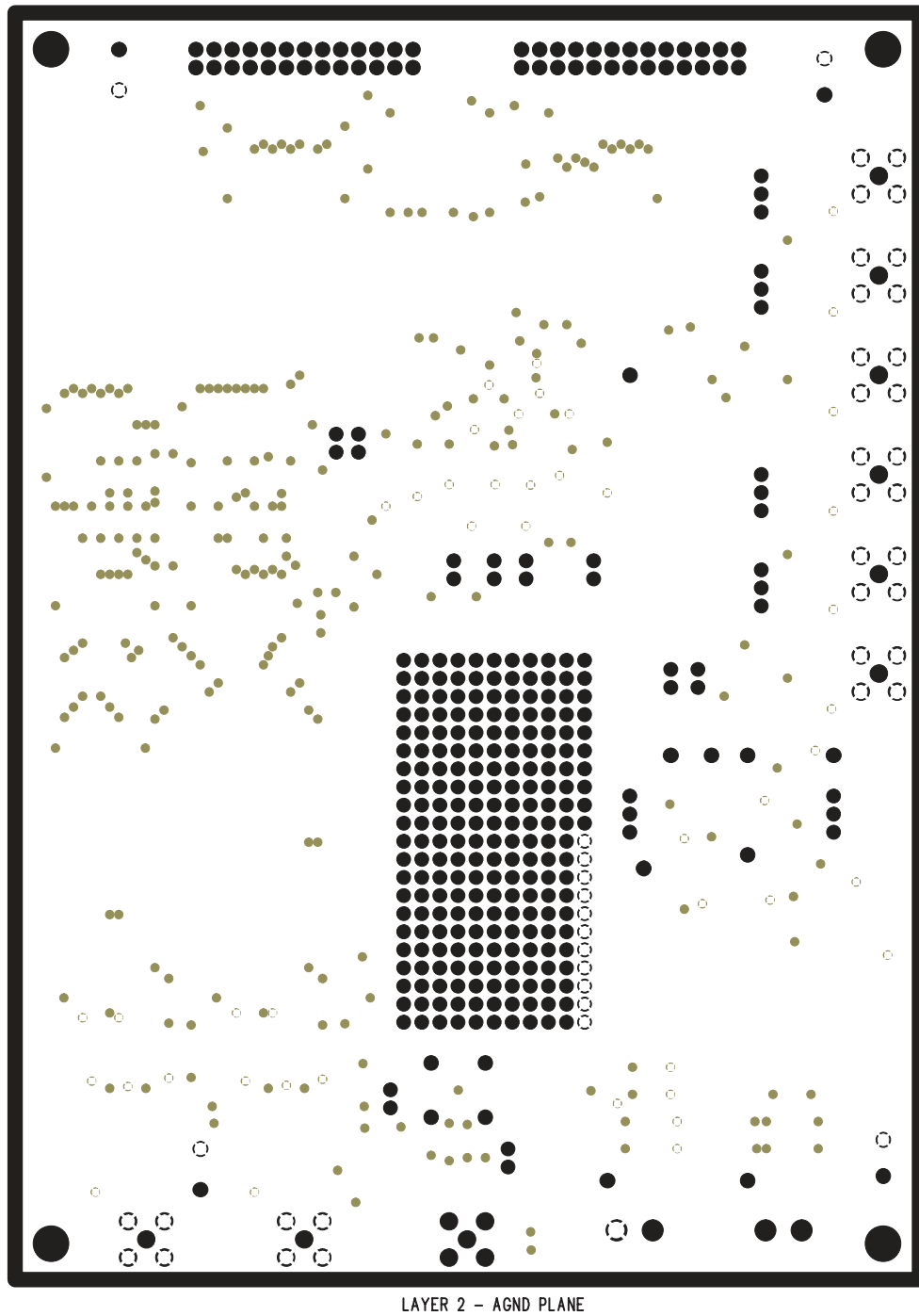
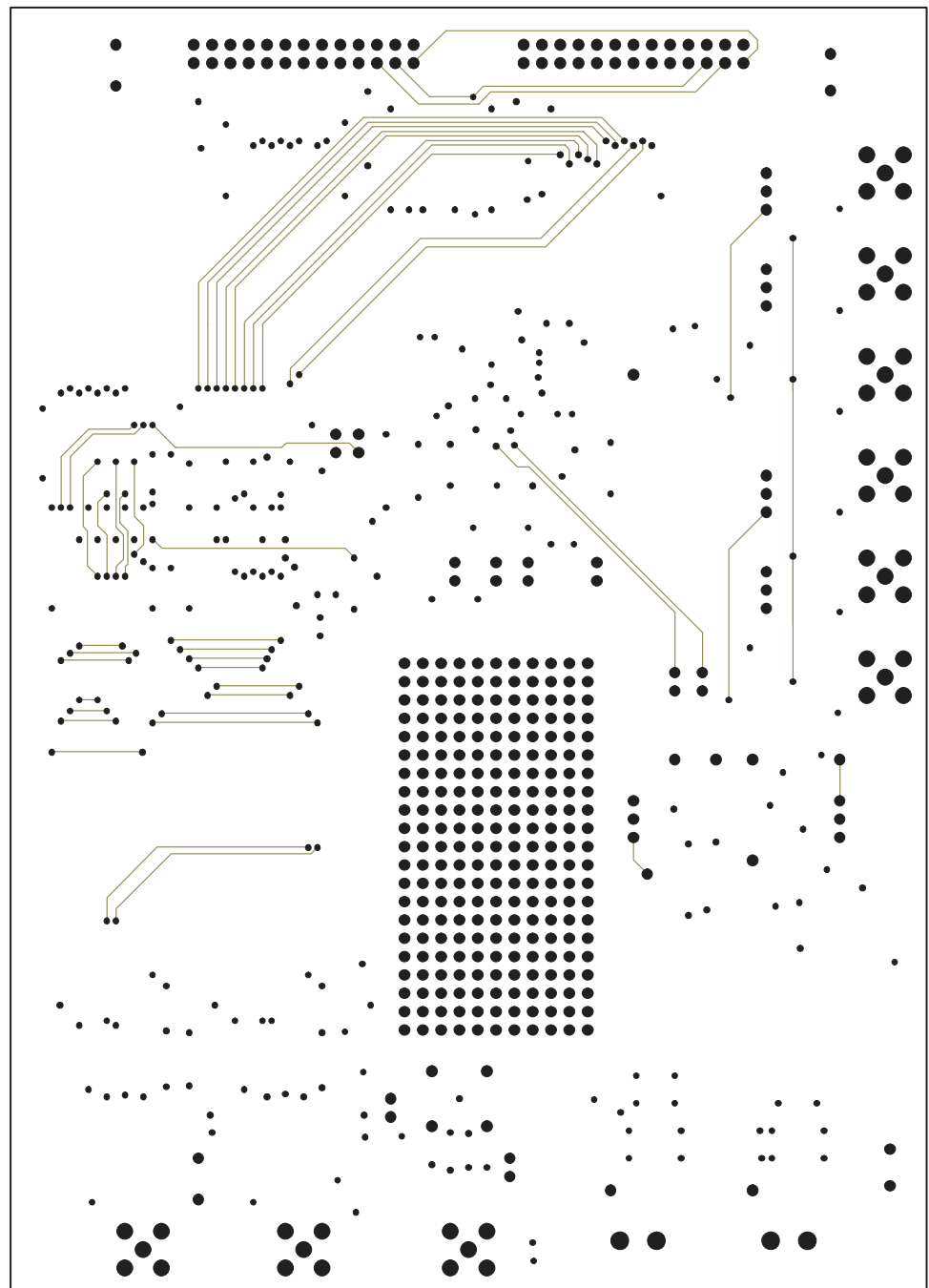




Figure 4-4. Printed-Circuit Board Layer 3



LAYER 3 - INTERNAL SIGNAL

Figure 4–5. Printed-Circuit Board Layer 4

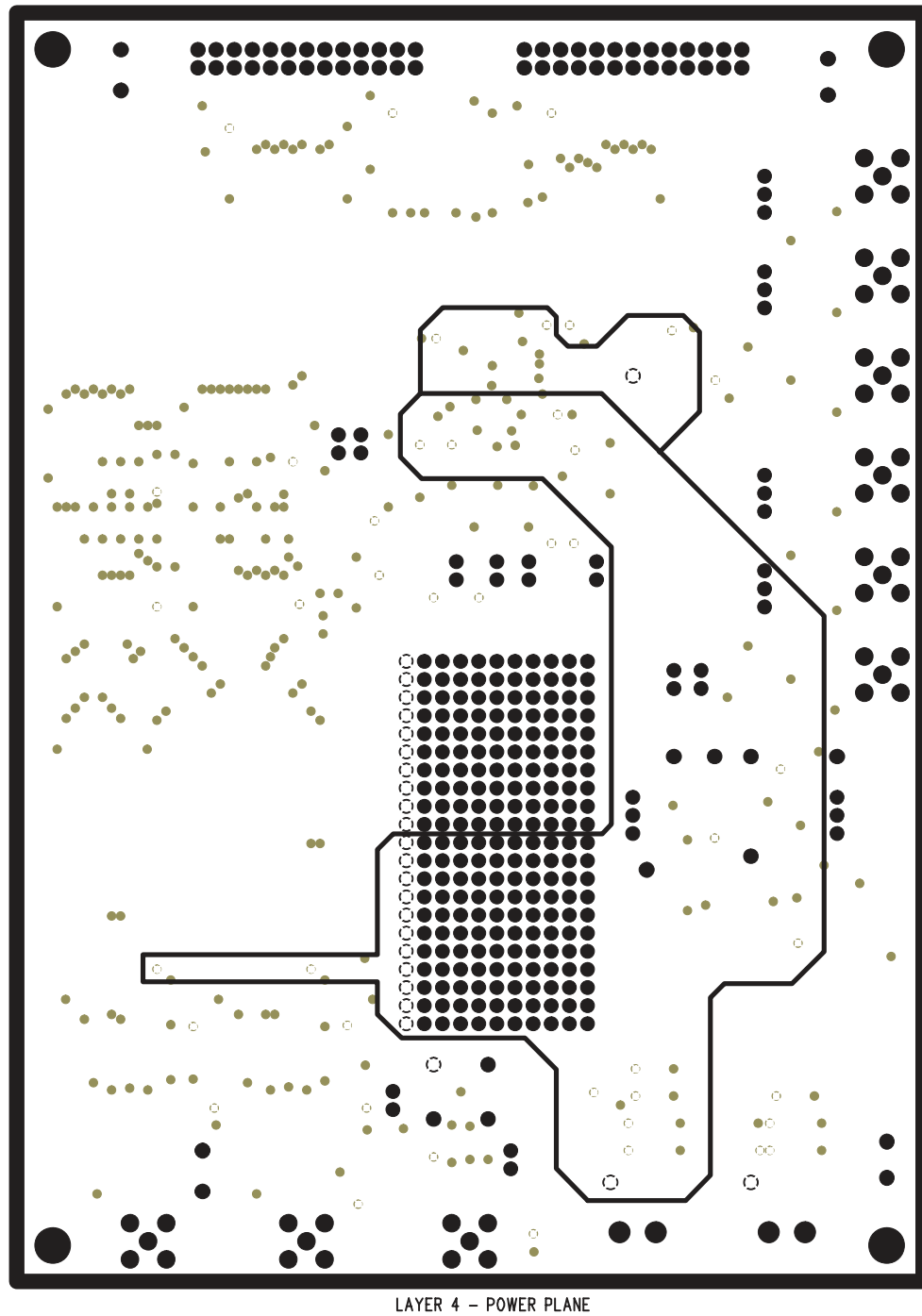


Figure 4–6. Printed-Circuit Board Layer 5

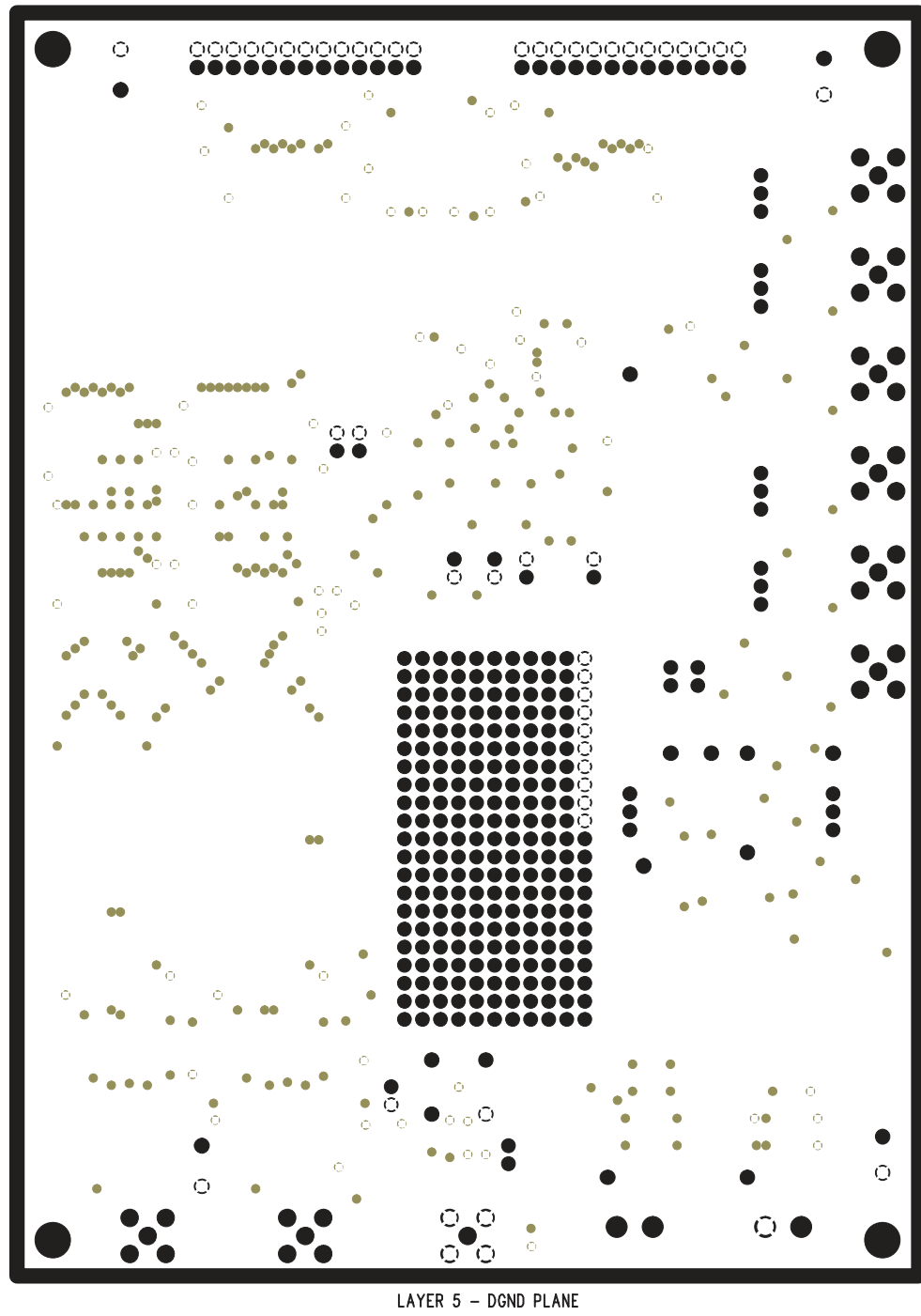
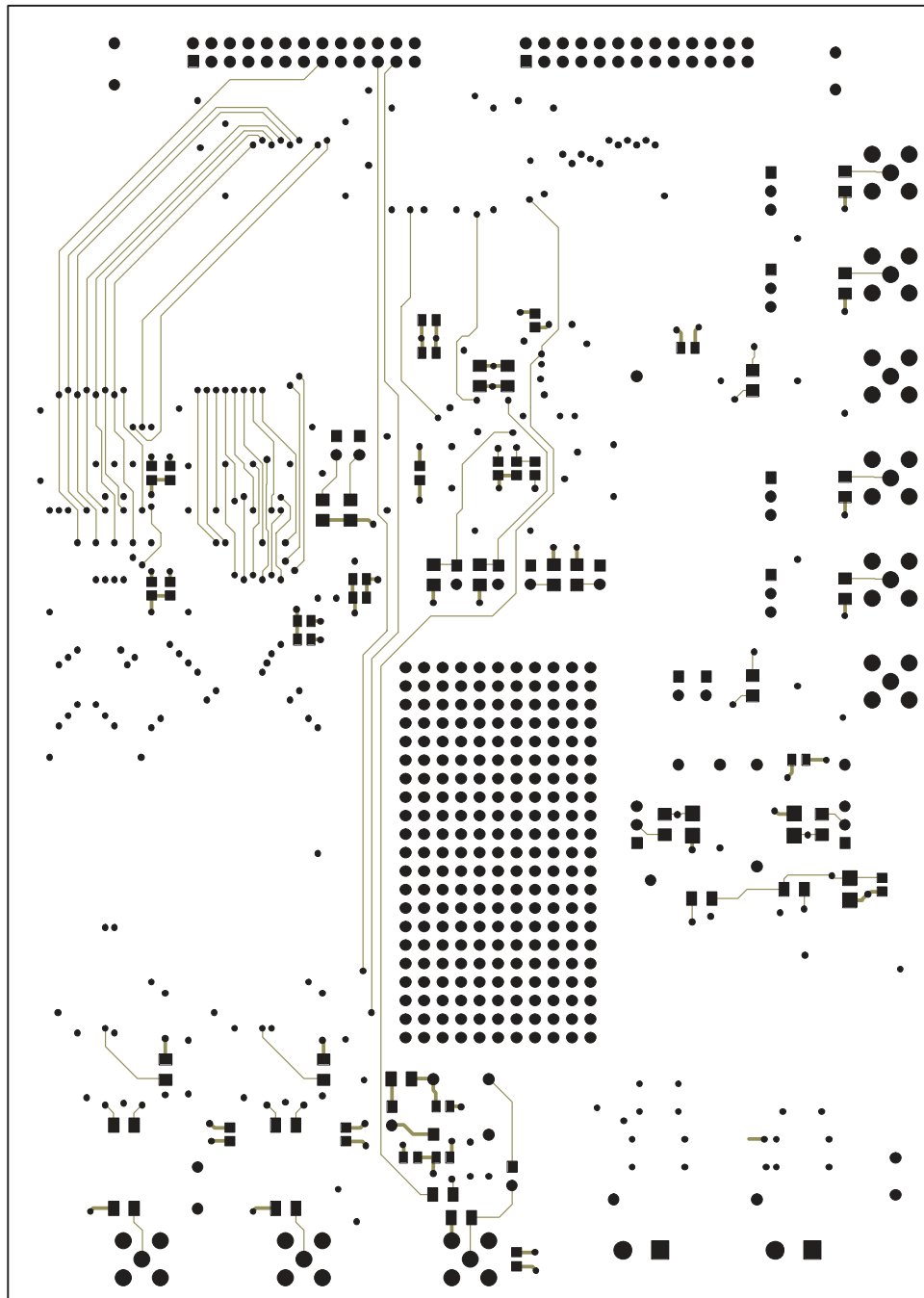
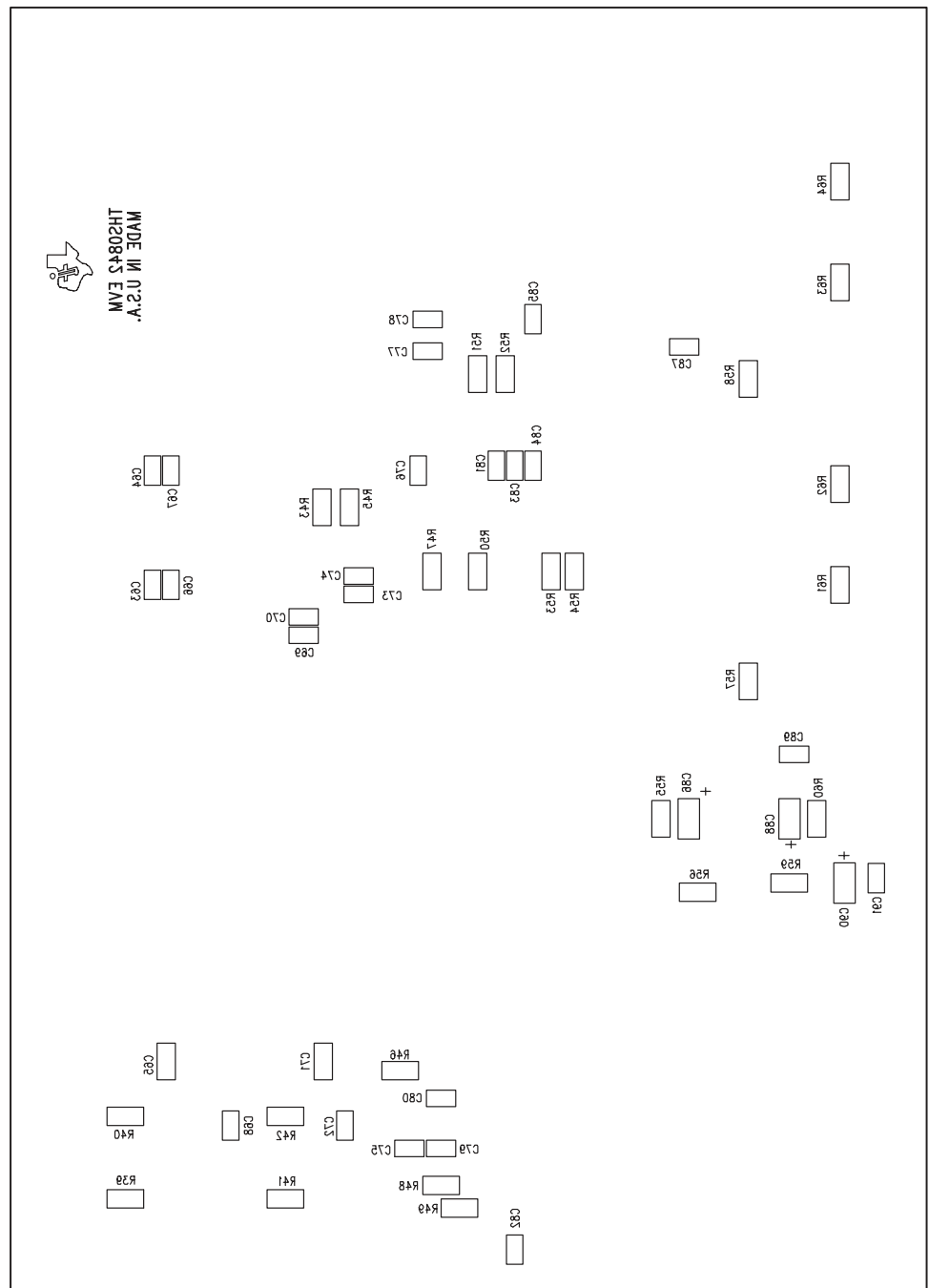


Figure 4–7. Printed-Circuit Board Layer 6



LAYER 6 – SOLDER SIDE (BOTTOM)

Figure 4–8. Printed-Circuit Board (Bottom)



## 4.2 Bill of Materials

Part Type	Designator	Footprint	Description	Manufacturer	Part Number
10 $\mu$ F	C4, C8, C12, C14, C16, C18, C21, C23, C29, C44, C48, C49, C52, C54, C59, C60, C61, C62, C86, C88, C90	3528	Low profile tantalum capacitor	Digikey	PCS1156CT-ND
0.1 $\mu$ F	C2, C3, C5, C10, C11, C17, C65, C71	1206	Multilayer ceramic – variable footprint	Mouser	77-VJ12U50V104M
0.1 $\mu$ F	C6, C13, C15, C19, C24, C34, C37, C38, C40, C42, C45, C46, C47, C50, C53, C63, C67, C68, C69, C72, C73, C75, C76, C77, C78, C80, C82, C84, C85, C87, C89, C91	805	Multilayer ceramic	Mouser	77-VJ08Y50V104K
4.7 $\mu$ F	C43, C51	3216	Low profile tantalum capacitor	Digikey	PCS1475CT-ND
470 pF	C7, C12, C20, C22, C26, C33, C35, C36, C39, C41, C64, C66, C70, C74, C79	805	Multilayer ceramic	Mouser	77-VJ08A100V471J
1.0 $\mu$ F	C25, C28, C31, C32	805	Multilayer ceramic	Digikey	PCC1807CT-ND
0.01 $\mu$ F	C1, C9, C27, C30, C55, C56, C57, C58, C81, C83	805	Multilayer ceramic	Mouser	77-VJ08Y50V103K
GREEN LED	D1, D2	LED-1206	LED with LENS	Lumex	67-1357-1
SMA JACK	J3	SMA_JACK	PCB mount SMA jack	Johnson Components	142-0701-206
KRMZ2	J6, J7	2term_screw_con	2 Terminal screw connector		506-5ULV02
SMA	J1, J4, J8, J9, J10, J11, J12, J13	SMA_JACK	PCB mount SMA jack	Johnson Components	142-0701-206
26PIN_IDC	J2, J5	13x2x0.1	26 Pin header		TSW-113-07-L-D
4.7 $\mu$ H	L1, L3	DO1608C	DO1608C-Series – Coil Craft		
1.0 $\mu$ H	L2	DO1608C	DO1608C-Series – Coil Craft		
20	R4, R5, R6, R8, R9, R11, R12, R13, R14, R15, R17, R18, R19, R20, R21, R24, R25, R26, R27, R28, R48	1206		Mouser	263-20
49.9	R39, R40, R41, R42, R49, R57, R58, R61, R62, R63, R64	1206	1/4W 1210 Chip resistor	Mouser	290-49.9

Part Type	Designator	Footprint	Description	Manufacturer	Part Number
750	R36	1206	1/4W 1206 Chip resistor 1%	Mouser	290-750
0 Ω	R16, R23, R35, R37, R51, R52	1206	1/4W 1206 Chip resistor	Mouser	263-0
2.49K 1%	R38	1206	1/4W 1206 Chip resistor	Mouser	263-2.49K
1.0 K	R22, R44, R56, R59	1206	1/4W 1206 Chip resistor	Mouser	263-1K
2K POT	R29, R30	BOURNS		Digikey	3214W-202ECT-ND
33 Ω	R1, R3, R10	2NBS16	Bourns 2NBS Series		4816P-1-330
2K	R2, R7	1206	1/4W 1206 Chip resistor	Mouser	263-2.00K
10K	R31, R32, R33, R34, R43, R45, R46, R47, R50, R53, R54, R55, R60,	1206	1/4W 1206 Chip resistor	Mouser	263-10K
1.0K	R44	1206	1/4W 1206 Chip resistor	Mouser	263-1K
T1-1T-KK81	T1, T2, T3, T4	MC_KK81	RF transformer MINI-circuits T1-1T-KK81		
TSW-101-07-LS	TP1, TP2, TP3, TP4, TP5, TP6, TP7, TP9, TP10, TP11, TP12, TP14, TP15, TP16, TP17	test_point2	Turret terminal test point	Samtec	TSW-101-07-LS
REF-REF+	TP8 TP13	test_point2	Turret terminal test point	Samtec	TSW-101-07-LS
74LVC827A	U1, U2, U4, U5, U7, U9, U12	24 SOP (DW)	10-Bit bus interface FF 3SO	TI	SN74LVC827ADW
SN74HC04D	U8	14-SOP(D)	Hex inverter	TI	SN74HC04D
SN74LVC08A	U10	14-SOP(D)	Quad NAND gate	TI	SN74LVC08AD
TL1431CD	U14	8-SOP(D)	Precision programmable reference	TI	TL1431QD
TLV2772	U13	8-SOP(D)	Dual op amp in 8 pin SOP package	TI	TLV2772ID
THS0842	U11	48-TQFP(PFB)	THS0842	TI	THS0842IPFB
THS56X1	U3, U6	28-SOIC(DW)	2.7-5.5V, 10 bit, 125 MHz, communications DAC	TI	THS5651IDW
TSW-102-07-LS	W1, W2, W3, W4, W5, W6, W7, W8, W9, W10, W11	2pos_jump	2 Position jumper _ 0.1" spacing	Samtec	TSW-102-07-L-S
3POS_JUMPER	W9, W12, W13, W14, W15, W16	3pos_jump	3 Position jumper _ 0.1" spacing		TSW-103-07-L-S
XTAL	X1	4PIN_XTL_DC	Crystal oscillator 80 MHz	Digikey	SG-8002DC-SCC-80.00 MHz





# **Schematics**

---

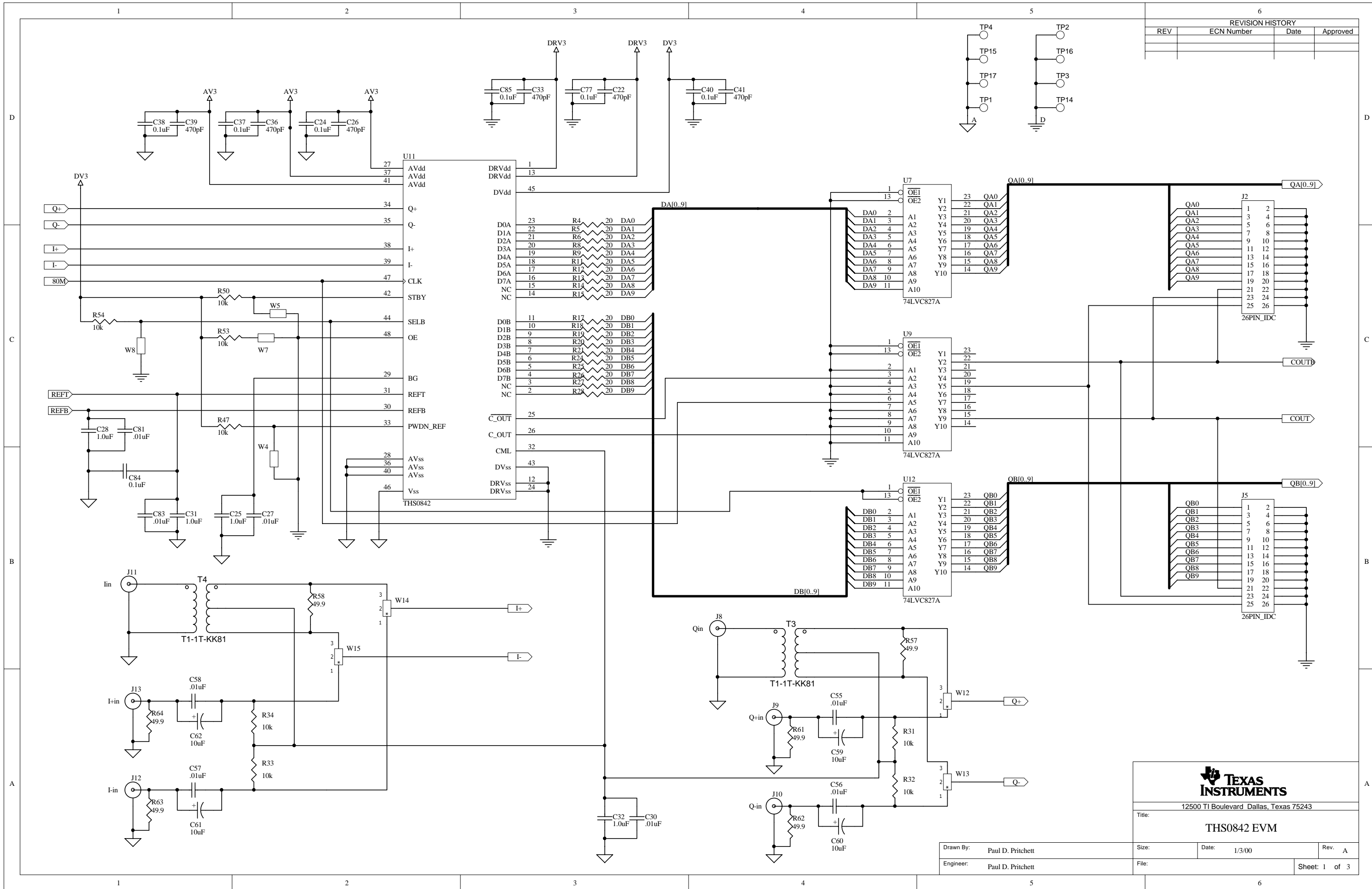
---

---

---

This Appendix contains the THS0842 EVM schematics.





REVISION HISTORY			
REV	ECN Number	Date	Approved

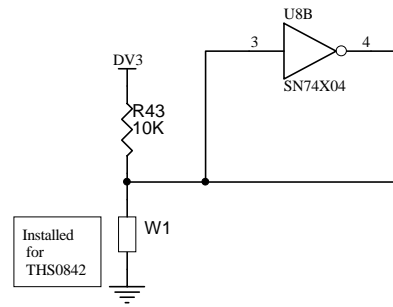
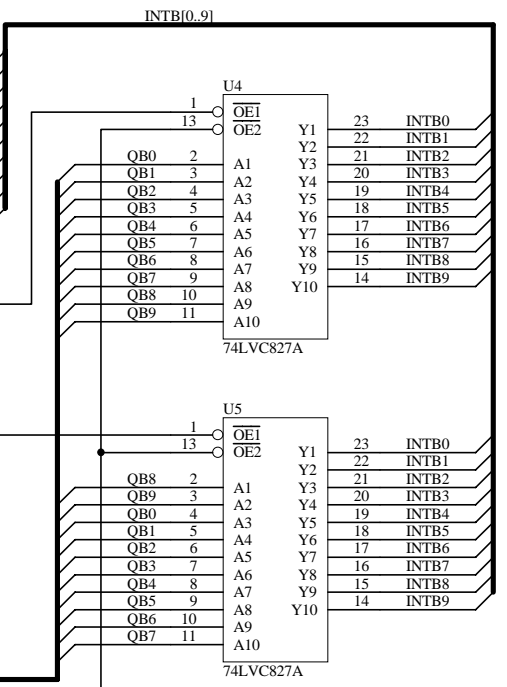
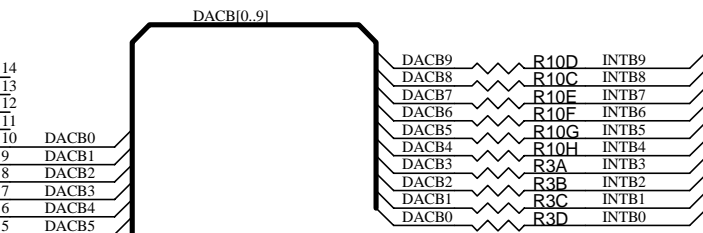
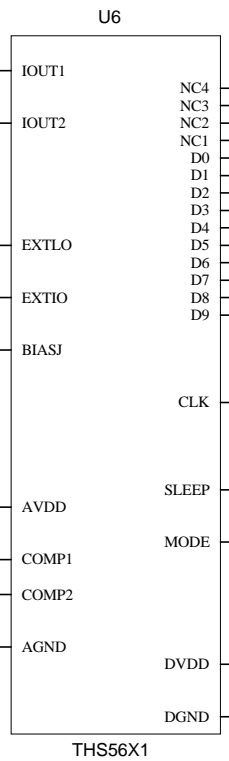
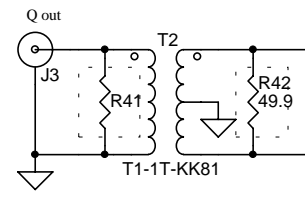
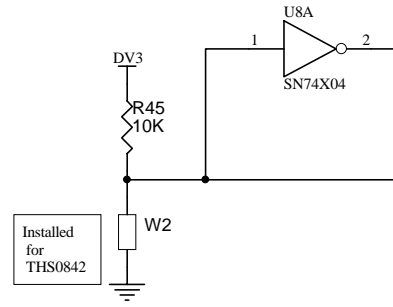
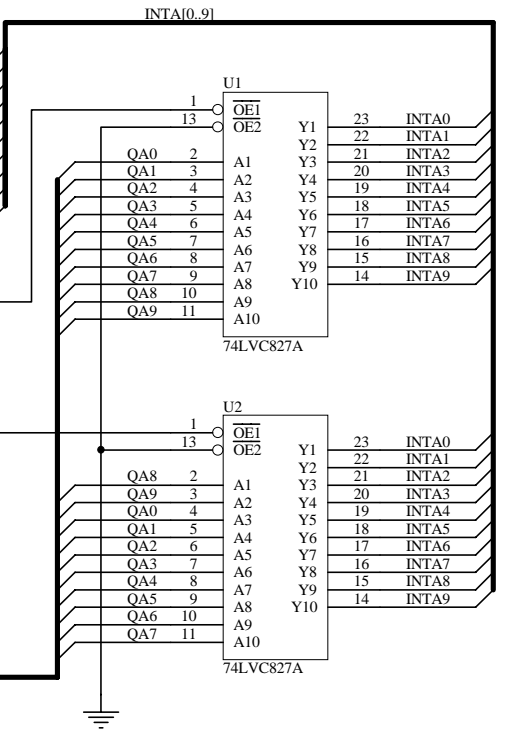
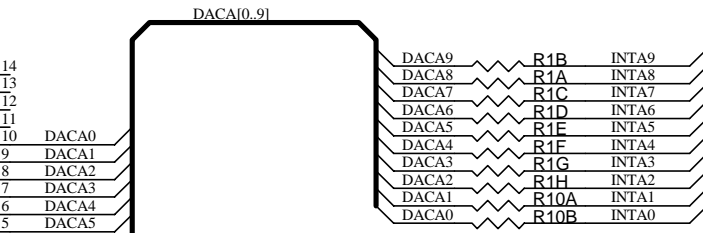
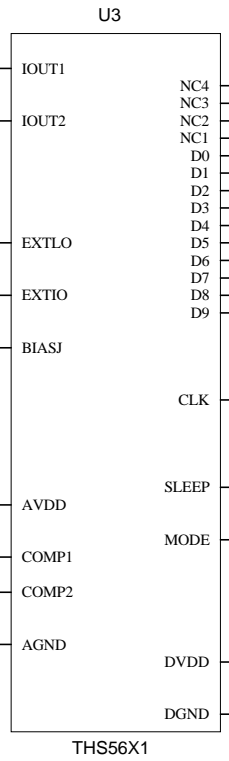
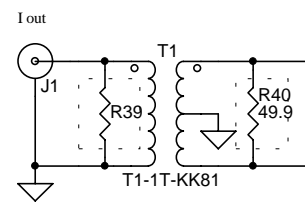
**TEXAS INSTRUMENTS**

12500 TI Boulevard Dallas, Texas 75243

**THS0842 EVM**

Drawn By: Paul D. Pritchett	Size:	Date: 1/3/00	Rev. A
Engineer: Paul D. Pritchett	File:	Sheet: 1 of 3	

REVISION HISTORY			
REV	ECN Number	Date	Approved

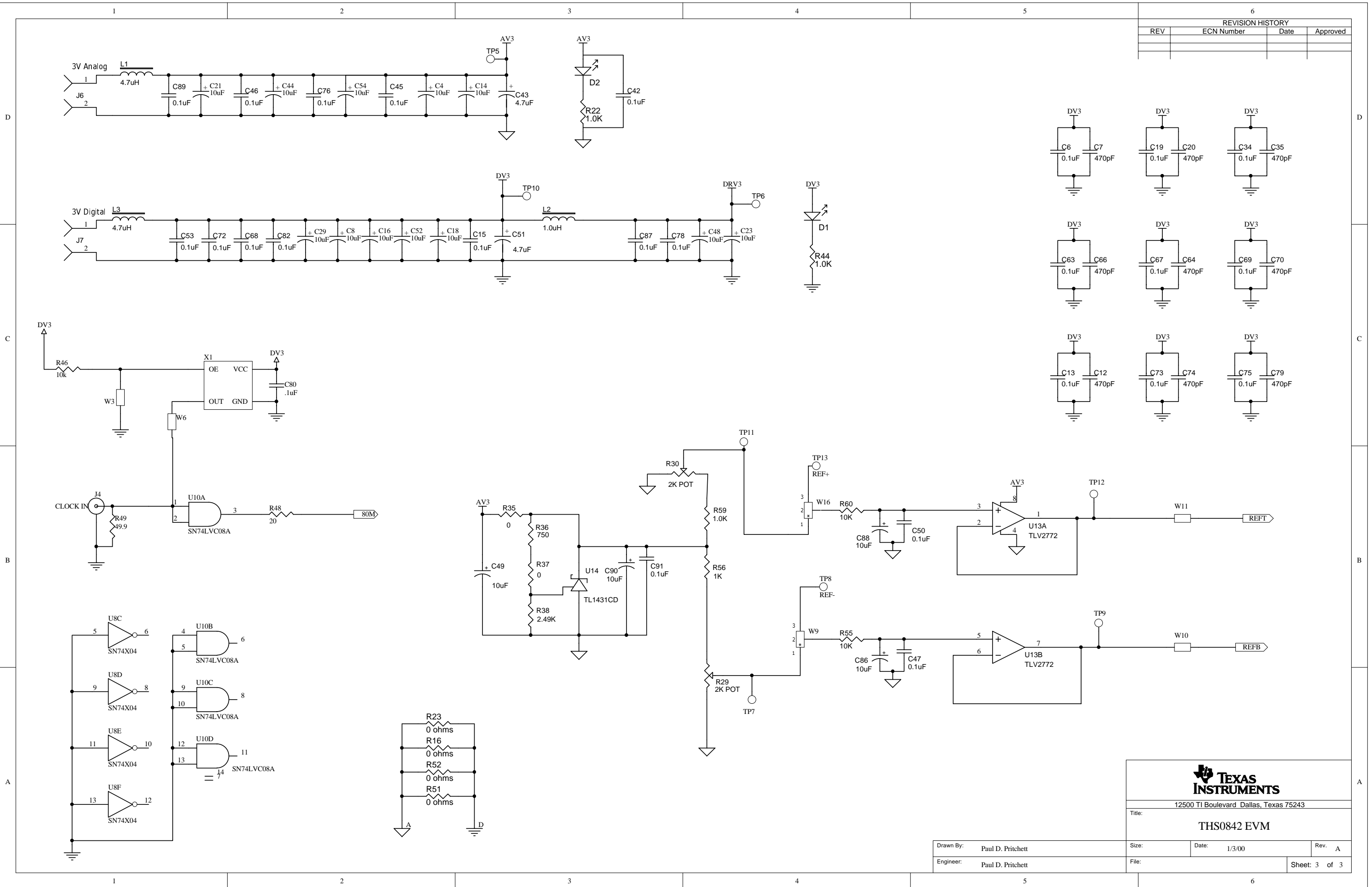


12500 TI Boulevard Dallas, Texas 75243

THS0842 EVM

Drawn By:	Paul D. Pritchett	Size:	Date:	1/3/00	Rev.	A
Engineer:	Paul D. Pritchett	File:			Sheet:	2 of 3

REVISION HISTORY			
REV	ECN Number	Date	Approved



**TEXAS INSTRUMENTS**  
 12500 TI Boulevard Dallas, Texas 75243

Title: **THS0842 EVM**

Drawn By: Paul D. Pritchett	Size:	Date: 1/3/00	Rev. A
Engineer: Paul D. Pritchett	File:	Sheet: 3 of 3	