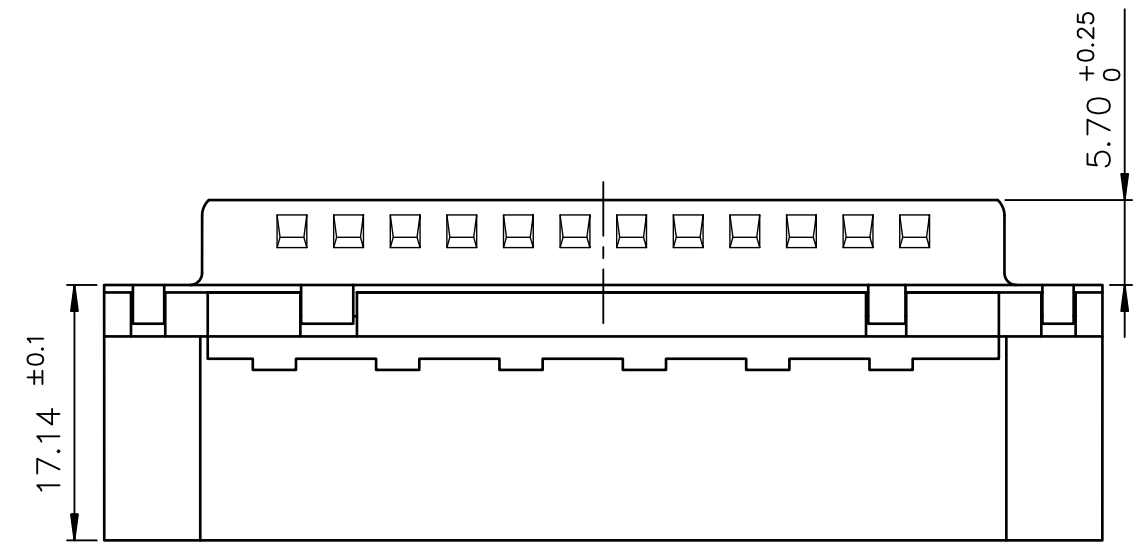
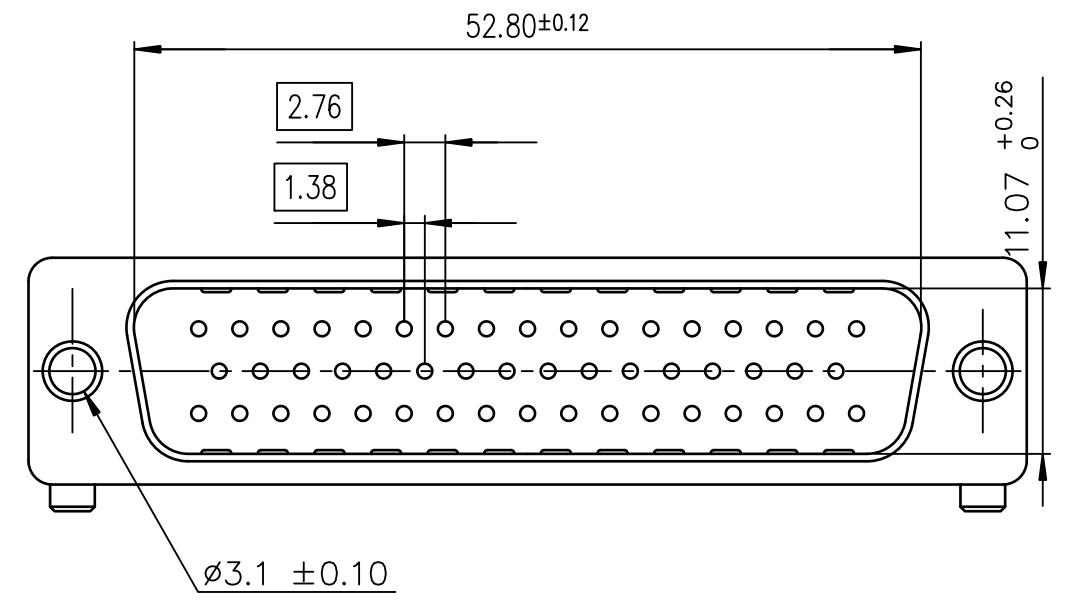
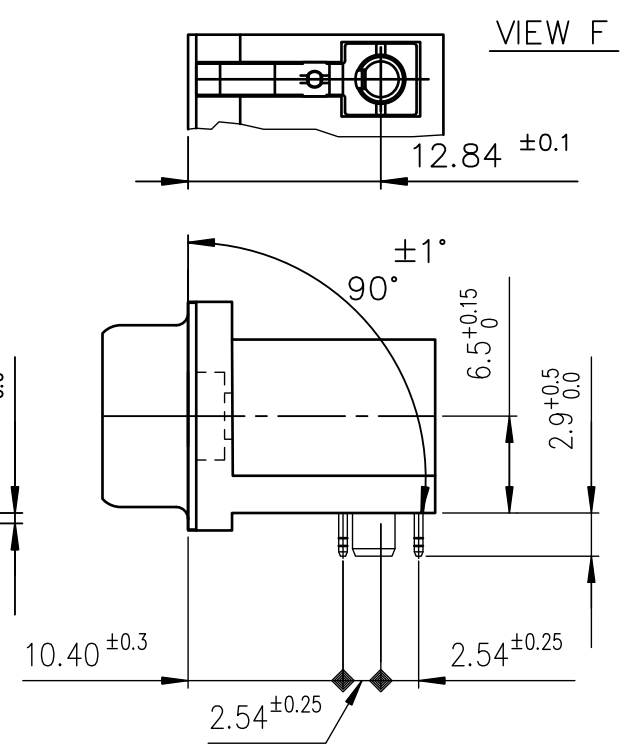
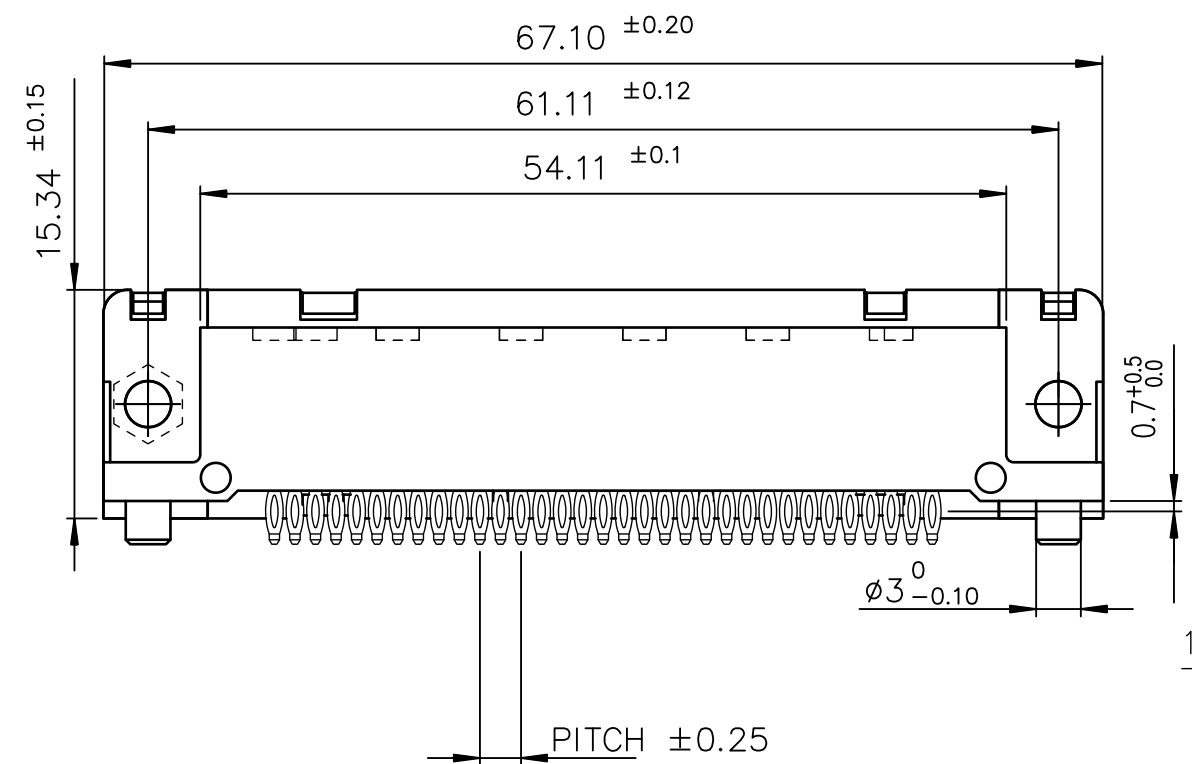


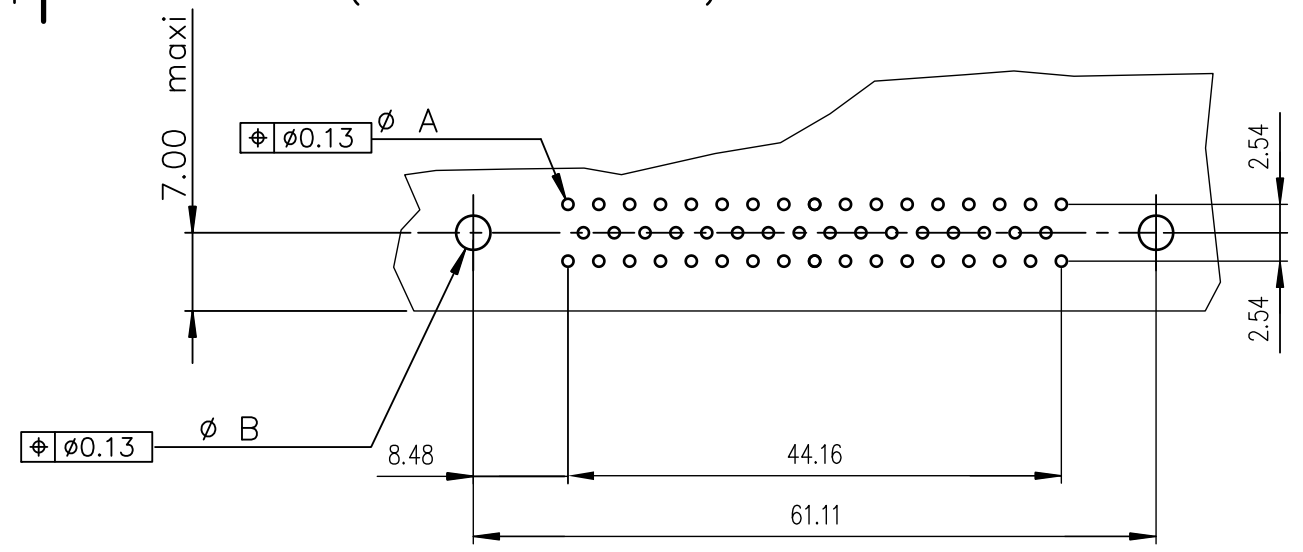


FCIconnect.com

Copyright FCI



PC card drilling dimensions(after plating) scale:1.5
(thickness 1.60 ±0.10mm)



GENERAL CHARACTERISTICS AND ROHS INFORMATIONS:

SEE DRAWING C01-8646-0001

Part Number	Performance
D50P82C4PA00LF	200 Mating cycles
D50P82C6PA00LF	500 Mating cycles

mat'l. code		surface ISO 1302		tolerance ISO 406 ISO 1101		projection		product family	
-		✓		tolerances unless otherwise specified		MM		D-SUB	
ltr	ecn no	dr	date	angles	linear	scale 2:1		title	
D	ELX-I-18050	MP	2014/06/23	0°±2°	.0±0.1 .00±0.1 .000±0.1			DELTA-D EUROSTYLE MALE 50 RIGHT ANGLED PRESS FIT	
sheet index		revision sheet		dr		engr		dwg no	
1		1		JOURBERT		MITHUN PAUL		sheet 1 of 1	
				1999/07/30		2014/06/23		size	
				2014/06/23		2014/06/23		A3	
				2014/06/23		FCI		C01-8646-0569	
				appd BIJU K PAUL		type		Product Customer Drawing	