



# 4 MHz LC High Pass Filter

**Part Number: AE4H9788**



## Electrical Specifications

**Cutoff Frequency (Fc):** 4 MHz  
**Passband:** 4-18 MHz  
**Insertion Loss @8 MHz:** 0.5dB Max.  
**Passband Return Loss:** 15dB Min.  
**Rejection:** 51 dB Min. @ 1.51 MHz

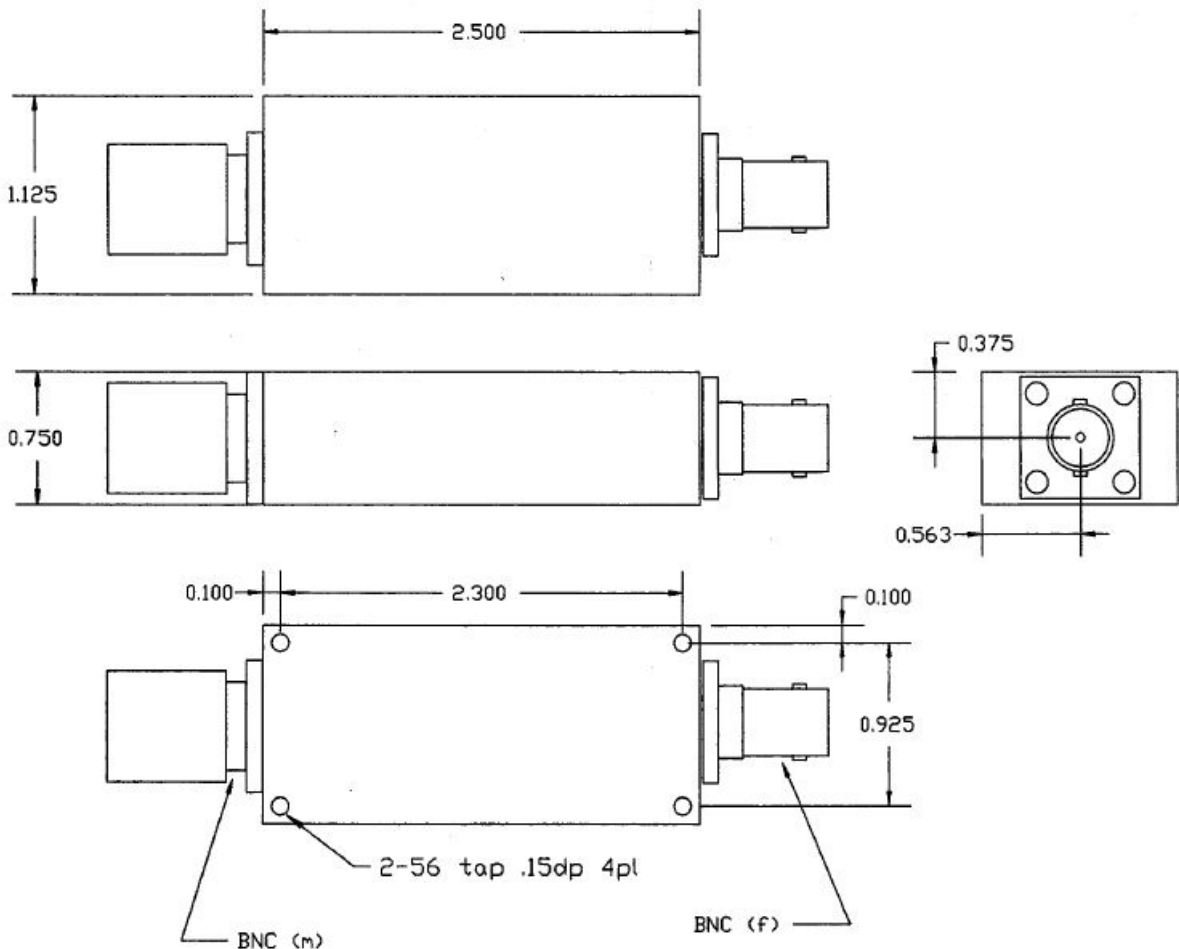
## Mechanical

**Connector Type:** BNC(M) & BNC(F)  
**Dimensions:** 2.5" x 1.125" x 0.75"

## Environmental

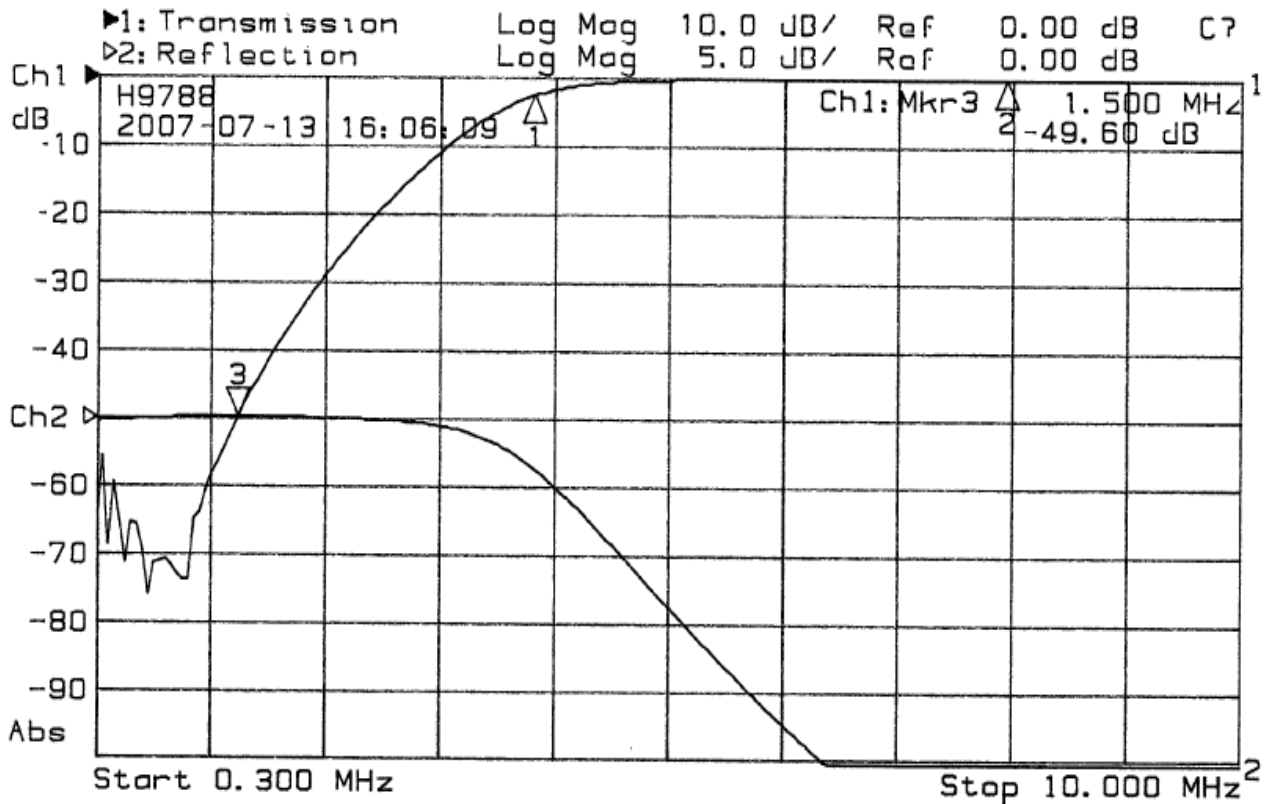
**Operating Temperature:** -25°C to +70°C  
**Storage Temperature:** -40°C to +90°C  
**Shock:** 10 G. 11ms  
**Vibration:** 10 G. 5 to 200Hz

## Outline Drawing:





### Response Plot :



1: Mkr (MHz)	dB	2: Mkr (MHz)	dB
1:	4.00	-2.55	
2:	8.00	-0.04	
3>	1.50	-49.60	

