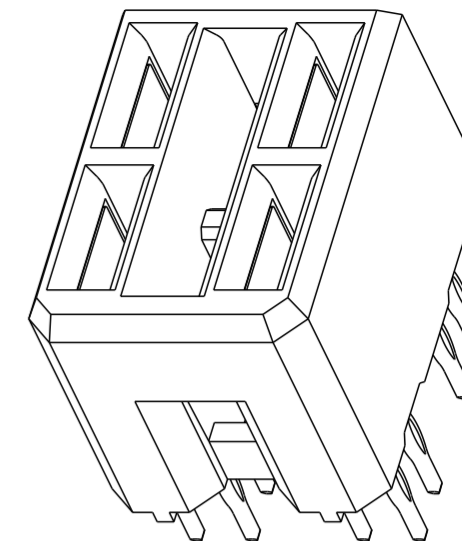
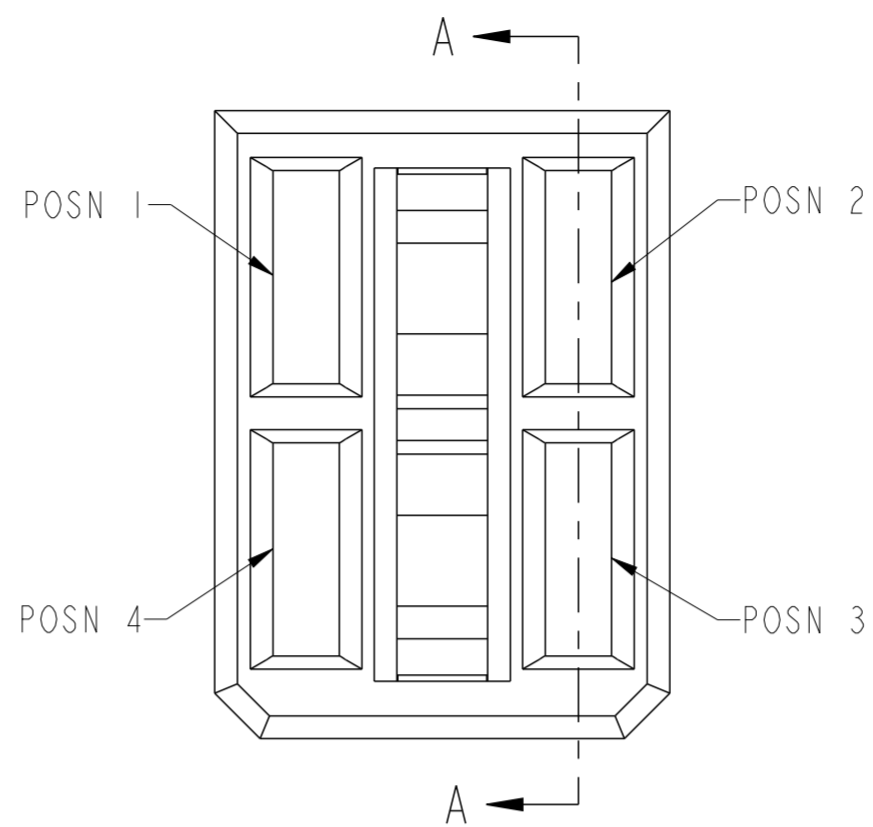
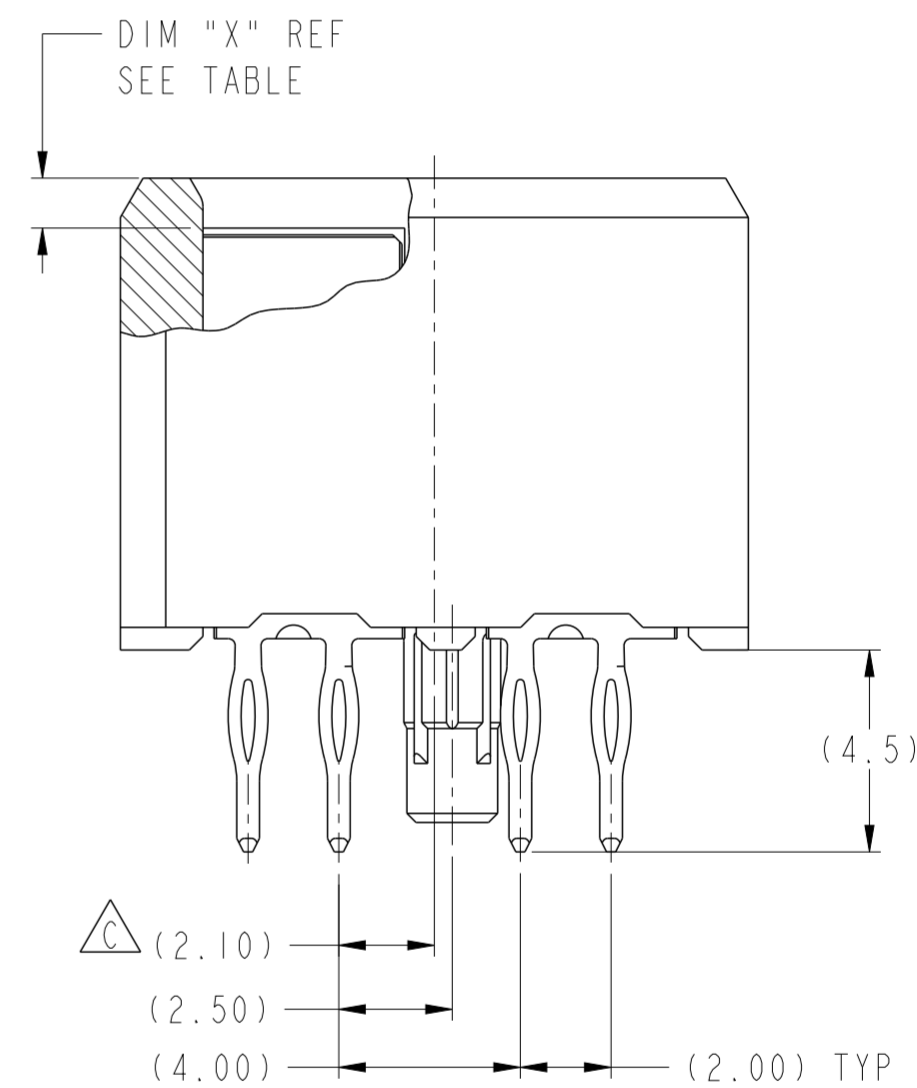
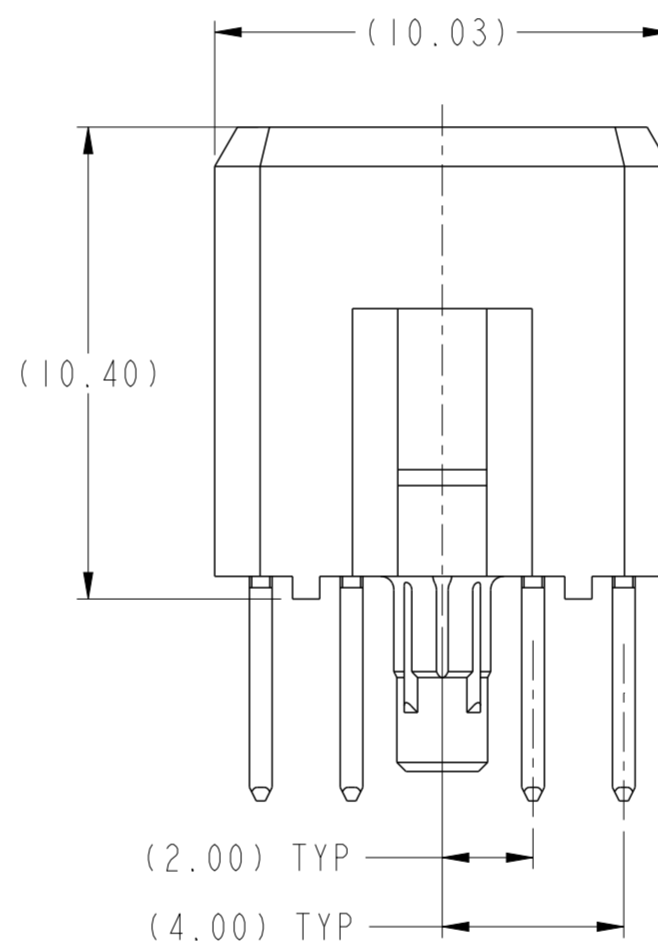
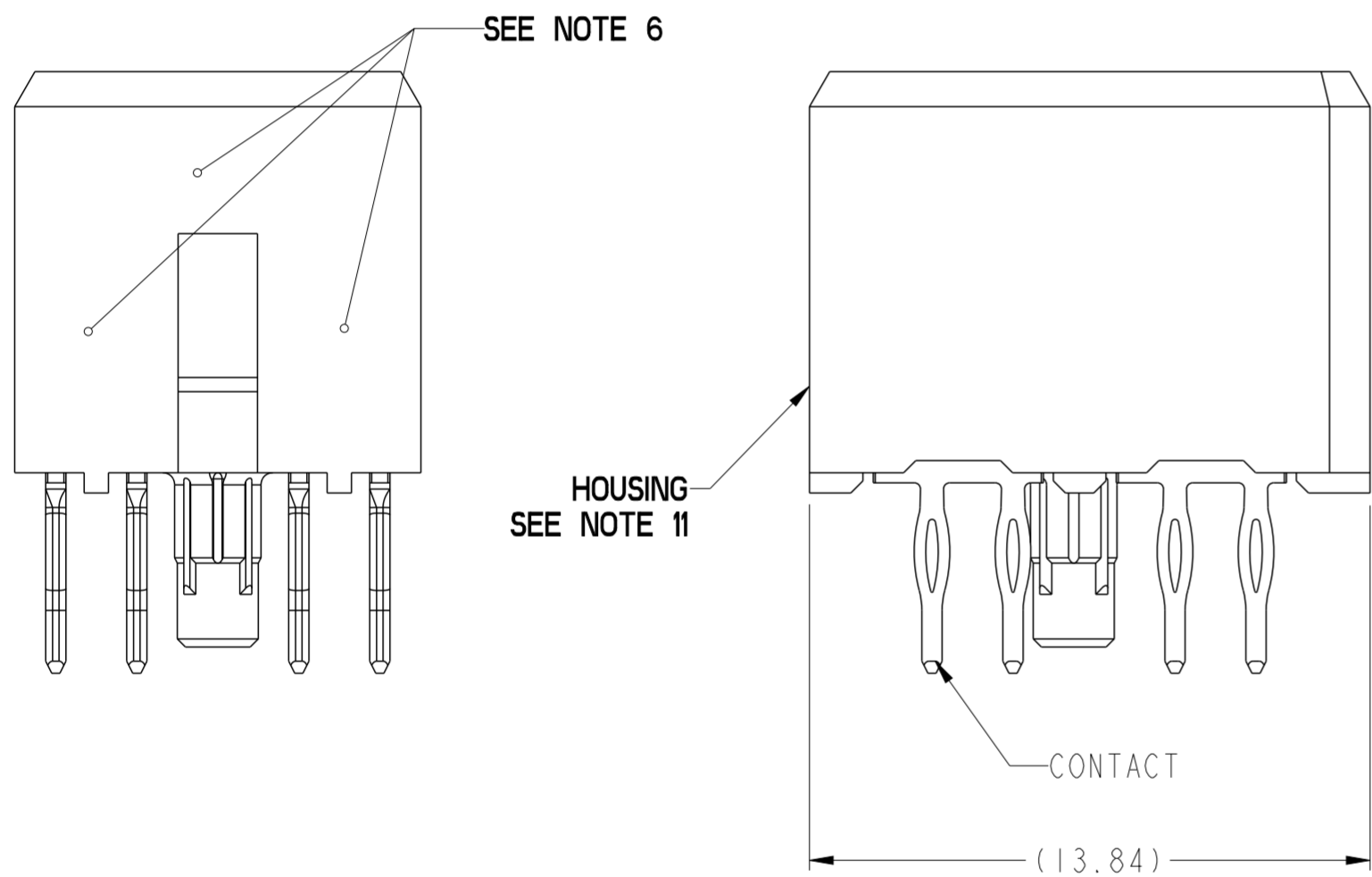


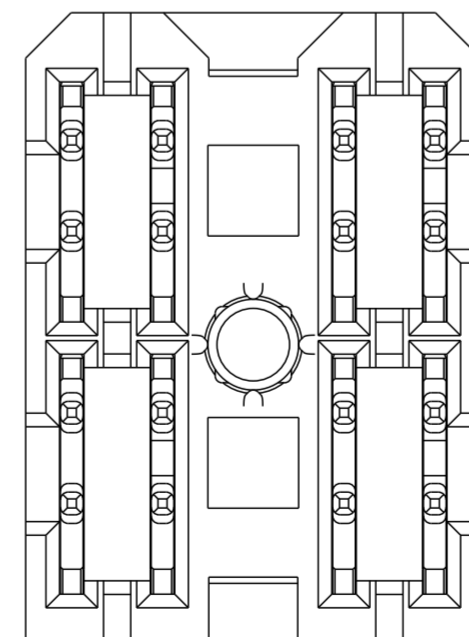
PRODUCT NUMBER ("LF" DENOTES LEAD-FREE)	CONTACT PLATING NOTE	MATING LENGTH, DIM "X"				ROHS COMPATIBILITY
		POSN 1	POSN 2	POSN 3	POSN 4	
10124646-4444P00	2a	1.10	1.10	1.10	1.10	N/A
10124646-4444P00LF	2b					SEE NOTE 9
10124646-5555P00	2a	2.60	2.60	2.60	2.60	N/A
10124646-5555P00LF	2b					SEE NOTE 9
10124646-4555P00	2a	1.10	2.60	2.60	2.60	N/A
10124646-4555P00LF	2b					SEE NOTE 9
10124646-5455P00	2a	2.60	1.10	2.60	2.60	N/A
10124646-5455P00LF	2b					SEE NOTE 9
10124646-5545P00	2a	2.60	2.60	1.10	2.60	N/A
10124646-5545P00LF	2b					SEE NOTE 9
10124646-5554P00	2a	2.60	2.60	2.60	1.10	N/A
10124646-5554P00LF	2b					SEE NOTE 9
10124646-4554P00	2a	1.10	2.60	2.60	1.10	N/A
10124646-4554P00LF	2b					SEE NOTE 9
10124646-4455P00	2a	1.10	1.10	2.60	2.60	N/A
10124646-4455P00LF	2b					SEE NOTE 9
10124646-5544P00	2a	2.60	2.60	1.10	1.10	N/A
10124646-5544P00LF	2b					SEE NOTE 9



SCALE 4:1



SECTION A-A



spec ref	GS-12-220	dr	S Paulgandian	2013/03/11	projection	MM	size	A2	scale	6:1				
tolerance std	ASME Y14.5	eng	Suzie Nah	2013/11/07			ecn no	ELX-S-16034-1	rel level	Released				
TOLERANCES UNLESS OTHERWISE SPECIFIED		chr	-	app							Chen-Hong Tan	2013/11/14	product family	2mm High Power
surface	3/2	linear	0.X	±0.3							0.XX	±0.1	0.XXX	±0.050
ASME Y14.5		www.fci.com	cat. no.	-	Product - Customer Drw	sheet 1 of 2	rev	C						

PDS: Rev :C

STATUS:Released

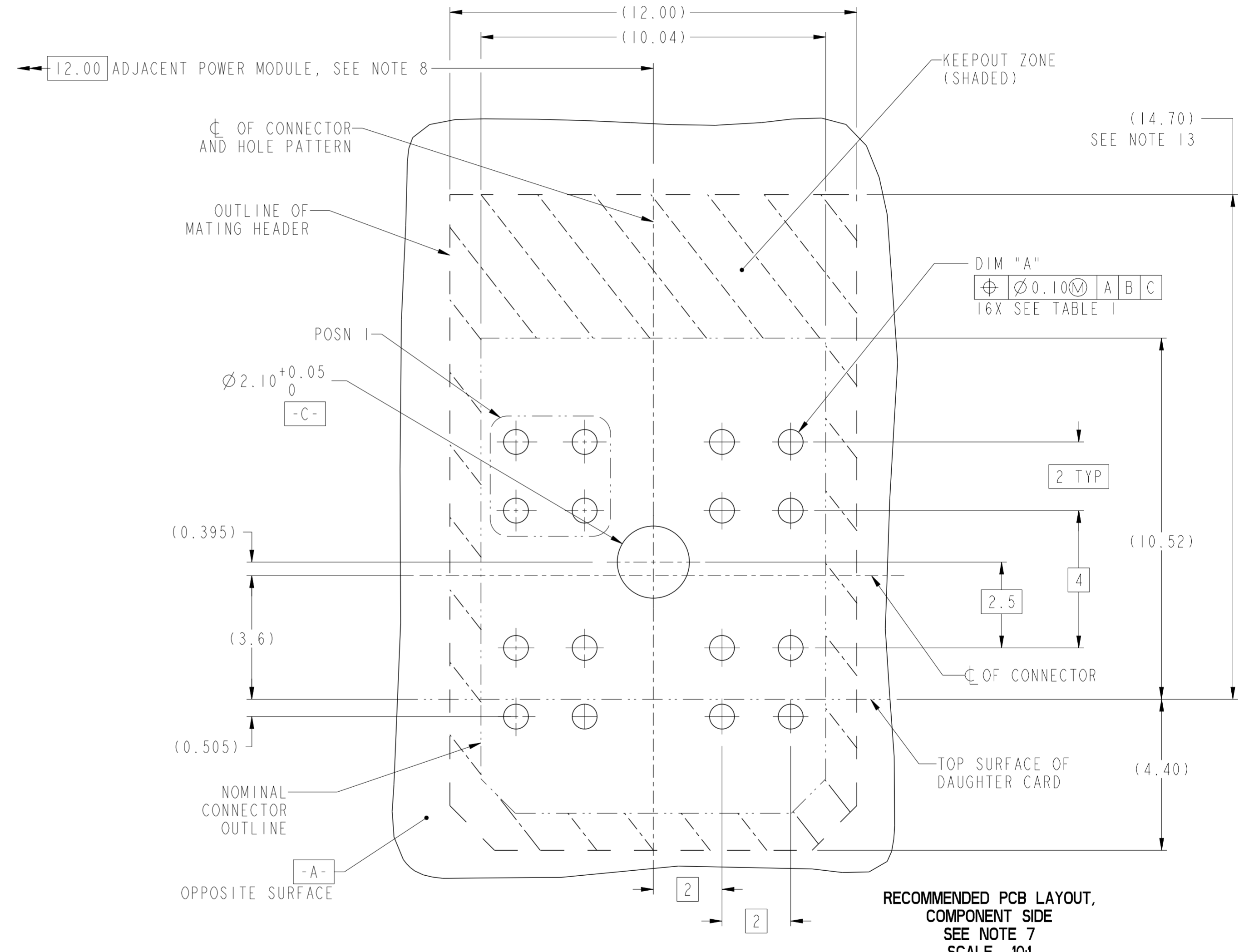
Printed: Nov 15, 2013



Copyright FCI.

TOP LAYER DESCRIPTION	TABLE I PLATED THROUGH-HOLE REQUIREMENTS							
	DRILLED HOLE DIAMETER	COPPER THICKNESS	TIN-LEAD THICKNESS	NICKEL THICKNESS	GOLD THICKNESS	TIN THICKNESS	SILVER THICKNESS	FINISHED HOLE DIAMETER (DIM "A")
TIN-LEAD	0.81-0.86 (0.85 DRILL)	0.025 - 0.050	0.005 - 0.015	--	--	--	--	0.65 - 0.80
IMMERSION TIN	0.81-0.86 (0.85 DRILL)	0.025 - 0.050	--	--	--	0.9 - 1.5um	--	0.70 - 0.80
IMMERSION SILVER	0.81-0.86 (0.85 DRILL)	0.025 - 0.050	--	--	--	--	0.15 - 0.65um	0.70 - 0.80
COPPER (SEE NOTE 12)	0.81-0.86 (0.85 DRILL)	0.025 - 0.050	--	--	--	--	--	0.70 - 0.80
GOLD	0.81-0.86 (0.85 DRILL)	0.025 - 0.050	--	0.003 - 0.007	FLASH UP TO 0.0002	--	--	0.69 - 0.80

- NOTES:
- CONNECTOR MATERIALS:  
HOUSING: HIGH TEMPERATURE THERMOPLASTIC, BLACK  
UL 94V-0 COMPLIANT  
CONTACT: HIGH PERFORMANCE COPPER ALLOY
  - a) CONTACT PLATING (LEADED):  
PRESS-FIT TAIL: TIN-LEAD OVER NICKEL.  
b) CONTACT PLATING (LEAD-FREE):  
PRESS-FIT TAIL: MATTE TIN OVER NICKEL.
  - SEPARABLE INTERFACE: 0.76 um MIN GXT OVER NICKEL
  - PRODUCT SPECIFICATION: GS-12-220
  - APPLICATION SPECIFICATION: GS-20-023
  - PRODUCT MARKING (PRODUCT NUMBER & LOT CODE) ON HOUSING IN AREA SHOWN, EITHER SIDE.
  - MINIMUM NOMINAL BOARD THICKNESS: 2.4mm
  - REFER TO CUSTOMER DRAWING SKI0035911 FOR INFORMATION REGARDING PCB LAYOUT OF POWER AND GUIDE MODULES RELATIVE TO AIRMAX SIGNAL MODULES.
  - PRODUCT MEETS EUROPEAN UNION DIRECTIVES AND OTHER COUNTRY REGULATIONS AS DESCRIBED IN FCI SPECIFICATION GS-22-008.
  - PACKAGING MEETS FCI SPECIFICATION GS-14-920
  - HOUSING COMPONENT WILL WITHSTAND EXPOSURE TO 260° PEAK TEMPERATURE FOR 60 SECONDS IN A CONVECTION, INFRA-RED OR VAPOR-PHASE REFLOW OVEN.
  - COPPER PLATING THICKNESS AT CENTER OF VIA HOLE CAN BE NO MORE THAN 0.003 LESS THAN OTHER AREAS.
  - KEEPOUT AREA APPLICABLE FOR HIGH PROFILE POWER HEADER WITH 14.70MM HEIGHT ABOVE TOP SURFACE OF DAUGHTER CARD. IT MAY BE 11.5MM IF A LOWER PROFILE HEADER IS USED.
  - A  $\triangle$  SYMBOL WILL BE NEXT TO ANY DIMENSION, VIEW, OR NOTE WHICH HAS BEEN MODIFIED WITH THE CURRENT DRAWING REVISION



RECOMMENDED PCB LAYOUT,  
COMPONENT SIDE  
SEE NOTE 7  
SCALE 10:1

spec ref	GS-12-220	dr	S Paulgandian	2013/03/11	projection	MM	size	A2	scale	3:1	
tolerance std	ASME Y14.5	eng	Suzie Nah	2013/11/07	chr	-	ecn no	ELX-S-16034-1	rel level	Released	
surface	linear	0.X	±0.3	0.XX	±0.1	0.XXX	±0.050	angular	0°	±2°	
ASME Y14.5	angular	0°	±2°	www.fci.com		cat. no.	-	Product - Customer Drw	sheet 2 of 2	rev	C

PDS: Rev :C

STATUS:Released

Printed: Nov 15, 2013

Copyright FCI. FCI