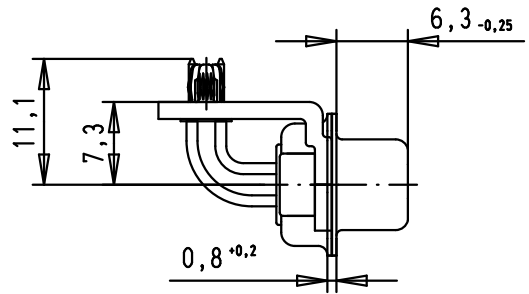
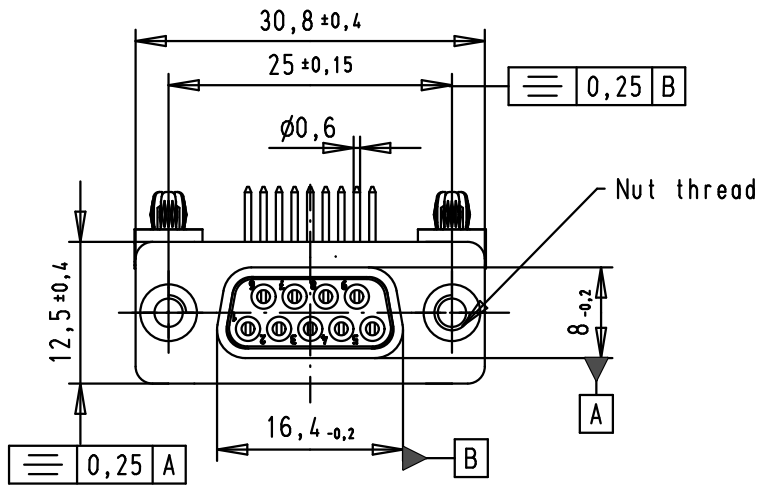


5 4 3 2 1

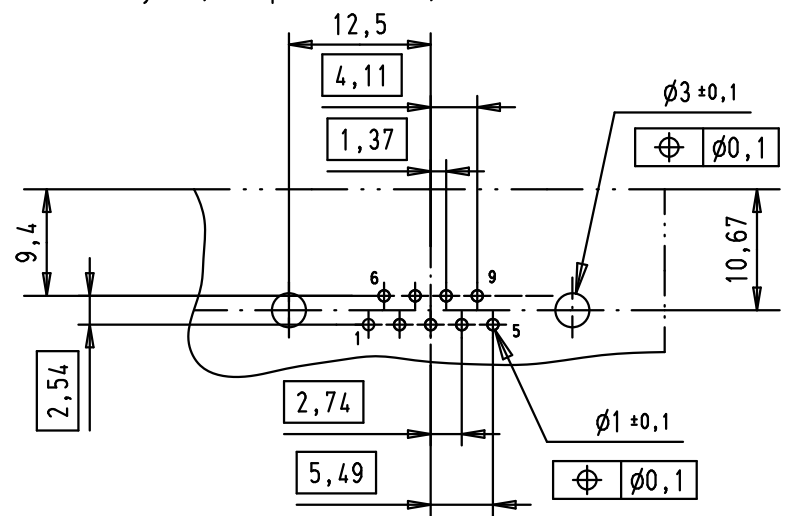
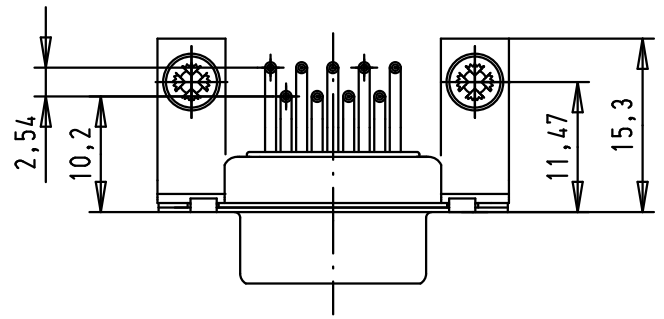
SPECIFICATION

Performance level	PL2
Filter type	C
Capacitance	47pf±20%
Working Voltage	100v
Current Rating	7,5A
Insulation Resistance	>1GΩ

FREQUENCY (MHz)	ATTENUATION dB
5	-
10	-
50	-
100	-
500	30dB
1000	35dB



PCB Layout, Component side, thickness 1.6 mm



D
C
B
A

09641147213	M3		36283	12/01/12	SD				
09641147212	UNC 4-40		33231	07/10/05	JMDR				
Part number	Nut thread		31058	8-JUL-02	CV				
			Mod.	Dat.	Name				

	Dat.	Name
Detail.	8-JUL-02	CV
Insp.	12/01/12	JB
Stand.		

All Dim. in mm
Orig. Size DIN A 4

HARTING EURL
F-95972 Paris

D-Sub, female, angled,
9 Poles, solder pins,
board-locks and clinch-nuts

TB 0964114721x

Sub.

Ma?Mstab/
Scale
1.5:1

Blatt/ Page
1 / 4