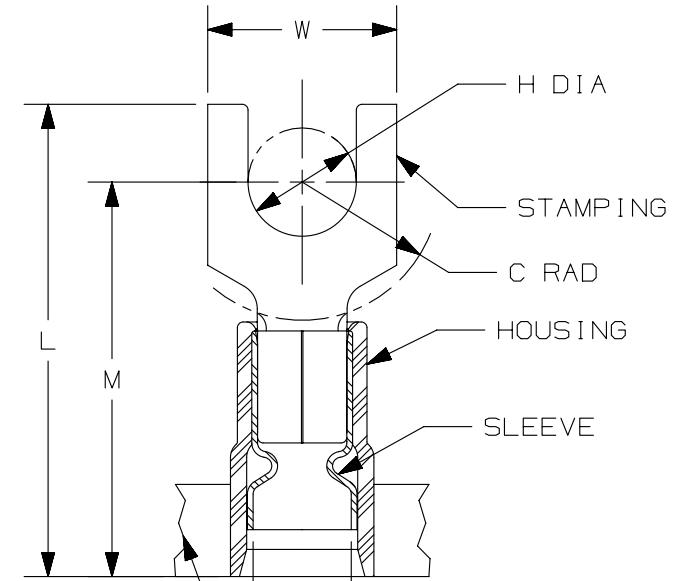


THIS COPY IS PROVIDED ON A RESTRICTED BASIS AND IS NOT TO BE USED IN ANY WAY DETRIMENTAL TO THE INTERESTS OF PANDUIT CORP.

PANDUIT PART #	STUD SIZE		DIMENSIONS in. [mm]				
	ENGLISH	METRIC	L ± .04 [1,0]	W ± .01 [0,3]	C ± .02 [0,5]	M ± .03 [0,8]	H ± .01 [0,3]
PNF10-6F	#6	M3, 5	1.01 [25,7]	.31 [7,9]	.24 [6,1]	.80 [20,3]	.15 [3,8]
PNF10-8F	#8	M4	1.02 [25,9]	.37 [9,4]	.24 [6,1]	.80 [20,3]	.17 [4,3]
PNF10-10F	#10	--	1.04 [26,4]	.37 [9,4]	.22 [5,6]	.80 [20,3]	.20 [5,0]
PMNF6-5F	--	M5	1.01 [25,7]	.38 [9,7]	.24 [6,2]	.79 [20,1]	.21 [5,3]
PNF10-14F	1/4"	M6	1.15 [29,2]	.49 [12,5]	.32 [8,1]	.90 [22,9]	.27 [6,9]



NOTES:

- USED FOR:
 - A. #12-10 AWG [4,0-6,0 mm²] SOLID OR STRANDED COPPER WIRE
 - B. 221°F [105°C] MAX. OPERATING TEMPERATURE
 - C. 600 V. MAX. VOLTAGE RATING
- INSTALLATION TOOLS:
 - A. PRESSES: CP-871
 - B. APPLICATOR: CA-800EZ, CA9
 - C. DIE INSERTS: CD-800-3, CD9-3B
- WIRE STRIP LENGTH: 11/32" ^{+1/32}₀ [8,7 ^{+0,8}₀]
- MATERIAL:
 - A. STAMPING: .04" [1,0] THK COPPER, TIN PLATED
 - B. HOUSING: VINYL, YELLOW
- SEE www.panduit.com FOR PACKAGE QUANTITIES INDICATED BY PART NUMBER SUFFIX
- DIMENSIONS IN BRACKETS ARE METRIC EQUIVALENT

CARRIER STRIP (CONFIGURATION MAY VARY)

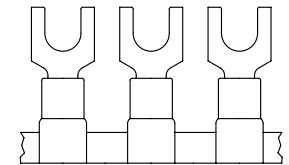
.23 [5,8] MAX. WIRE INSUL. DIA.



LISTED
587H
E52164



CERTIFIED
LR31212



REV	DATE	BY	CHK	APR	DESCRIPTION	ECN
06	09.07.12	JBN	LCA	VMB	ADDED METRIC EQUIVALENT. REVISED NOTES. UPDATED DRAWING TO CURRENT STANDARDS.	A41139

TITLE FORK TERMINALS, 3 PC. NYLON (FUNNEL) INSULATED, #12-10		PANDUIT
CUSTOMER DRAWING		
ITEM REVISION NAME N41139BA/06		MATERIAL: SEE NOTES
DATASET FILE NAME N41139BA_DC/06A		
UNLESS OTHERWISE SPECIFIED, DIMENSIONAL TOLERANCES ARE: IN [mm] .x ± .1 [2.54] .xxx ± .005 [.13] .xx ± .01 [.25] ANGLES ± 5°		
DRAWN BY GRM		DRAWING NUMBER: A41139
DATE -	CHK FS	SCALE N.T.S.
SHT 1 OF 1		SIZE A

D10100DA/15