

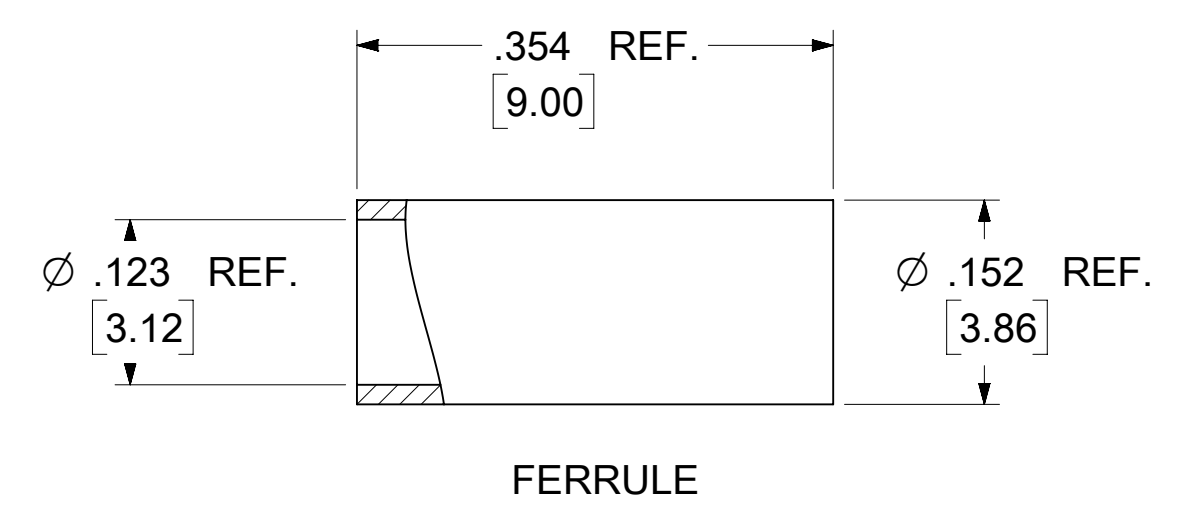
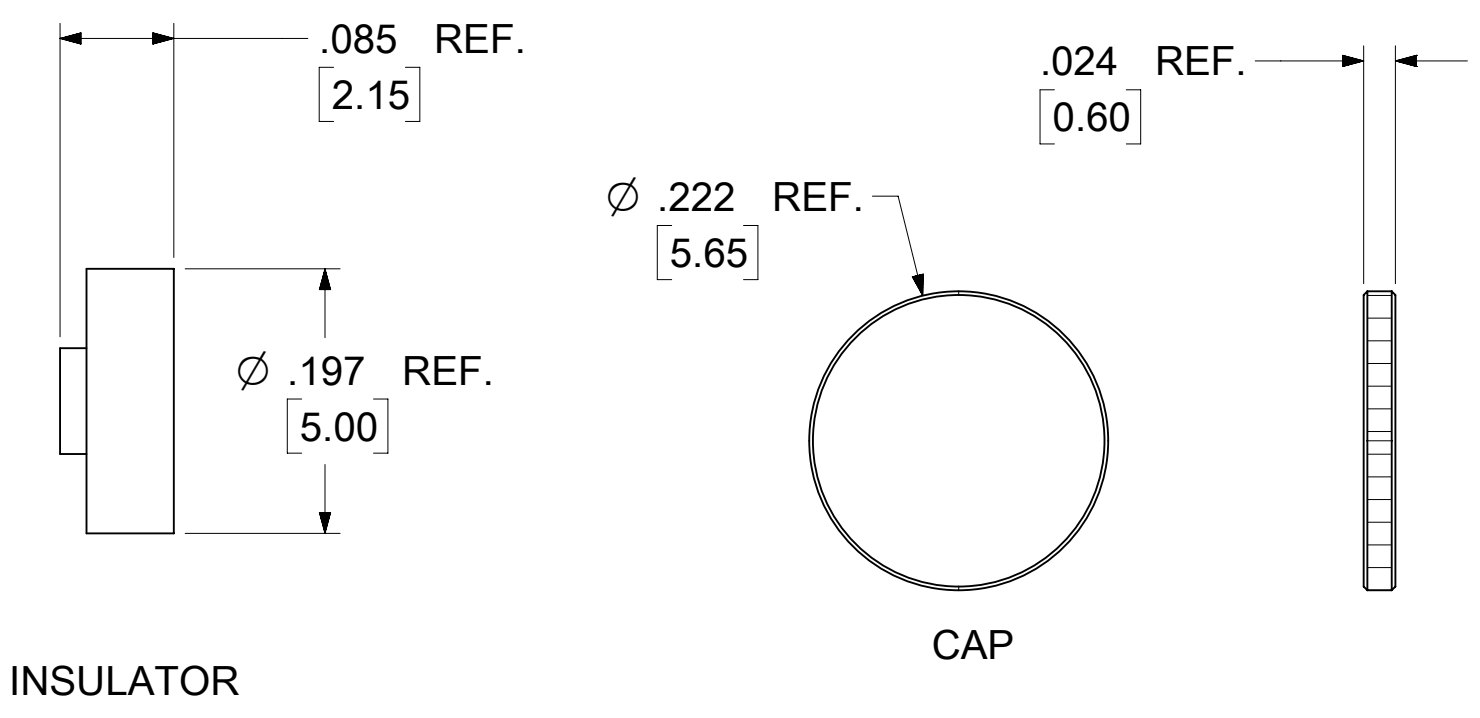
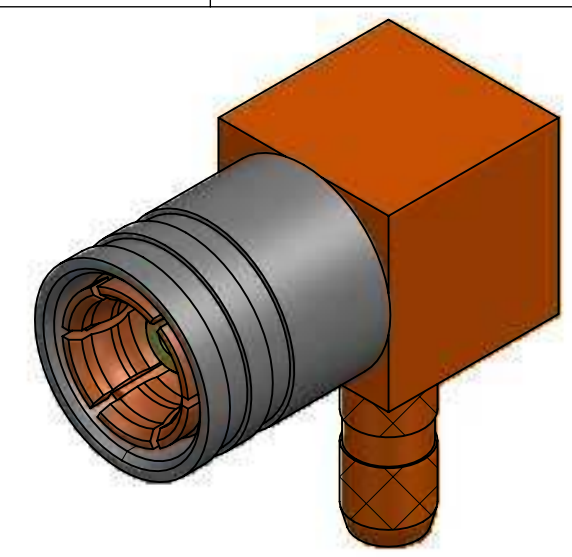
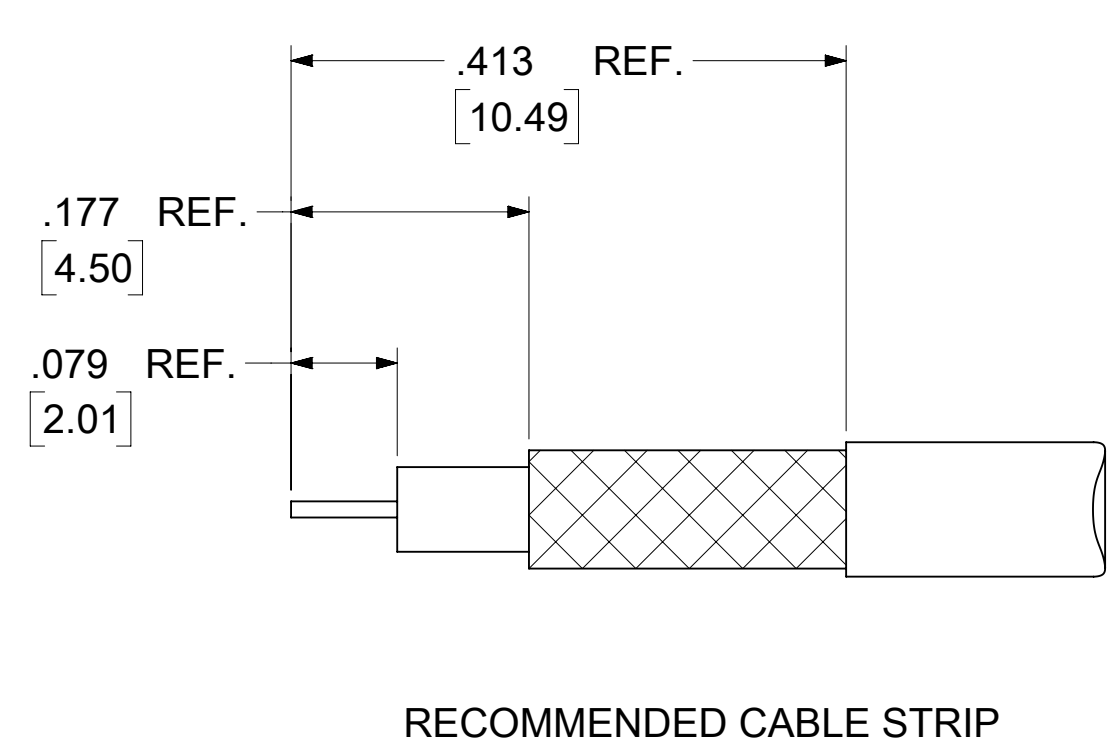
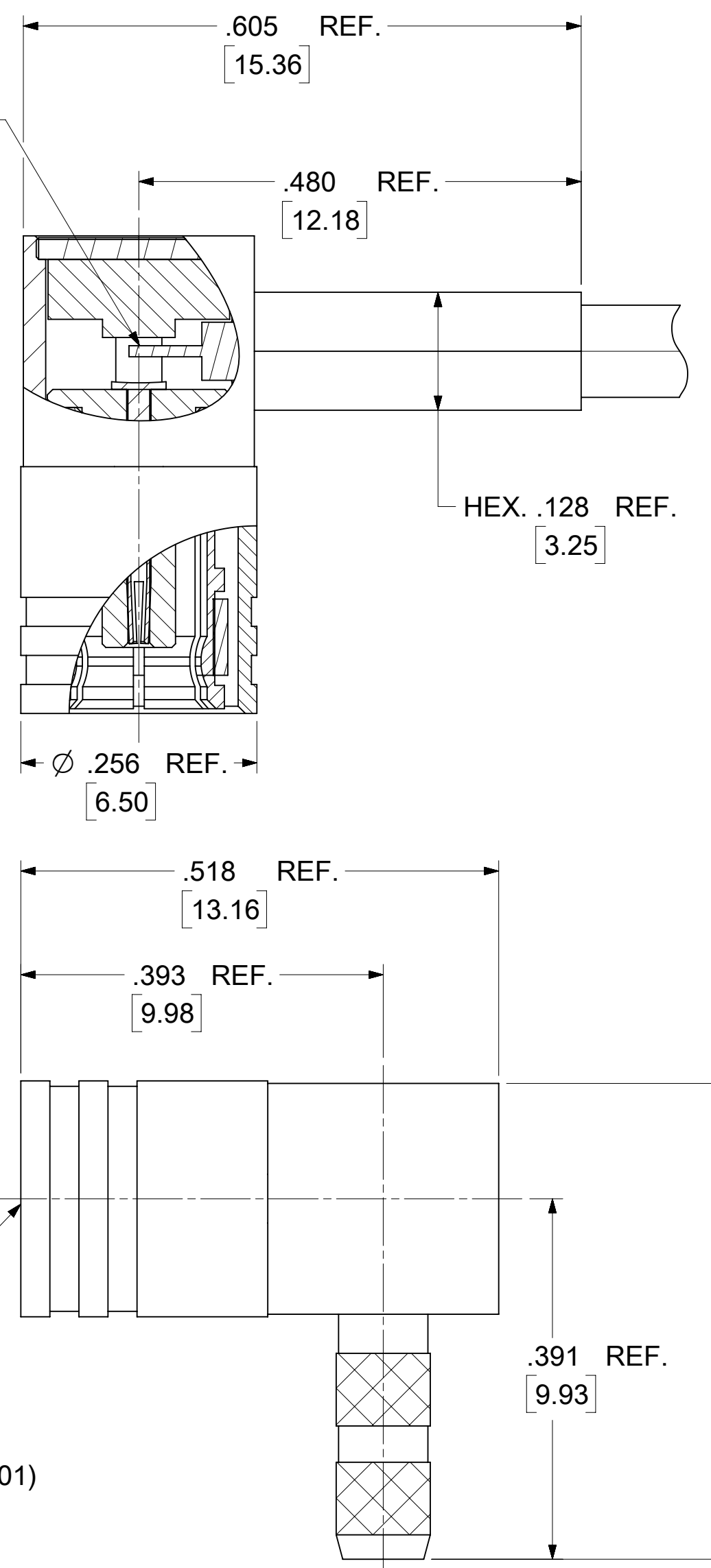
MATERIALS AND FINISHES

- BODY, FERRULE , CAP BRASS
PLATED GOLD
- CONTACT BERYLLIUM COPPER
PLATED GOLD
- INSULATOR TEFLON
- RETAINING RING: BERYLLIUM COPPER

**LABEL FORMAT FOR
73404-3000**

PART NUMBER: 73100-0256
ORDER NUMBER: 73404-3000
MOLEX
DATE: YYWW

SMB PLUG
75 OHM
ACCEPTS PIN
Ø0.38 (.015) ± 0.025 (.001)



73404-3000	1 PIECE 73100-0256 IN SINGLE BAG WITH LABEL
73100-0256	TRAY
PART NO.	PACKAGING

AS-73597-0047	ASSY. INSTRUCTION
PS-89675-3540	ELECTRO / MECH. PERFORM.
SPECIFICATION	DESCRIPTION

DOCUMENT STATUS	P1	RELEASE DATE	2020/12/02 02:24:23
-----------------	----	--------------	---------------------

FUNCTIONAL SYMBOLS FA = 0 EC = 0 EP = 0 DIVISIONAL SYMBOLS 4 PLACES ± 3 PLACES ± 2 PLACES ± 1 PLACE ± 0 PLACES ±	THIS DRAWING CONTAINS INFORMATION THAT IS PROPRIETARY TO MOLEX ELECTRONIC TECHNOLOGIES, LLC AND SHOULD NOT BE USED WITHOUT WRITTEN PERMISSION DIMENSION UNITS: INCH/MM SCALE: NTS CURRENT REV DESC: ADDED AS ON THE DRAWING PER EWR # 14130-A					
	GENERAL TOLERANCES (UNLESS SPECIFIED) ANGULAR TOL ± 2.0°					EC NO: 649818 DRWN: ELIN 2020/11/11 CHK'D: YCHENG 2020/12/02 APPR: YCHENG 2020/12/02
	DRAFT WHERE APPLICABLE MUST REMAIN WITHIN DIMENSIONS		THIRD ANGLE PROJECTION 		DRAWING: C-SIZE SERIES: 73100	
	PRODUCT CUSTOMER DRAWING DOCUMENT NUMBER: SD-73100-0256 DOC TYPE: PSD DOC PART: 001 REVISION: B6		MATERIAL NUMBER: SEE TABLE CUSTOMER: GENERAL MARKET SHEET NUMBER: 1 OF 1			

MATERIALS AND FINISHES

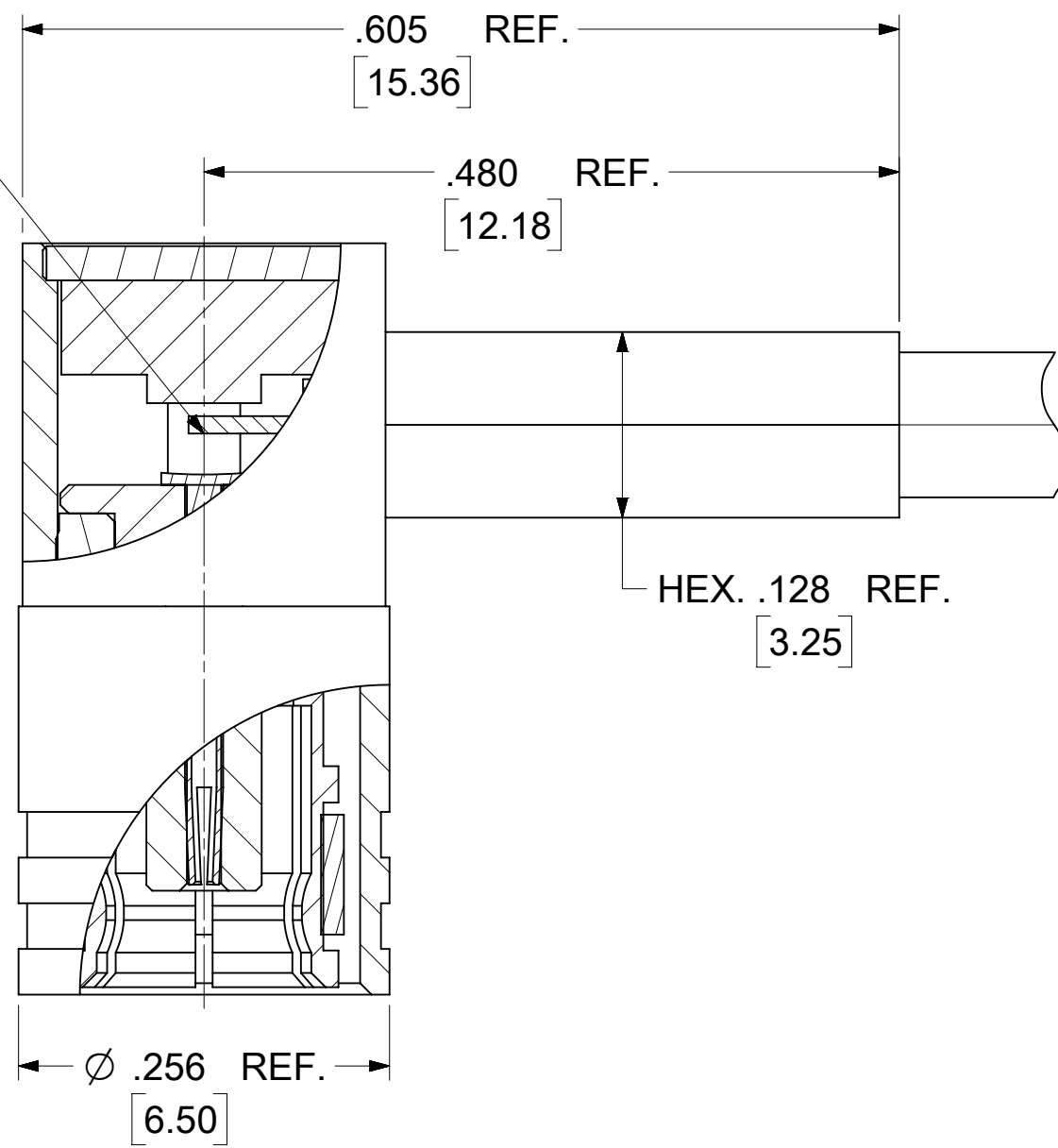
BODY, FERRULE , CAP BRASS
PLATED GOLD

CONTACT BERYLLIUM COPPER
PLATED GOLD

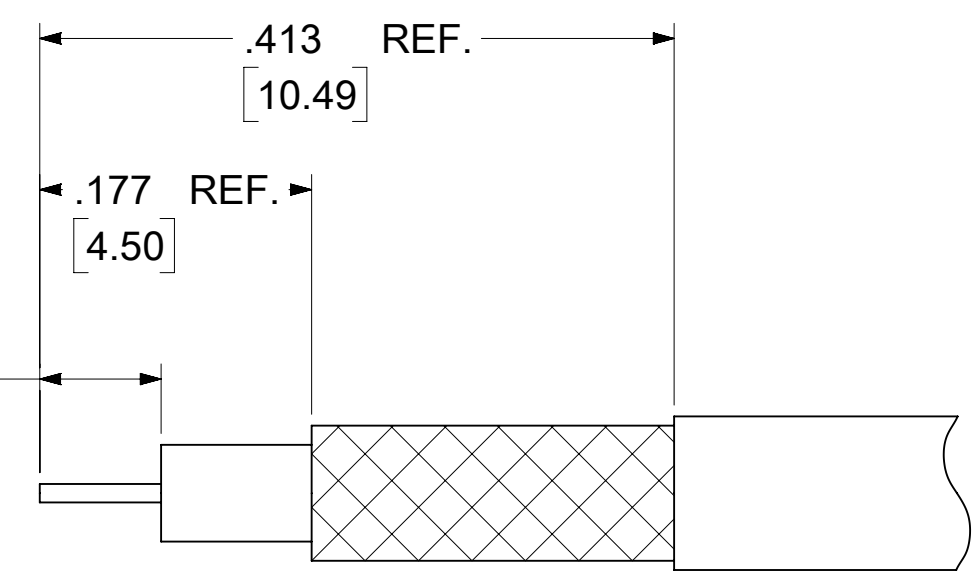
INSULATOR TEFLON

RETAINING RING: BERYLLIUM COPPER

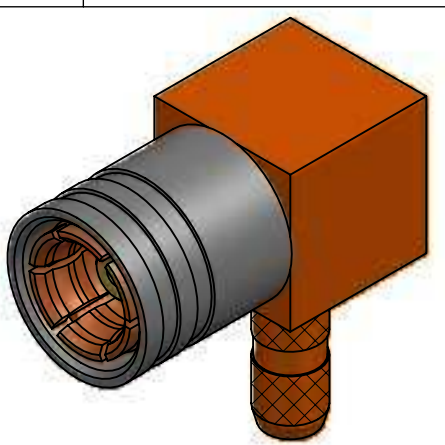
SOLDER CABLE
TO CONTACT



.079 REF.
[2.01]

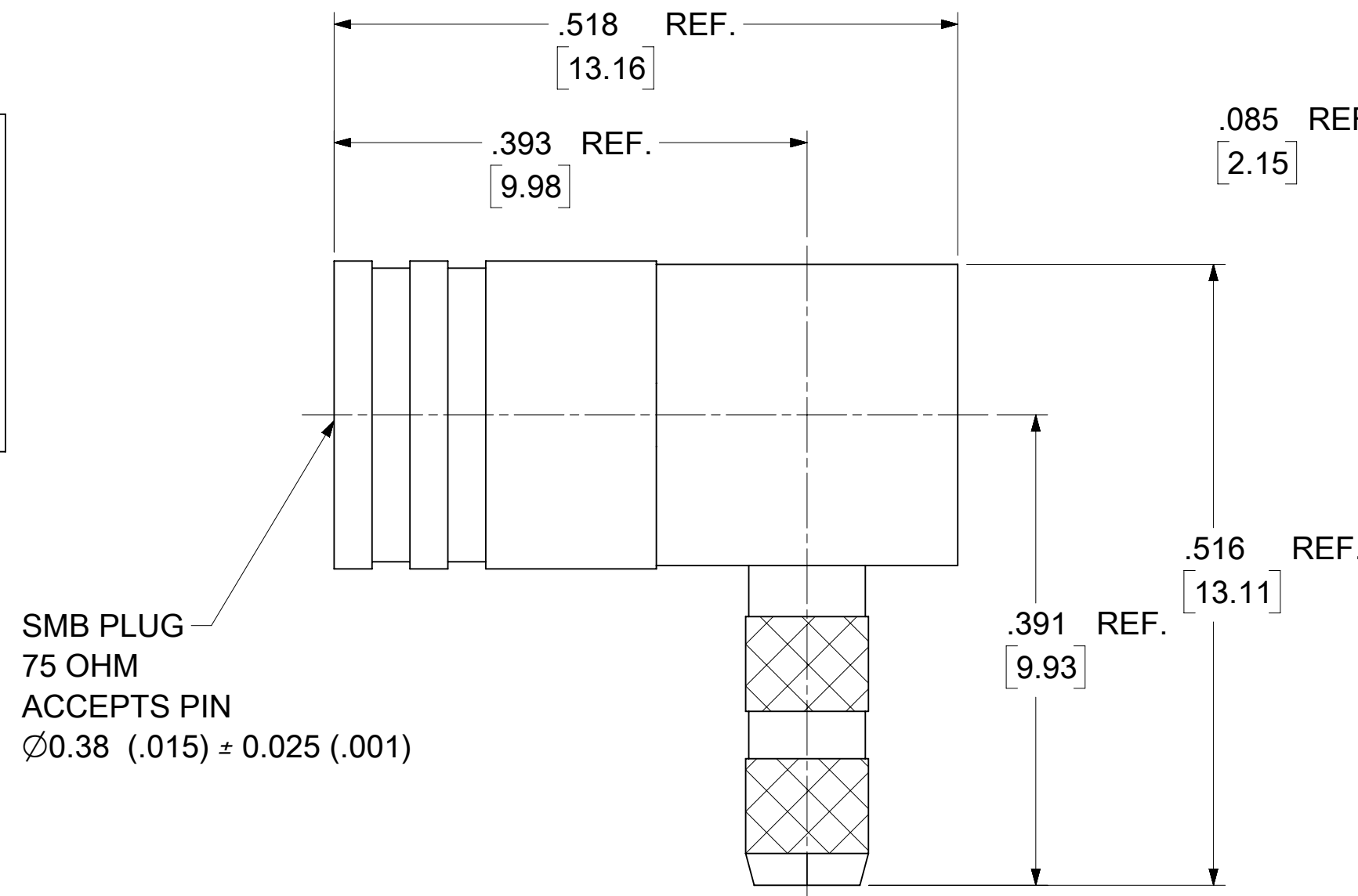


RECOMMENDED CABLE STRIP

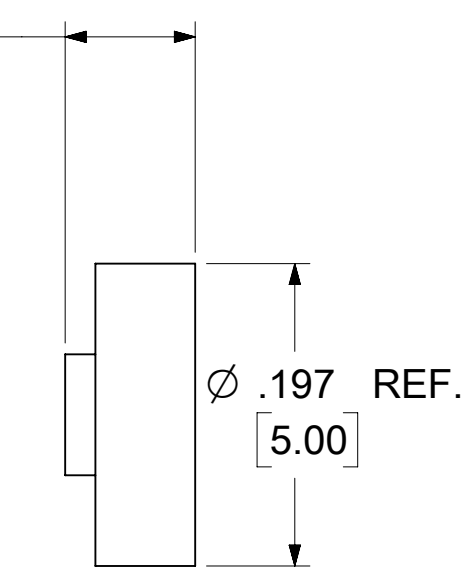


LABEL FORMAT FOR
73404-3000

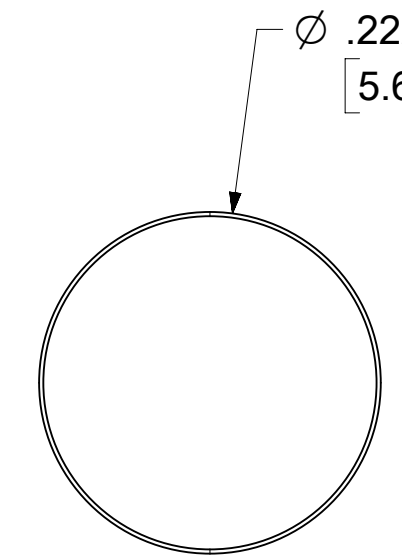
PART NUMBER: 73100-0256
ORDER NUMBER: 73404-3000
MOLEX
DATE: YYWW



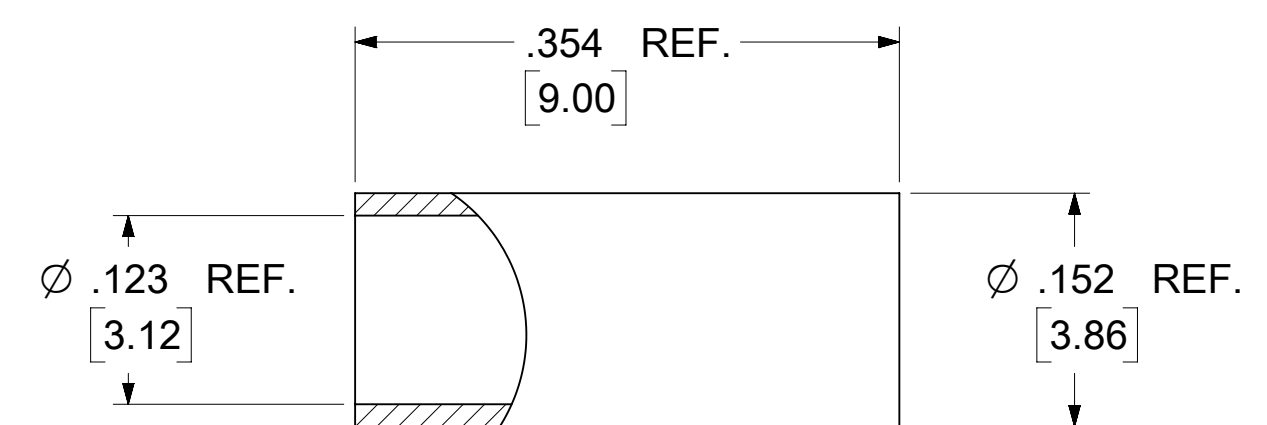
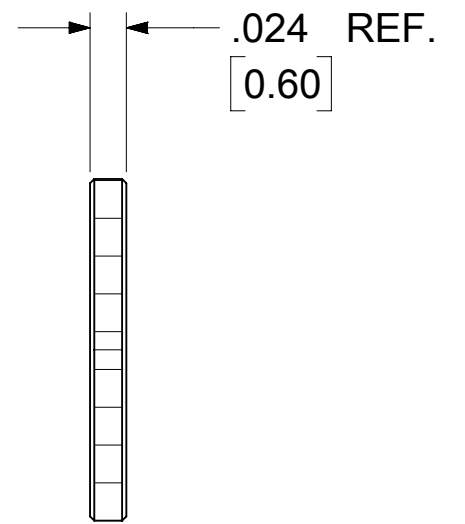
SMB PLUG
75 OHM
ACCEPTS PIN
Ø0.38 (.015) ± 0.025 (.001)



INSULATOR



CAP



FERRULE

73404-3000	1 PIECE 73100-0256 IN SINGLE BAG WITH LABEL
73100-0256	TRAY
PART NO.	PACKAGING

AS-73597-0047	ASSY. INSTRUCTION
PS-89675-3540	ELECTRO / MECH. PERFORM.
SPECIFICATION	DESCRIPTION

DOCUMENT STATUS	P1	RELEASE DATE	2020/12/02	02:24:24
-----------------	----	--------------	------------	----------

FUNCTIONAL SYMBOLS $\nabla_A = 0$ $\nabla_C = 0$ $\nabla_P = 0$ DIVISIONAL SYMBOLS 4 PLACES ± 3 PLACES ± 2 PLACES ± 1 PLACE ± 0 PLACES ±	THIS DRAWING CONTAINS INFORMATION THAT IS PROPRIETARY TO MOLEX ELECTRONIC TECHNOLOGIES, LLC AND SHOULD NOT BE USED WITHOUT WRITTEN PERMISSION		CURRENT REV DESC: ADDED AS ON THE DRAWING PER EWR # 14130-A		<p>SMB PLUG RA 75 OHM RG179 MATS TO .015 PIN SMB-PC/RA, EWR-4676</p> <p>PRODUCT CUSTOMER DRAWING</p> <p>DOCUMENT NUMBER: SD-73404-300</p> <p>DOC TYPE: PSD</p> <p>DOC PART: 001</p> <p>REVISION: A3</p> <p>SHEET NUMBER: 1 OF 1</p>
	DIMENSION UNITS: INCH/MM SCALE: NTS	GENERAL TOLERANCES (UNLESS SPECIFIED) ANGULAR TOL ± 2.0°		EC NO: 649818 DRWN: ELIN CHK'D: YCHENG APPR: YCHENG	
	DRAFT WHERE APPLICABLE MUST REMAIN WITHIN DIMENSIONS		INITIAL REVISION: DRWN: AROBERTSON APPR: JWIENER	2020/10/29 2020/12/02 2020/12/02 2011/03/31 2011/04/04	
	THIRD ANGLE PROJECTION	DRAWING: C-SIZE	SERIES: 73404	MATERIAL NUMBER: SEE TABLE CUSTOMER: GENERAL MARKET	