

SIGN	DATE	DESCRIPTION	APPROVER
△	04/06'12	Add is cULus	Chen Bo
△	04/06'12	The Dimension C & D & E are added	Chen Bo

THIS IS CAD DRAWING, DO NOT REVISE MANUALLY!!!

Material:

- Item a Terminal(housing): Thermoplastic (UL94V-0)
- Item b Terminal(cover): Thermoplastic (UL94V-0)
- Item c Male contact pin : Copper Tin plated

Electrical:

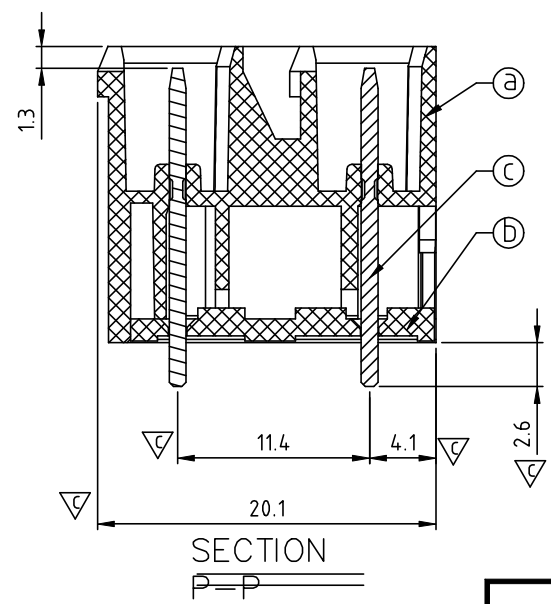
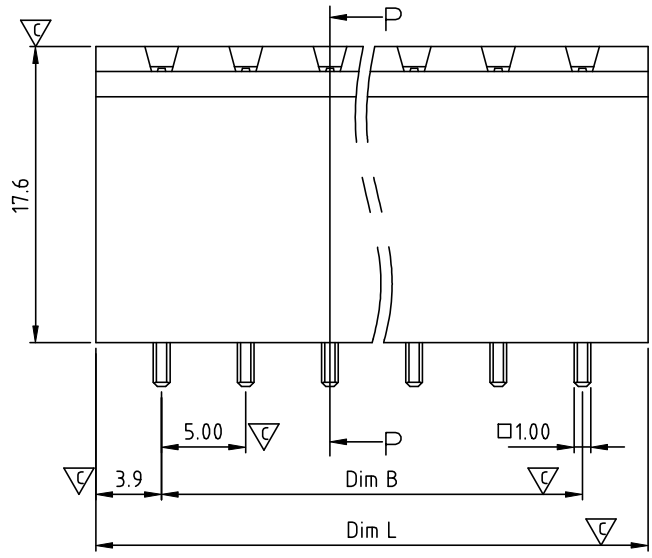
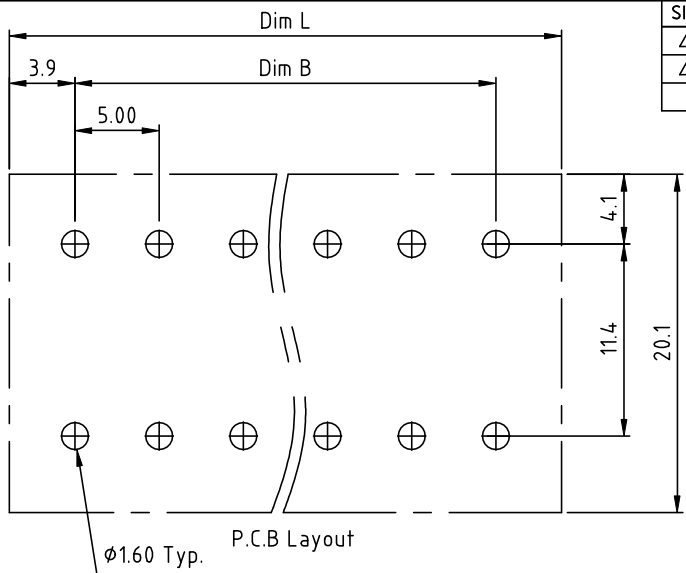
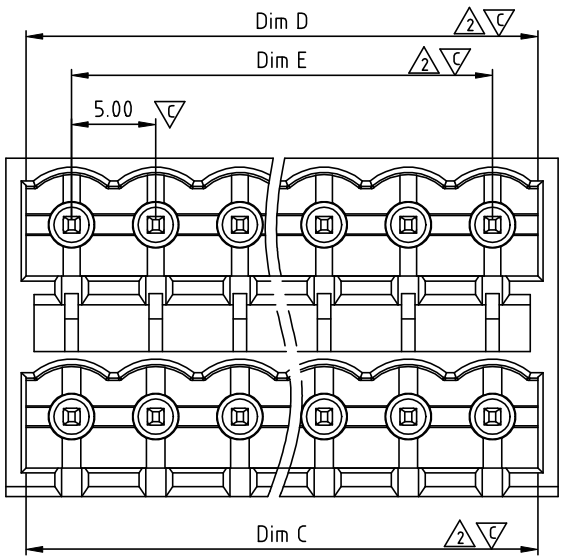
- Voltage rating: 300V
- Current rating: 12A
- Withstanding Voltage: 1.6KV
- Operating temperature: -40°C to +115°C
- Soldering temperature: 250°C±10°C/5 Sec
- Safety Approval: cULus
- Critical dimension: ∇

KE xx 7 1 x 2 xxxx G

- No. OF POLES
- 04: 2x2 POLES
 - 06: 2x3 POLES
 - ...
 - 48: 2x24 POLES

- COLOR
- 0 Black (RAL9005)
 - 2 Red (RAL3001/D)
 - 3 Orange(RAL2011/P)
 - 4 Yellow(RAL1018/A)
 - 5 Green(RAL6018/T)
 - 6 Blue (RAL5015/A)
 - 8 Grey(RAL7035/D)
 - 9 White(RAL1102)
 - C Green(RAL6018/U)

RoHS compliant (lead<4%)
In copper Alloy
0000: "@ Logo (Standard)
000A: "ANYTEK" Mark
Any special item by customer request, please contact sales department.



Poles	Dim L	Dim B	Dim C	Dim D	Dim E
2x2P-2x6P	±0.15	±0.15	+0.05 -0.05	+0.05 -0.05	±0.15
2x7P-2x12P	±0.25	±0.25	+0.10 -0.05	+0.10 -0.05	±0.25
2x13P-2x18P	±0.35	±0.35	+0.20 -0.05	+0.20 -0.05	±0.35
2x19P-2x24P	±0.40	±0.40	+0.25 -0.10	+0.25 -0.10	±0.40

N = Number of poles
 Dim L=N×5.0+2.8
 Dim B=(N-1)×5.0
 Dim C=(N-1)×5.0+5.4
 Dim D=(N-1)×5.0+5.4
 Dim E=(N-1)×5.0

ANYTEK		CUSTOMER COPY		ALL RIGHTS RESERVED. REPRODUCTION OR ISSUE TO THIRD PARTIES IN ANY FORM WHATSOEVER IS NOT PERMITTED WITHOUT WRITTEN AUTHORITY FROM THE PROPRIETOR. PROPERTY OF ANYTEK TECHNOLOGY CO., LTD			
				TITLE KE 5.0mm Close Series 2x2P-2x24P (Vertical) (DIP type)			
PART NO. KExx71x2xxxxG		DWG NO. 8KE0102		APPROVED		Tolerance	
CHECKED		DESIGNED		DRAWN		CUST NO.	
Chen Bo 04/06'12		Chen Bo 04/06'12				UNIT: mm SCALE: NONE REV.: C	
SHEET: 01/01		REV.: C		X. ±0.50		X.X ±0.30	
				X.XX ±0.10		X° ±1°	