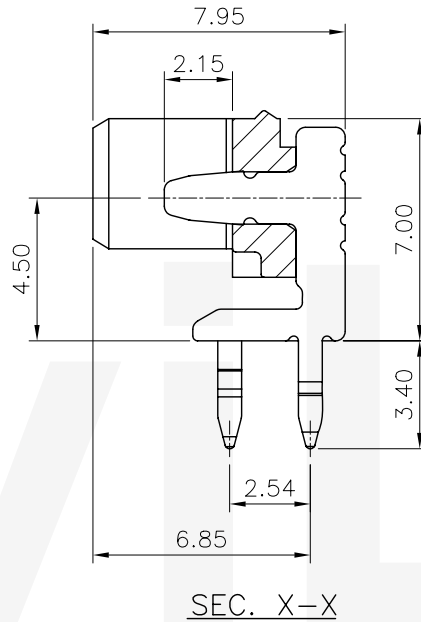


Material:

* Insulation:

Base: Nylon 6T +30% G.F UL 94V-0 (無鹵材質)

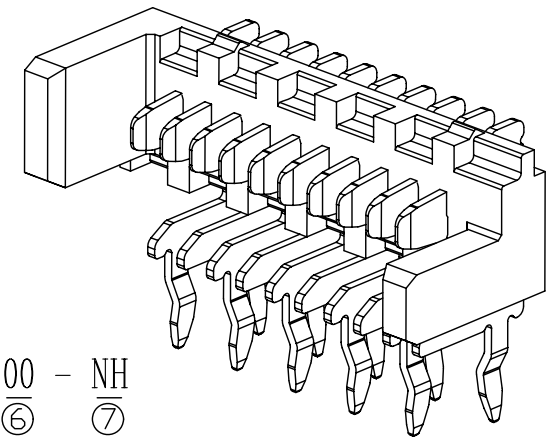
Contact: Brass



Ordering Code:

CA35 ** H 1 1 00 - NH
 ① ② ③ ④ ⑤ ⑥ ⑦

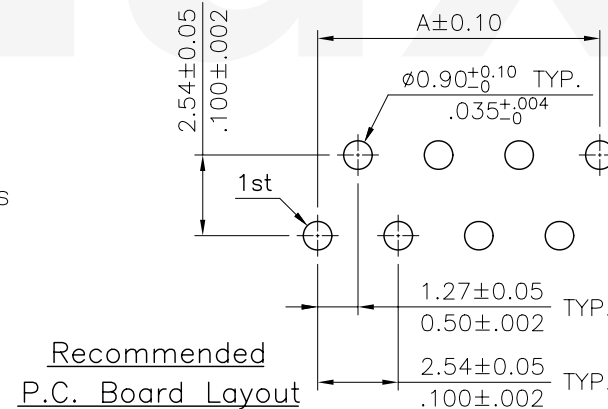
- ① Series No.:
- ② No. of Circuits: 04 to 26
- ③ Contacts Type: H= DIP Right Angle Type
- ④ Plating option:
1= Tin over Nickel plated
(Matte Tin plated)
- ⑤ Color: 1= Black
- ⑥ Option: 00= Standard
- ⑦ NH= For Lead Free IR Processes and Halogen-Free



DIM.A= 1.27 x No. of Spaces

DIM.B= DIM.A + 5.05

*Available in 4 ~ 26 Circuits




Recommended
P.C. Board Layout

Halogen-Free

Lead Free Process

RoHS Compliant

④					DATE	UNIT: mm / inch	TITLE: 1.27mm Pitch DIP R/A Type Connector	 瀚荃股份有限公司 CviLux Corporation	
③				DRAWN BY: Clark	1/15-10'	TOLERANCE UNLESS OTHERWISE SPECIFIED	MATERIAL:		
②				ENGINEER: Clark	1/18-10'	.X ± 0.30/012 X: ± 1'	FINISH:		
①				CHECKED BY: Eisley	1/22-10'	.XX ± 0.20/008 .X: ±			
SYM	NAME	DATE	REVISIONS	APPROVED BY: David	1/22-10'	.XXX ± 0.10/004 .XX: ±	DRAWING NO. CA3503SA	PART NO. CA35**H1100-NH	
								SCALE 4 / 1	SHEET 1 OF 1

CIVILUX CORP
 2010.02.09
 ISSUED