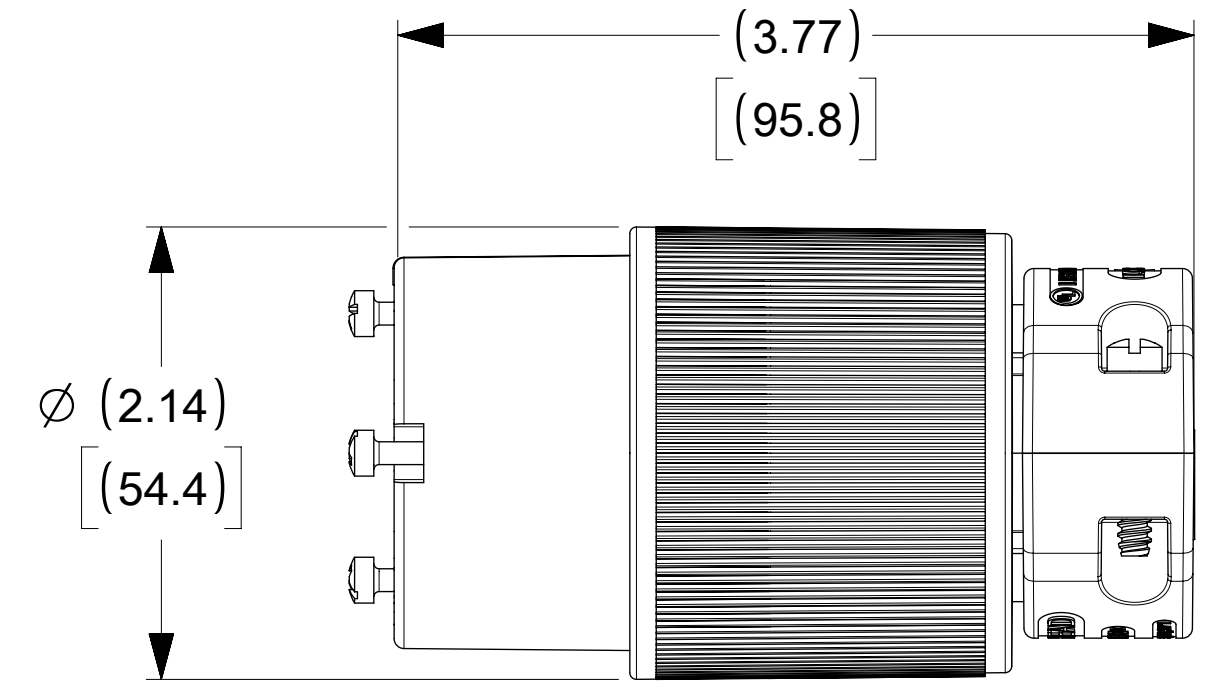
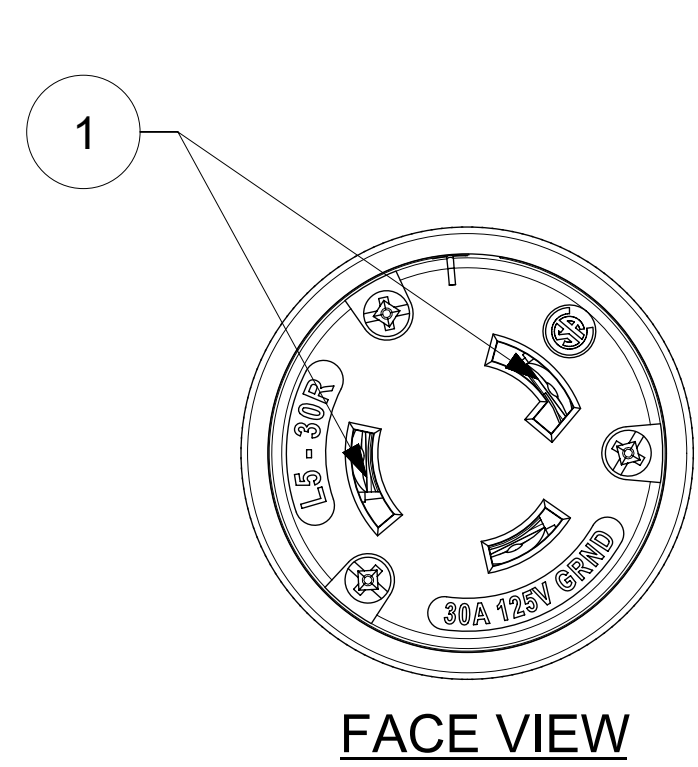
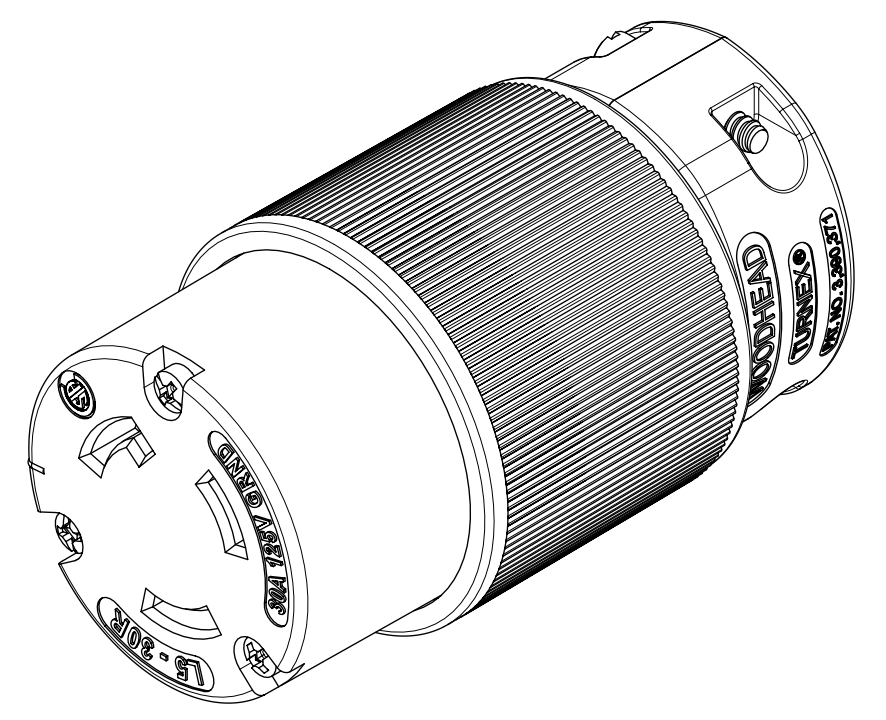
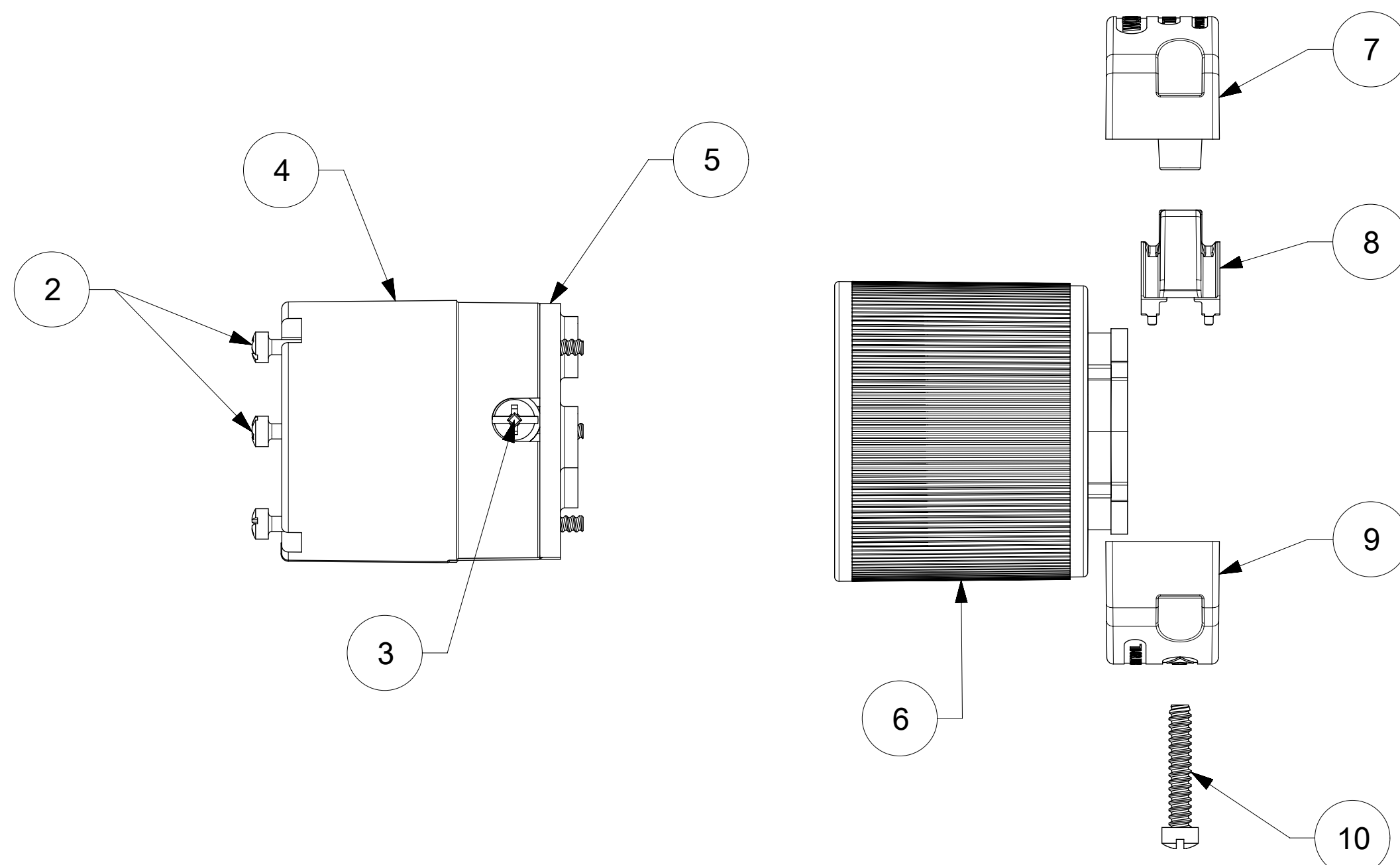
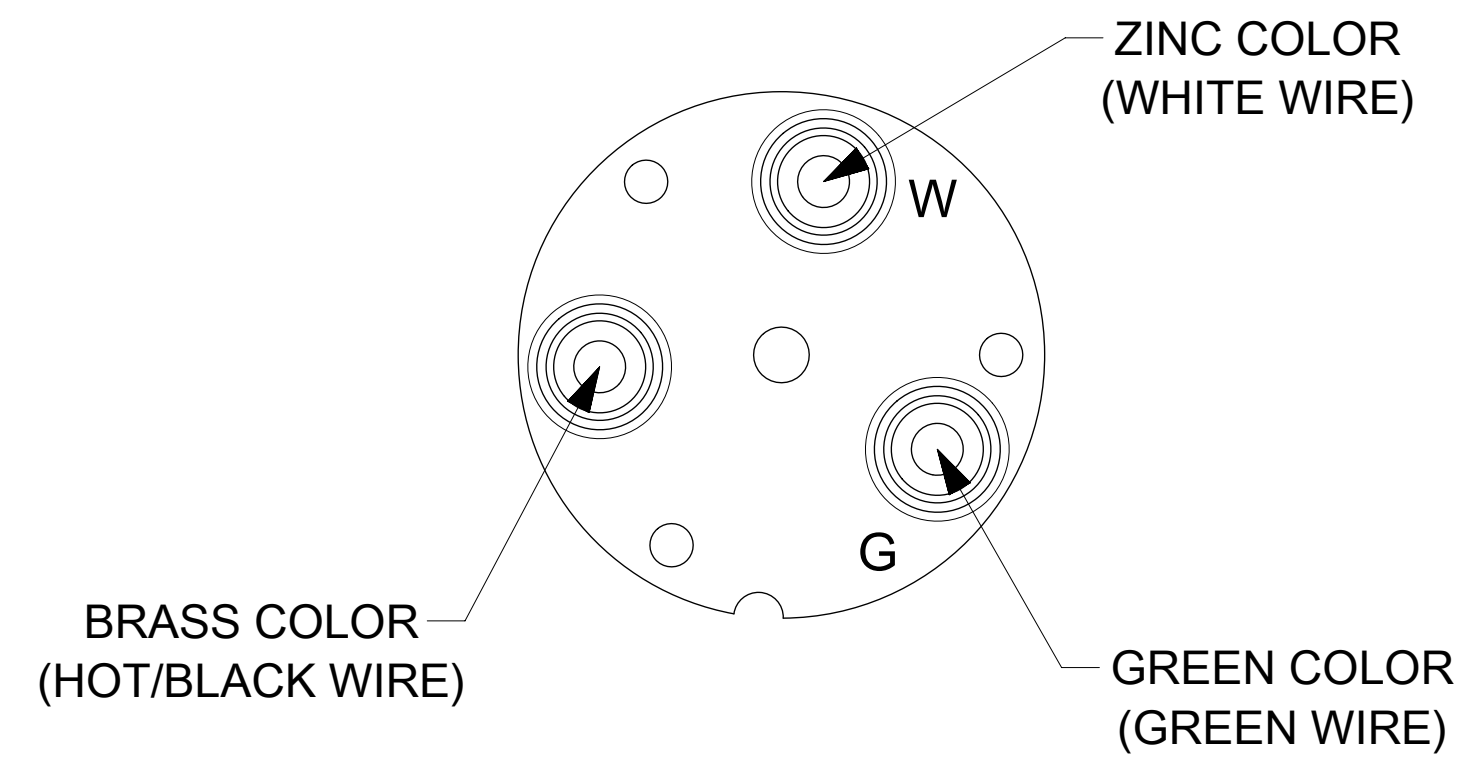


MATERIAL NO.	PART NO.	COLOR
130145-0071	29T47	BLACK



**WIRING TERMINATION**



ITEM NO.	DESCRIPTIONS	MATERIAL	QTY.
1	BLADES	BRASS, NICKEL PLATED	3
2	RETAINING SCREWS	STAINLESS STEEL	3
3	TERMINAL SCREWS/CLAMP ASSEMBLY	BRASS, ZINC PLATED	3
4	INSERT	NYLON	1
5	TERMINAL COVER	POLYCARBONATE	1
6	HOUSING	NYLON	1
7	CLAMP CORD MALE	NYLON	1
8	CLAMP CORD INSERT	NYLON	1
9	CLAMP CORD FEMALE	NYLON	1
10	RETAINING SCREWS	STAINLESS STEEL	2

<b>FUNCTIONAL SYMBOLS</b> $F_A = 0$ $F_C = 0$ $F_P = 0$ <b>DIVISIONAL SYMBOLS</b>	THIS DRAWING CONTAINS INFORMATION THAT IS PROPRIETARY TO MOLEX ELECTRONIC TECHNOLOGIES, LLC AND SHOULD NOT BE USED WITHOUT WRITTEN PERMISSION		CURRENT REV DESC: NEW RELEASE	
	DIMENSION UNITS	SCALE	EC NO: 628015	
	INCH	NTS	DRWN: VBASUTHKARP	2019/05/24
	GENERAL TOLERANCES (UNLESS SPECIFIED)		CHK'D: DNGUYEN62	2021/09/20
	MM	INCH	APPR: HKNEELAND	2021/10/29
4 PLACES	±	±	INITIAL REVISION:	
3 PLACES	±	±	DRWN: VBASUTHKARP	2019/05/24
2 PLACES	±	±	APPR: HKNEELAND	2021/10/29
1 PLACE	±	±	DOCUMENT NUMBER	
0 PLACES	±	±	1301450071	
ANGULAR TOL	±	°	DOC TYPE	DOC PART
DRAFT WHERE APPLICABLE MUST REMAIN WITHIN DIMENSIONS		THIRD ANGLE PROJECTION	DRAWING	SERIES
			C-SIZE	130145
			MATERIAL NUMBER	CUSTOMER
			SEE TABLE	GENERAL MARKET
			SHEET NUMBER	
			1 OF 1	