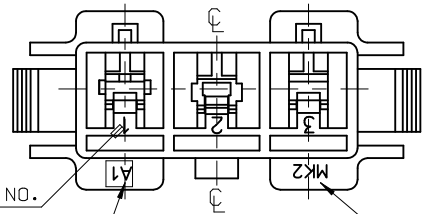


10 9 8 7 6 5 4 3 2 1

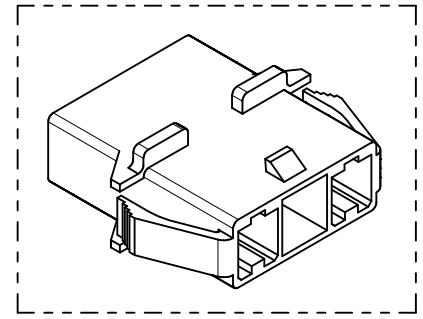
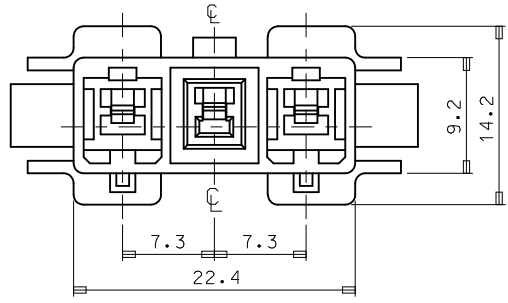


CIRCUIT NO.

© TOOL NO & CAVITY NO
(TOOL:A.B. CAV:1.2..)

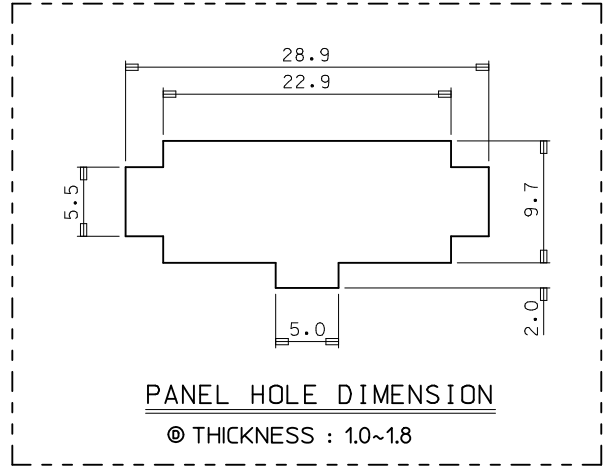
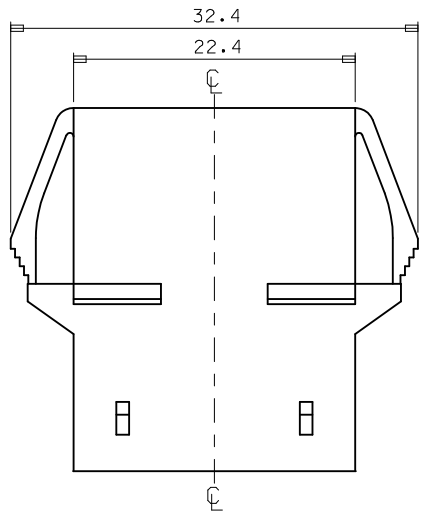
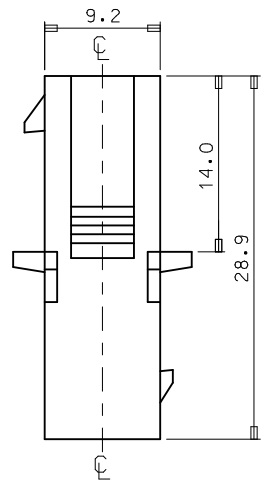
VIEW "A"

TRADE MARK
(MK2)



NOTES.

1. MATERIAL & COLOR : SEE TABLE
2. MATED HOUSING : 35151-031*
3. APPLICABLE TERMINAL : 35745-0*10 (1 CIRCUIT)
35746-0*10 (2 CIRCUIT)
35747-0*10 (3 CIRCUIT)
4. APPLICABLE T.P.A : 35150-039*
5. PRODUCT SPECIFICATION : PS-35150-003



PANEL HOLE DIMENSION

© THICKNESS : 1.0~1.8

NO	PRODUCT		MATERIAL
	PART NO	COLOR	DESCRIPTION
1	35150-0310	NATURAL	POLYESTER (PBT) (UL94V-0)
2	35150-0314	BLUE	
3	35150-0319	NATURAL	
4	35150-2319	RED	PC/PET (UL94V-0)
5	35150-3319	YELLOW	
6	35150-4319	BLUE	

REVISED
EC NO: KOR2010-0092
DRWN: JHPARK01 2010/01/14
CHKD: WY. YANG 2010/01/14
APPR: YUNSIKKIM 2010/01/14

QUALITY SYMBOLS
▽=0
∇=0

GENERAL TOLERANCES (UNLESS SPECIFIED)

	mm	INCH
4 PLACES	± ---	± ---
3 PLACES	± ---	± ---
2 PLACES	± ---	± ---
1 PLACE	± 0.3	± ---
ANGULAR ± 1 °		

DRAFT WHERE APPLICABLE
MUST REMAIN
WITHIN DIMENSIONS

DIMENSION STYLE
MM ONLY

DRAWN BY
JS.KANG

CHECKED BY

APPROVED BY

MATERIAL NO.
SEE TABLE

SIZE
A3

SCALE
1:1

DESIGN UNITS
METRIC

THIRD ANGLE PROJECTION

TITLE
7.3 PITCH W/W CONN
MALE HSG-3P(W/EAR)

MOLEX INCORPORATED

DOCUMENT NO.
SD-35150-031*

SHEET NO.
1 OF 01

9 8 7 6 5 4 3 2 1