

90° Mounting Bracket

for Terabee IND-TOF-1 distance sensor

Key features

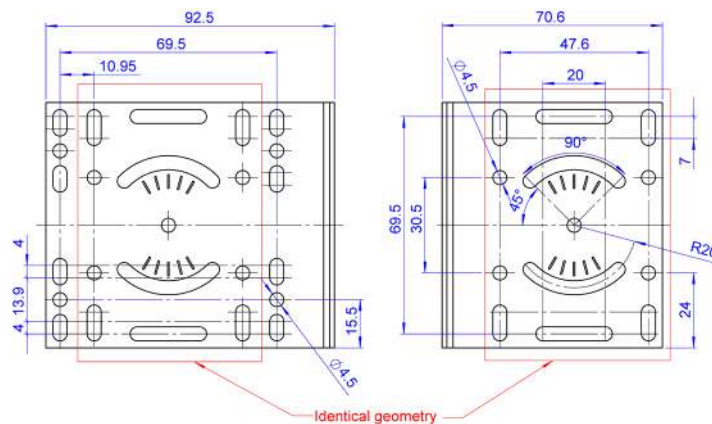
- Quick and easy installation
- Robust steel design for industrial environments
- M4 screw kit included in the package
- Adapts to your needs with 15° increments to tilt the sensor up or down



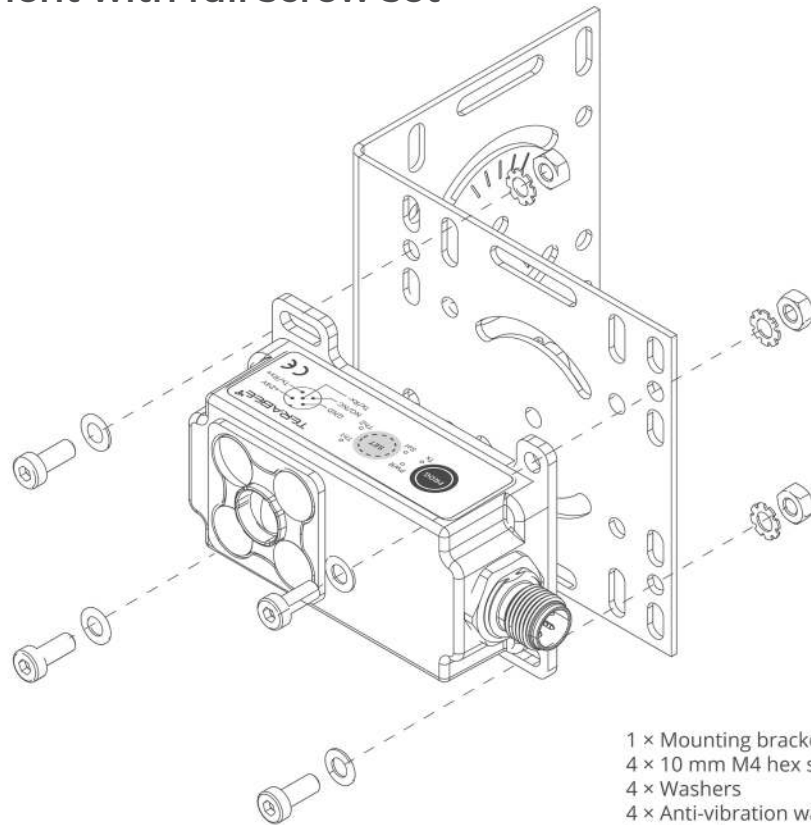
Technical specifications

Product Code	TB-90MB-IND-TOF-1
Material	Steel
Compatible With	Terabee IND-TOF-1
Mounting Possibilities	Vertical, Horizontal, Angular (15° intervals)
Dimensions (external)	92 × 78 × 71 mm
Weight	128 g (mounting bracket) 139 g (including screw set)
Additional Components Included	4 × M4 hex screws (10mm) 4 × Washers 4 × Anti-vibration washers 4 × M4 nuts

Dimensions and hole positions



Sensor attachment with full screw set



- 1 × Mounting bracket
- 4 × 10 mm M4 hex screws
- 4 × Washers
- 4 × Anti-vibration washers
- 4 × M4 nuts

Attachment examples

Vertical

Horizontal

Angular

