



Main

Range of Product	Telemecanique Photoelectric sensors XU
Series name	Application packaging
Electronic sensor type	Photo-electric sensor
Product Specific Application	Colour
Sensor name	XUK
Sensor design	Compact 50 x 50
Detection system	Diffuse
Emission	White LED
[Sn] nominal sensing distance	0.79 in (20 mm) Ø 4 mm
Material	Plastic
Supply circuit type	DC
Type of output signal	Discrete
Wiring Technique	3-wire
Discrete output type	PNP
Discrete output function	1 NO
Electrical connection	1 male connector M12 adjustable through 90°, 8 pins

Complementary

Enclosure Material	ABS
Lens material	Glass
Type of colour processing	RGB
Output Type	Solid state
Output function governance	Light on
Add on input	Synchro + locking
Signalling function	4-digit display
Status LED	Output state OUT 1 LED yellow) Output active 3 LEDs green)
[Us] rated supply voltage	12...24 V DC
Supply voltage limits	10...30 V DC
Switching capacity in mA	<= 100 mA reverse polarity, overload and short-circuit protection)
Switching frequency	<= 1500 Hz
Maximum voltage drop	<2 V closed state)
Current consumption	<= 60 mA no-load
Time delay range	10 ms 20 ms 30 ms 40 ms 5 ms
Maximum delay response	0.335 ms
Maximum delay recovery	0.335 ms
Setting-up	Tolerance level Operating mode Sensitivity adjustment with teach mode
Depth	1.97 in (50 mm)
Height	1.97 in (50 mm)
Width	0.98 in (25 mm)
Net Weight	0.19 lb(US) (0.085 kg)

The information provided in this documentation contains general descriptions and/or technical characteristics of the performance of the products contained herein. This information is not intended as a substitute for and is not to be used for determining suitability or reliability of these products for specific user applications. It is the duty of any such user or integrator to perform the appropriate and complete risk analysis, evaluation and testing of the products with respect to the relevant specific application or use thereof. Neither Schneider Electric Industries SAS nor any of its affiliates or subsidiaries shall be responsible or liable for misuse of the information contained herein.

Environment

Product Certifications	CE cULus
Ambient Air Temperature for Operation	14...131 °F (-10...55 °C)
Ambient Air Temperature for Storage	-4...158 °F (-20...70 °C)
Vibration resistance	7 gn +/- 0.5 mm 10...55 Hz)on the 3 axes IEC 60068-2-6
Shock resistance	30 gn 11 ms) 6 shocks on each axis IEC 60068-2-27
IP degree of protection	IP65 IEC 60529

Ordering and shipping details

Category	22481-SENSORS, PHOTOELECTRIC
Discount Schedule	DS2
GTIN	3389110702125
Nbr. of units in pkg.	1
Package weight(Lbs)	3.25 oz (92.0 g)
Returnability	No
Country of origin	IT

Packing Units

Unit Type of Package 1	PCE
Package 1 Height	1.77 in (4.5 cm)
Package 1 width	3.15 in (8 cm)
Package 1 Length	4.80 in (12.2 cm)
Unit Type of Package 2	S02
Number of Units in Package 2	21
Package 2 Weight	5.21 lb(US) (2.361 kg)
Package 2 Height	5.91 in (15 cm)
Package 2 width	11.81 in (30 cm)
Package 2 Length	15.75 in (40 cm)

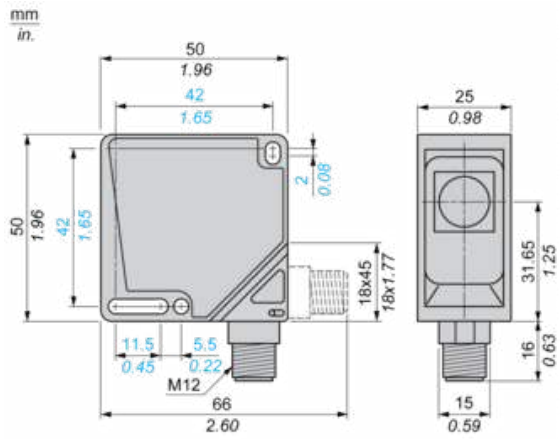
Offer Sustainability

Sustainable offer status	Green Premium product
California proposition 65	WARNING: This product can expose you to chemicals including: Diisononyl phthalate (DINP), which is known to the State of California to cause cancer, and Di-isodecyl phthalate (DIDP), which is known to the State of California to cause birth defects or other reproductive harm. For more information go to www.P65Warnings.ca.gov
REACH Regulation	REACH Declaration
REACH free of SVHC	Yes
EU RoHS Directive	Pro-active compliance (Product out of EU RoHS legal scope) EU RoHS Declaration
Toxic heavy metal free	Yes
Mercury free	Yes
RoHS exemption information	Yes
Environmental Disclosure	Product Environmental Profile
Circularity Profile	End Of Life Information

Contractual warranty

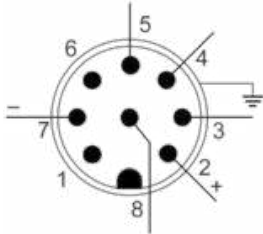
Warranty	18 months
----------	-----------

Dimensions



Wiring Schemes

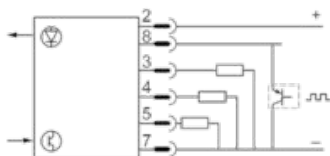
Sensor Connector Pin View



Pin N°	Type	Colour (2)
1	-	WH (white)
2	10...30 VDC	BN (brown)
3	Output 1	TAN (tan)
4	Output 2	YE (yellow)
5	Output 3	GY (grey)
6	-	PK (pink)
7	0 V	VT (violet)
8	Synchro	RD (red)
-	Screening	TR (transparent)

With pre-wired connector XSZMCR●●

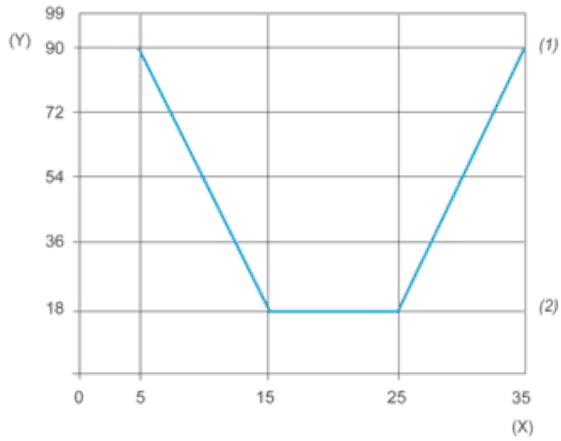
PNP Output + Synchro Input



Curves

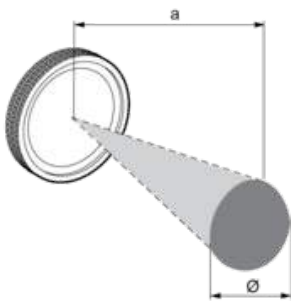
Detection Curve

Detection distance related to object's degree of reflection



- (y) Object reflection
- (x) Detection distance (mm)
- (1) White Yellow light
- (2) Dark blue Black

Detection Zone and Spot Size



a (mm)	Ø (mm)
20	4