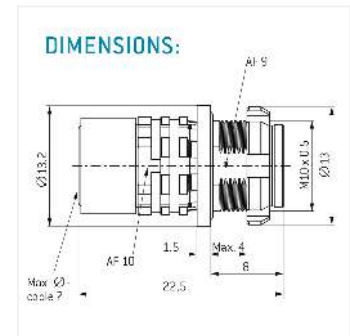
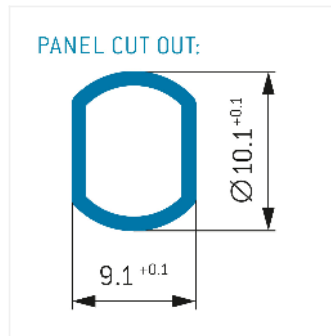
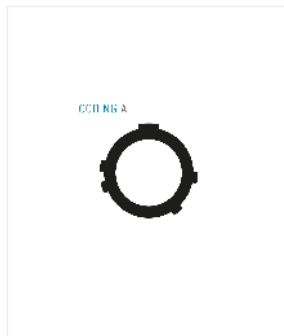


General information

Part number	G60WAM-P09WMM0-0000
Termination	solder
Size	0
Locking principle	break
Coding	a_key_amc
Cable Diameter	cable_amchd_0



Contact insert description

Number of contacts	9
Contact type	sockets
Contact diameter	3.03 6 07mm
Insulator material	peek
Wire cross section	22_awg 28_awg
Termination	solder
Data transmission	usb_2_power

reverse_gender_on_request

Connection diagram

con_usb_2_power

Technical information

Nominal current single contact	1.5 a	iec_60512_52
Test voltage	075_kv_dc	eia_364_20f

safety_text

Mechanical and environmental data

Degree of protection*	ipsk8_ip6k9k
Operating temperature	51_125_c
Mating cycles	5000

mated

Material and surface treatments

Housing	ruthenium
Contact	cu_alloy_gold

data_text

safety_text 2
data_text
ul_text
illustrative_text