



LAYOUT SHOWN AS EXAMPLE

Keying Shown as example

**CHARACTERISTICS**

- Standard : Based on MIL-DTL-38999 Series III
- Shell Material : Composite
- Shell Plating : Nickel
- Insulator : Thermoplastic
- Contacts : Copper Alloy
- Seals & Grommet : Silicon Elastomer
- Contact Plating : Gold over copper Alloy 0.8µm minimum
- Durability : 500 Mating cycles
- Delivered without Souriau contacts
- Temperature Range : -65°C to +200°C
- Salt Spray : 2000 hours
- Mass : 9.5 g ± 10%

Connector dimension	
Dim	Nominal
P	3.25±0.2
PP	4.93±0.2
R1	20.62
R2	18.26
S	26.2±0.3
V'	19.5+1.4/-0
W'	2.1/3.65
Z'	32 Max
VV THREAD	M15x1-6g

SOURIAU shall not be liable for any non-conformity or damage due to a use of the Products which does not comply with the Specifications issued by either of the Parties or by a third party (professional recommendation, technical notice.)

Country	Jurisdiction & Control List
FR	Not Listed

**PN: 8D011M05PCL**

A	07-10-2016	First Release	
ISS	DATE	Latest modification - by	MOD N°
Designed By:		Date:	<b>CUSTOMER DRAWING</b>

**TITLE** Composite Receptacle 8D series

SCALE		General linear Tolerances: ±--	NPRDS / PROJECT
NA			<b>859</b>

**SOURIAU** WWW.SOURIAU.COM

This document is the property of SOURIAU it must not be reproduced or communicated without permission

FORMAT	<b>SOURIAU DRG N° 8D011M05PCL-C</b>		SHEET
<b>A3</b>			<b>1/2</b>

BASIC SERIES: 8D 0 - 11 M 05 P C L

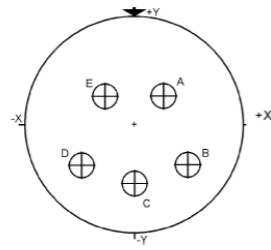
SHELL TYPE : Square Flange Receptacle Delivered W/O Contacts

CONTACT TYPE : Standard Crimp Contact ORIENTATION : C

SHELL SIZE : 11 CONTACT TYPE : PIN(500 Matings)

PLATING : M = Nickel CONTACT LAYOUT : 11-05

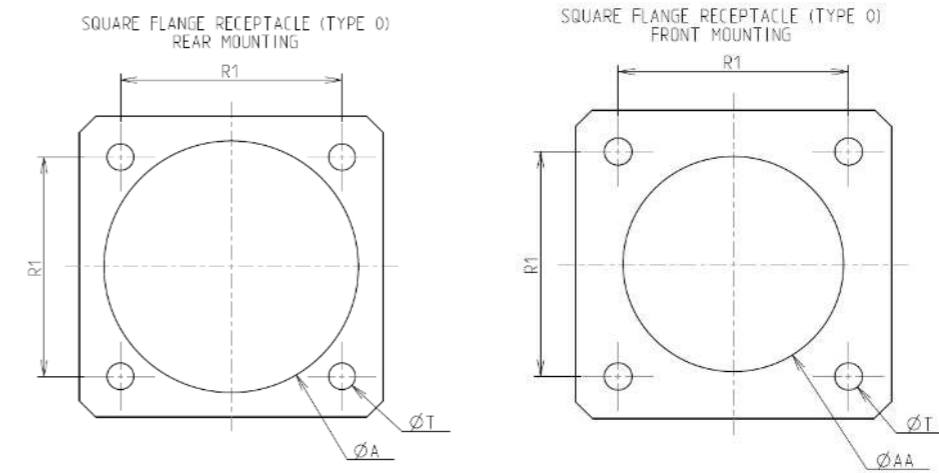
Contact Layout



Contacts (Insert arrangement 11-5)		
Contact position ID	Contact location	
	X-axis (mm)	Y-axis (mm)
A	+065 (1.65)	+056 (1.42)
B	+113 (2.87)	-065 (1.65)
C	+000 (0.00)	-130 (3.30)
D	-113 (2.87)	-065 (1.65)
E	-065 (1.65)	+056 (1.42)

Shell size	Arrangement no.	Number of contacts	Size contacts	Service rating	Contact location	Supersedes
11	-5	5	20	I	All	MS20050-5

Panel Cutout



Dim	Nominal
ØA	20.22 min
ØAA	15.88 min
R1	20.62
ØT	3.25 ±0.13

SOURIAU shall not be liable for any non-conformity or damage due to a use of the Products which does not comply with the Specifications issued by either of the Parties or by a third party (professional recommendation, technical notice.)

Country	Jurisdiction & Control List
FR	Not Listed

PN: 8D011M05PCL

A	07-10-2016	First Release	
ISS	DATE	Latest modification - by	MOD N°
Designed By:		Date:	<b>CUSTOMER DRAWING</b>
<b>TITLE</b>	<b>Composite Receptacle 8D series</b>		
SCALE		General linear Tolerances: ±--	NPRDS / PROJECT <b>859</b>
NA			
<b>SOURIAU</b>	<b>WWW.SOURIAU.COM</b>		This document is the property of SOURIAU it must not be reproduced or communicated without permission
FORMAT	<b>SOURIAU DRG N° 8D011M05PCL-C</b>		SHEET 2/2