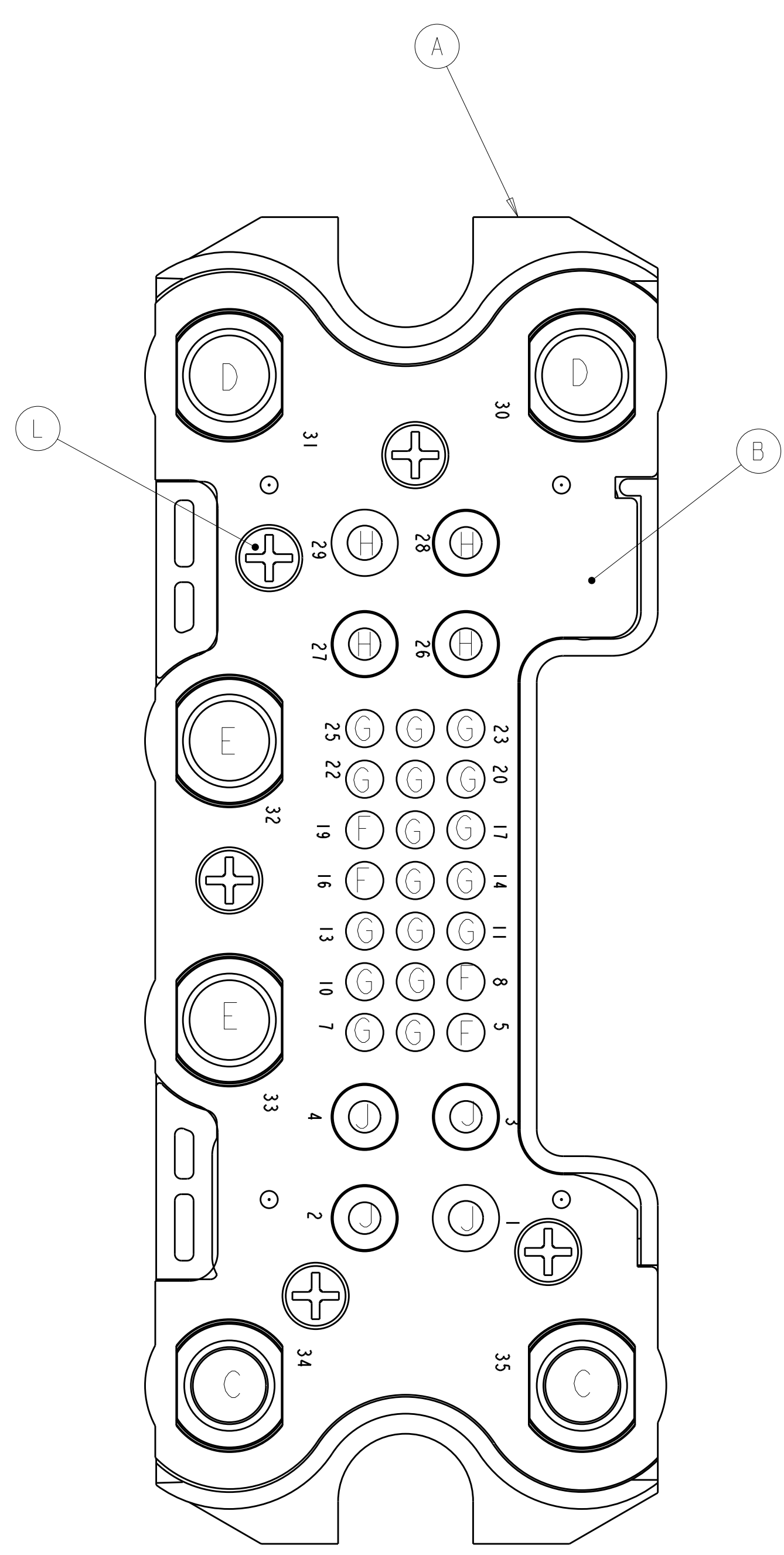
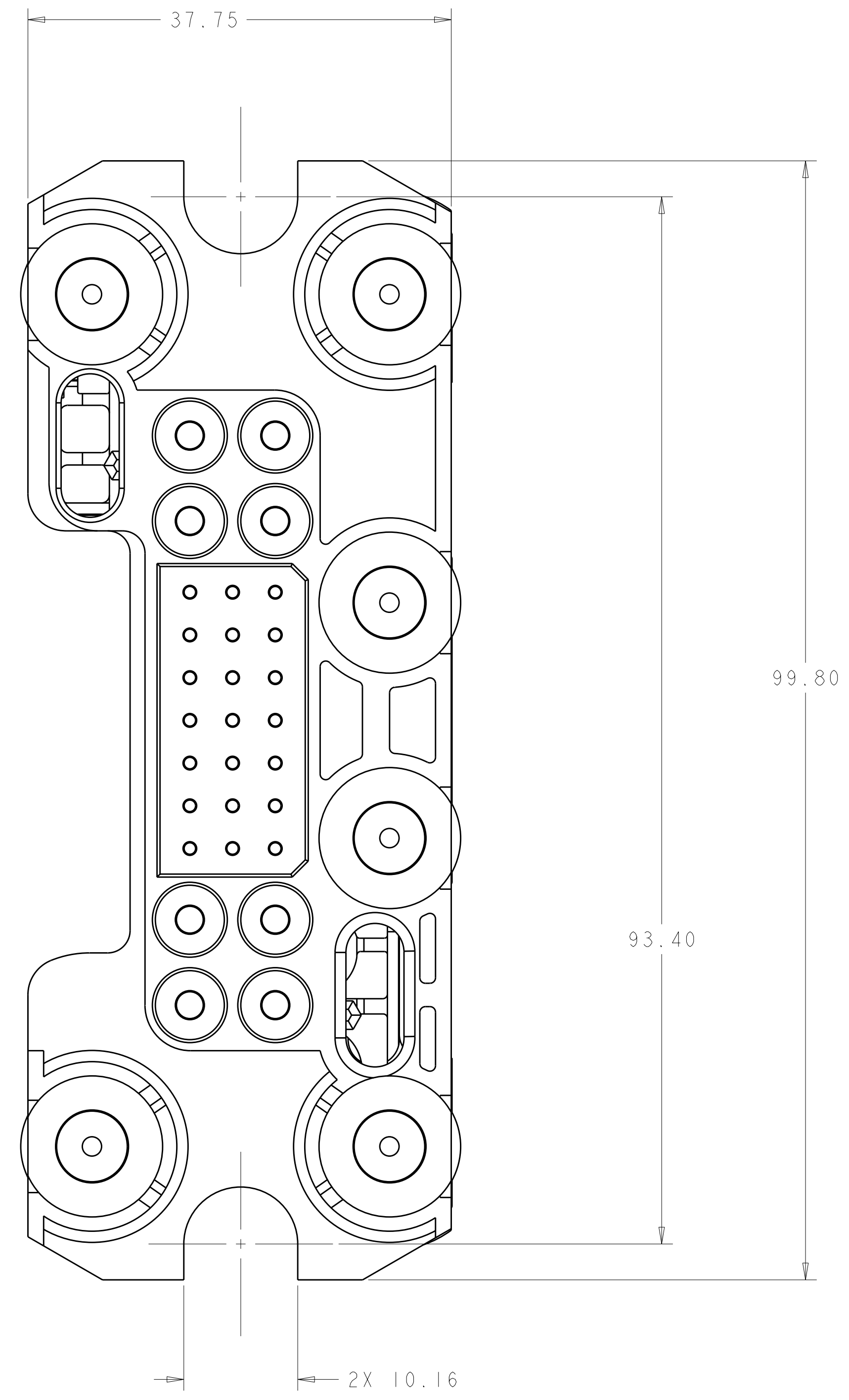
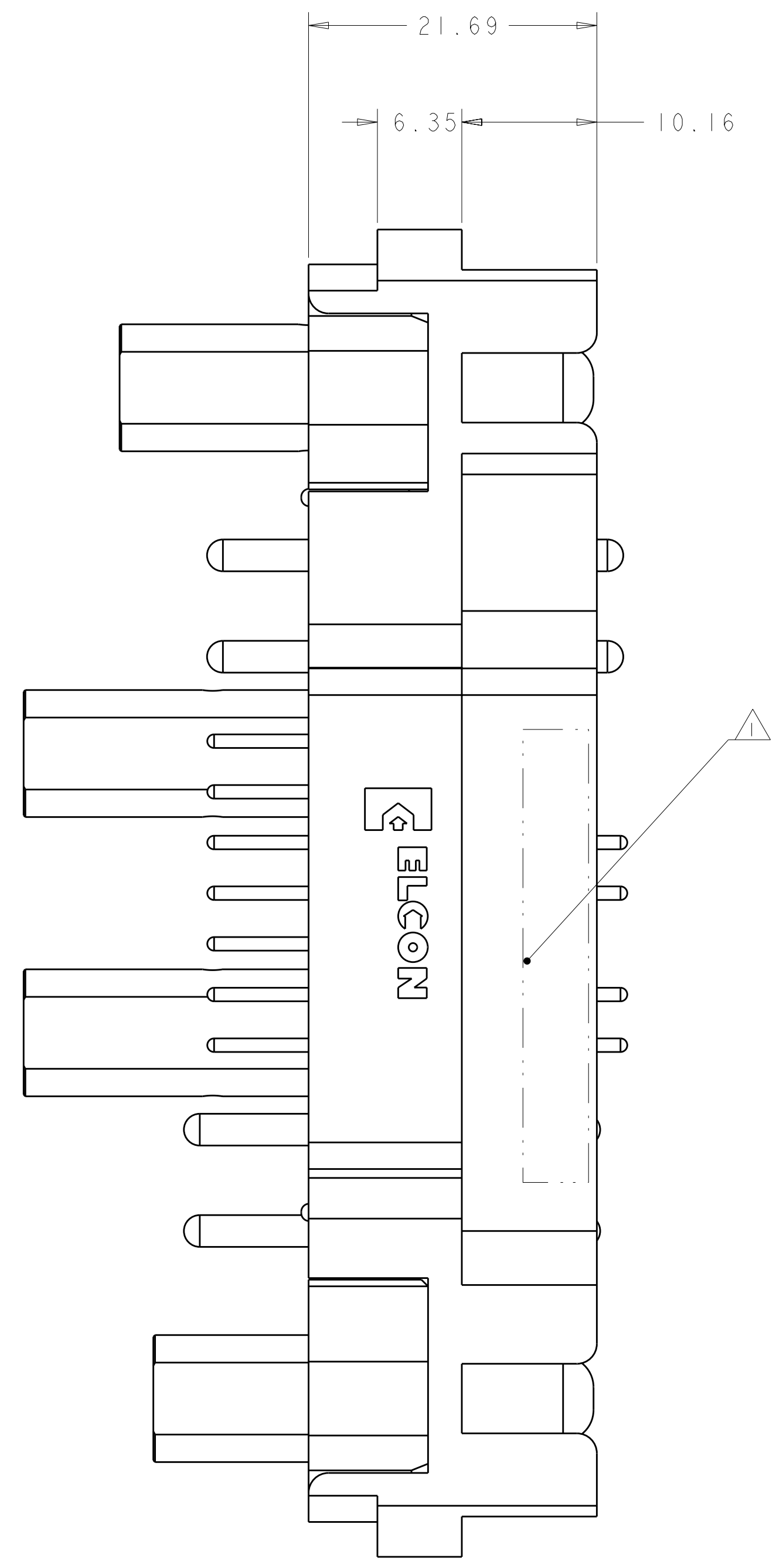


LOC	DIST	REVISIONS				
GP	00	REV	DESCRIPTION	DATE	DWN	APVD
		B	REV PER ECO-09-014578	25JUN2009	RG	DO
		C	REV PER ECO-11-000358	14JAN2011	RG	DO

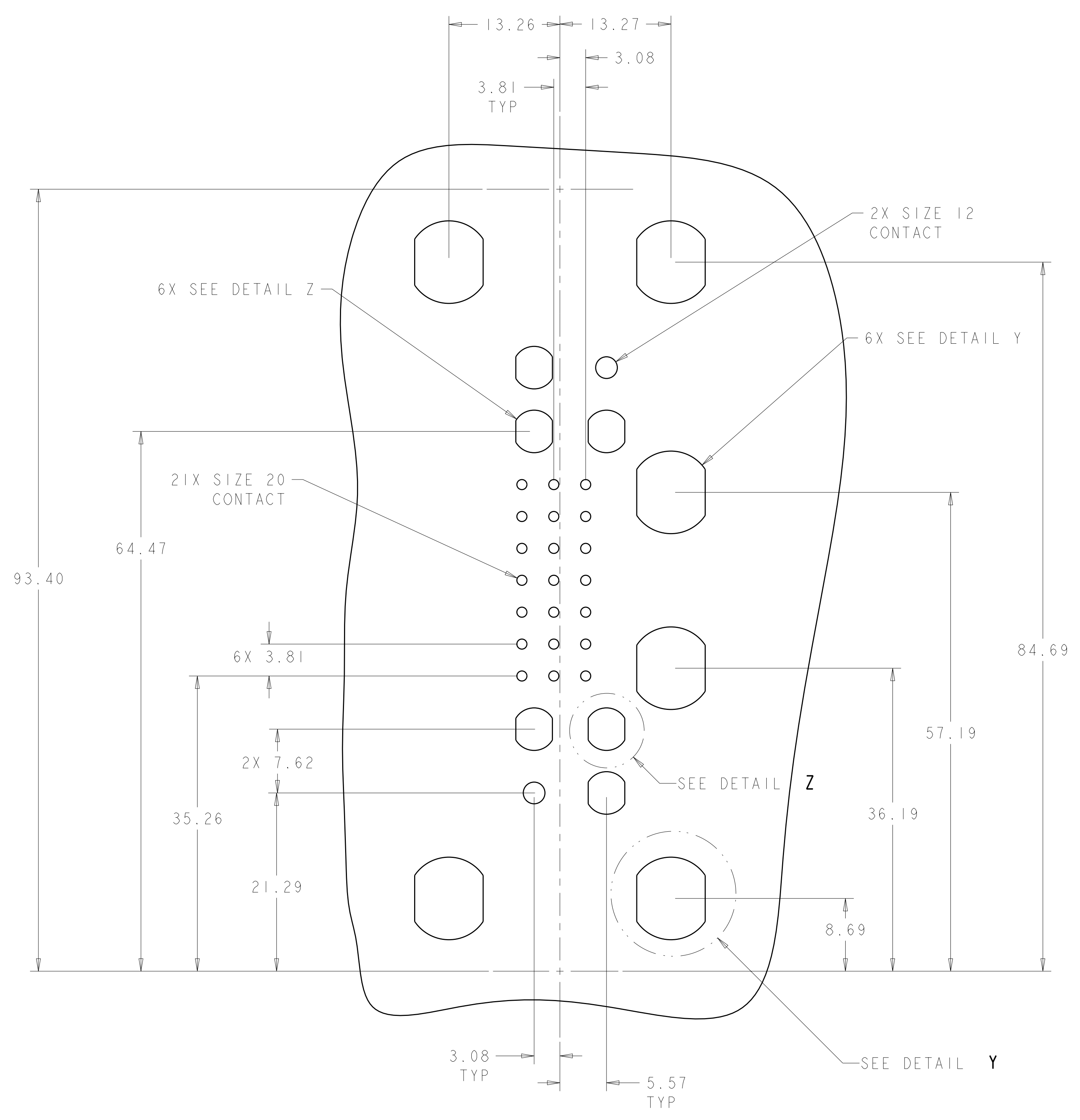


REAR VIEW
 CONTACTS REMOVED
 FOR CLARITY



<small>THIS DRAWING IS UNPUBLISHED. RELEASED FOR PUBLICATION BY TYCO ELECTRONICS CORPORATION. ALL RIGHTS RESERVED.</small>		DWN: ALIM/GRZYBOSKI 25 JUNE 09 CHK: D. ORRIS 25 JUNE 09 APVD: CHAU/PERCHERRE 25 JUNE 09	Tyco Electronics Harrisburg, PA 17105-3608
DIMENSIONS: mm 	TOLERANCES UNLESS OTHERWISE SPECIFIED: 9 PLC ±.5 7 PLC ±.5 5 PLC ±.25 4 PLC ±.5 ANGLES ±.5	NAME: PIN CONNECTOR ASSEMBLY PRODUCT SPEC: 108-2285 APPLICATION SPEC: 114-13206 WEIGHT: - CUSTOMER DRAWING	SIZE: A CAGE CODE: 00779 DRAWING NO: C-6651816 RESTRICTED TO: - SCALE: 3:1 SHEET 1 OF 2 REV C

LOC	DIST	REV	DATE	BY	APPD
GP	00				



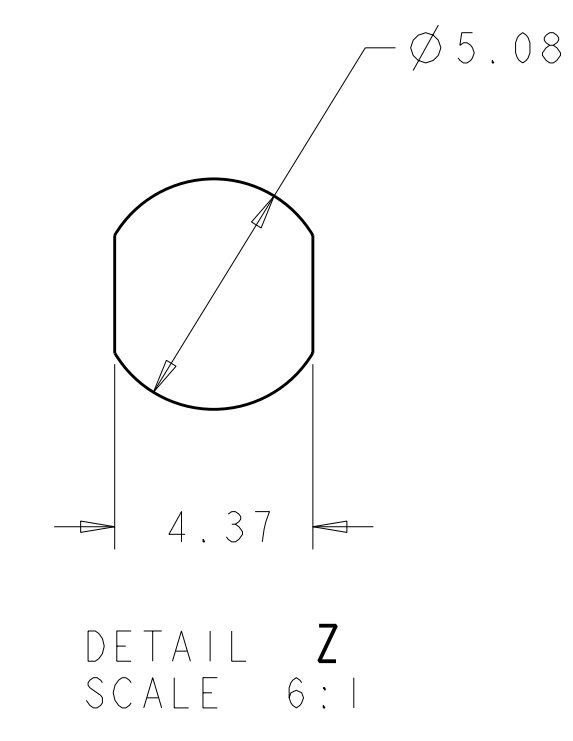
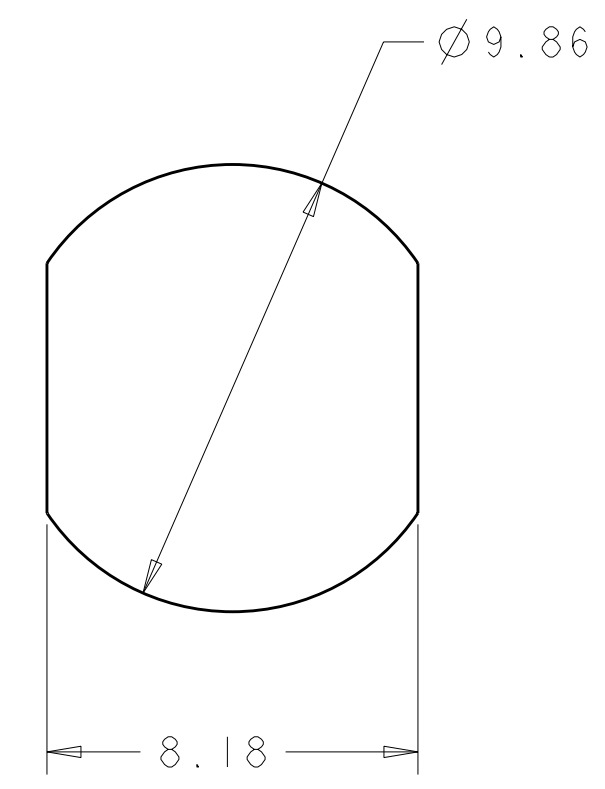
SUGGESTED PCB LAYOUT
 VIEWED FROM CONNECTOR MOUNTING SIDE

HOLE SIZE No. 20
 FINISHED HOLE: $\varnothing 1.19 \pm 0.08$
 DRILLED HOLE: $\varnothing 1.151 \pm 0.013$
 COPPER PLATE: 0.025 MIN (PER SURFACE)
 TIN PLATE: 0.076 MIN (PER SURFACE)

HOLE SIZE No. 12
 FINISHED HOLE: $\varnothing 2.59 \pm 0.08$
 DRILLED HOLE: $\varnothing 2.705 \pm 0.013$
 COPPER PLATE: 0.025 MIN (PER SURFACE)
 TIN PLATE: 0.076 MIN (PER SURFACE)

HOLE SIZE No. 12 THREADED POST
 CLEARANCE HOLE: SEE DETAIL Z

HOLE SIZE No. 4
 CLEARANCE HOLE: SEE DETAIL Y



- △ ITEMS PROVIDED TO THIS SPECIFICATION SHALL BE PERMANENTLY IDENTIFIED PER THE FOLLOWING IDENTIFIER:
- YEAR WEEK
- TYCO ELECTRONICS P/N DATE CODE (e.g. 0225)
- XXXXXXX-X XXXX
2. PART NUMBER CHANGES AND OR DESIGN CHANGES AFFECTING ITEM INTERCHANGEABILITY REQUIRE PRIOR TYCO ELECTRONICS APPROVAL AND AUTHORIZATION BY REVISION TO THIS DRAWING.
- △ 3 MATERIAL:
 INSULATOR: THERMOPLASTIC, GLASS REINFORCED, UL RATED 94V-0, COLOR: BLACK
 PIN CONTACTS: COPPER ALLOY
 RETENTION CLIPS: BERYLLIUM COPPER OR STAINLESS STEEL
- △ 4 FINISH:
 SIZE No. 20 CONTACTS: GOLD PLATE 0.76 μ m MIN THK OVER NICKEL 1.02 μ m MIN THK
 SIZE No. 12 AND 4 CONTACTS: SILVER PLATE 5.08 μ m MIN THK OVER NICKEL 1.02 μ m MIN THK
- △ 5 PCB TAILS CONTACTS ARE INSERTABLE/NONREMOVABLE:
- SIZE No. 20 (ITEM F) LOADED IN POSN. 5, 8, 16 & 19
 SIZE No. 20 (ITEM G) LOADED IN POSN 6, 7, 9 THRU 15, 17, 18, 20 THRU 25
 SIZE No. 12 (ITEM J) LOADED IN POSN 1 THRU 4
 SIZE No. 12 (ITEM H) LOADED IN POSN 26 THRU 29
 SIZE No. 4 (ITEM E) LOADED IN POSN 32 AND 33
 SIZE No. 4 (ITEM D) LOADED IN POSN 30 AND 31
 SIZE No. 4 (ITEM C) LOADED IN POSN 34 AND 35
6. 15 in lbs MAX. TORQUE APPLIED ON SIZE 1/4 PIN CONTACT.

5	1766849-1	SCREW, SELF TAPPING	M	
8	1650489-1	CLIP, RETENTION, No. 12	L	
21	1650484-1	CLIP, RETENTION, No. 20	K	
△ 5	4	1766217-2	CONTACT, No. 12, PCB TAIL	J
△ 5	4	1766217-1	CONTACT, No. 12, PCB TAIL, PREMATE	H
△ 5	17	1650195-4	CONTACT, No. 20, PCB TAIL	G
△ 5	4	1650195-2	CONTACT, No. 20, PCB TAIL, PREMATE	F
△ 5	2	1766229-1	CONTACT, 1/4" TAPPED M5, 42.88mm LG	E
△ 5	2	1766228-1	CONTACT, 1/4" TAPPED M5, 35.66mm LG	D
△ 5	2	1766227-1	CONTACT, 1/4" TAPPED M5, 33.12mm LG	C
	1	1651798-1	HOUSING, PIN, REAR INSERT	B
	1	1651797-1	HOUSING, PIN, FRONT	A
-1	PART NO.	DESCRIPTION	ITEM	

DIMENSIONS: mm TOLERANCES UNLESS OTHERWISE SPECIFIED: 9 PLC ±.5 1 PLC ±.5 5 PLC ±.25 4 PLC ±. ANGLES ±. FINISH:		DWN: ALIM/GRZYBOSKI 25 JUNE 09 CHK: D. ORRIS 25 JUNE 09 APPD: CHAU/PERCHERRE 25 JUNE 09 NAME: PIN CONNECTOR ASSEMBLY SCREW MOUNT CUSTOM DRAWER PRODUCT SPEC: 108-2285 APPLICATION SPEC: 114-13206 WEIGHT: - SCALE: 3:1	Tyco Electronics Harrisburg, PA 17105-3608 SIZE: A 00779 C=6651816 SHEET: 2 OF 2 REV: C
--	--	---	---