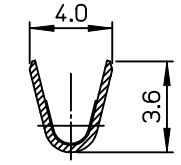
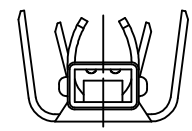
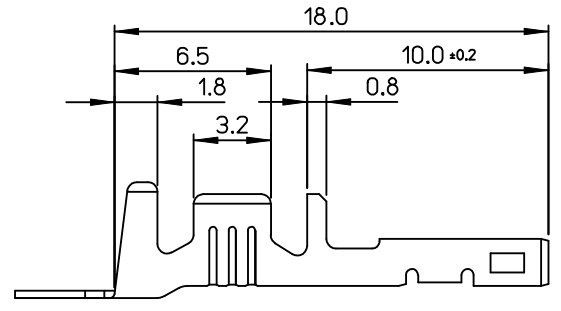
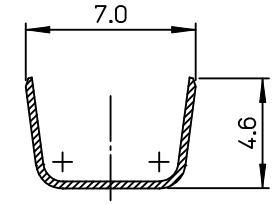


NOTES

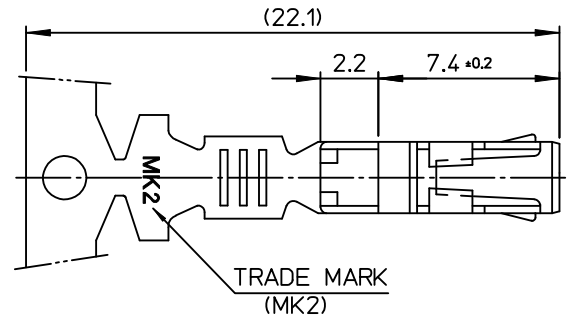
- 1. MATERIAL : PHOSPHOR BRONZE
0.3mm THICKNESS
- 2. FINISH : PRE-PLATED TIN
- 3. RECOMMENDED LENGTH OF WIRE STRIP IS 4.0-4.8mm.
- ② 4. APPLICABLE WIRE SIZE : AWG #20+#20
AWG #20+#18
AWG #18+#18



SECTION C-C



SECTION D-D



REVISED EC NO: KOR2016-0060 DRWN: JSSHIN 2015/12/24 CH'KD: SHCHU 2015/12/28 APPR:	DESCRIPTION D2	QUALITY SYMBOLS	GENERAL TOLERANCES (UNLESS SPECIFIED)		DIMENSION STYLE MM ONLY		SCALE 5:1	DESIGN UNITS METRIC	THIRD ANGLE PROJECTION	
		▼=0 ▽=0	mm	INCH	DRAWN BY BKCHOI	DATE 1992/11/17	TITLE .070 FEMALE TERMINAL (A-TYPE)			
		4 PLACES ± --- ± ---	3 PLACES ± --- ± ---	CHECKED BY BKCHOI	DATE 1992/11/17					
			2 PLACES ± 0.30 ± ---	1 PLACE ± 0.30 ± ---	APPROVED BY CWL EE	DATE 1992/11/17	MOLEX INCORPORATED MATERIAL NO. 357460310 DOCUMENT NO. SD-35746-003 SHEET NO. 1 OF 01			
ANGULAR ± 1 °			DRAFT WHERE APPLICABLE MUST REMAIN WITHIN DIMENSIONS		THIS DRAWING CONTAINS INFORMATION THAT IS PROPRIETARY TO MOLEX INCORPORATED AND SHOULD NOT BE USED WITHOUT WRITTEN PERMISSION					