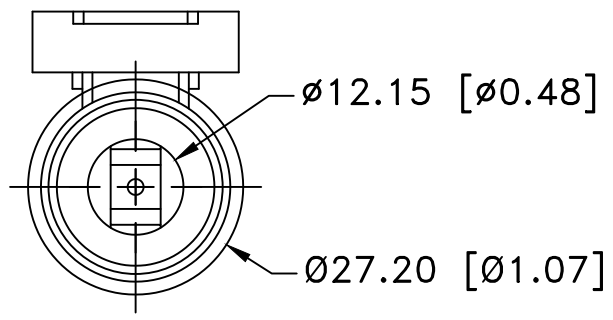
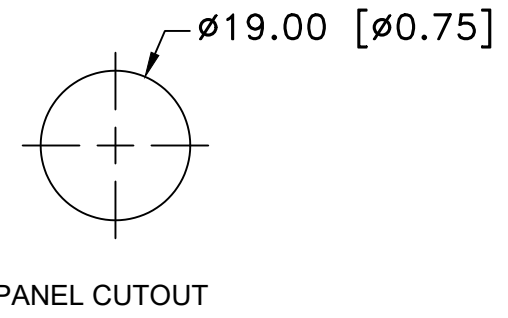
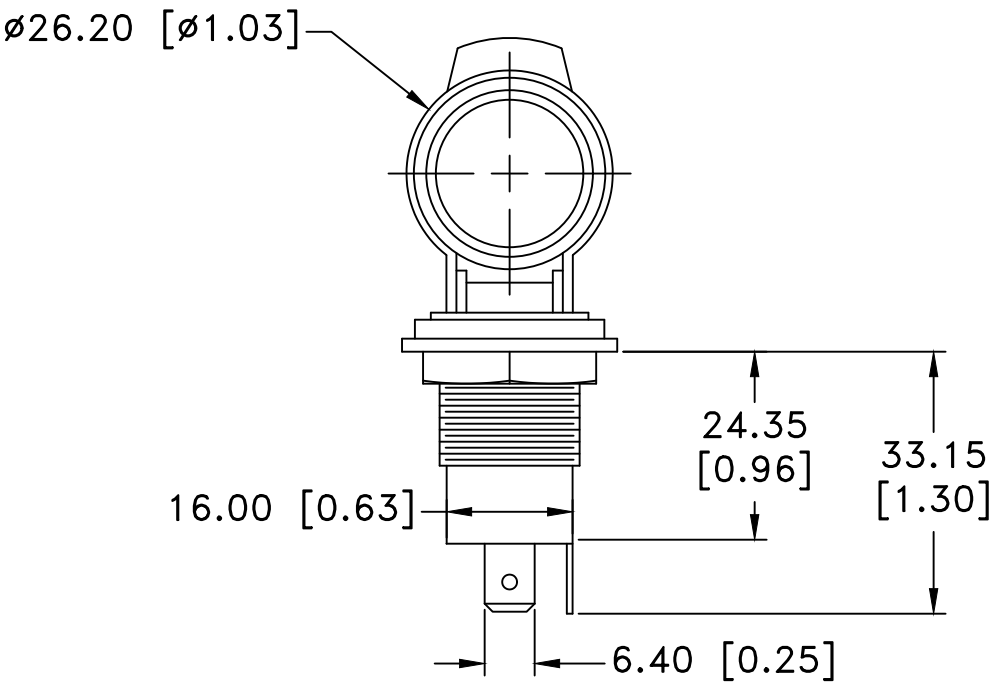



Date	SYM	REVISION RECORD	AUTH	DR.	CK.



MATERIAL SPECIFICATION:
 COVER: SPRING LOADED DUST PROOF, ANTI SPLASH CAP
 BODY: ALUMINUM
 TERMINALS: 0.250" QUICK CONNECT
 RATING: 12V, 15AMP
 ROHS 2 COMPLIANT

Tolerance (Except as noted)	 Memory Protection Devices, Inc 200 Broad Hollow Road, Farmingdale, New York 11735		
	decimal $\pm .5$ (.020)	Scale	Drawn By B.S. Approved By T.B.
Fractional $\pm .8$ (.030)	Title		
Angular $\pm 3^\circ$	Date 10/30/18	Drawing Number AS210	