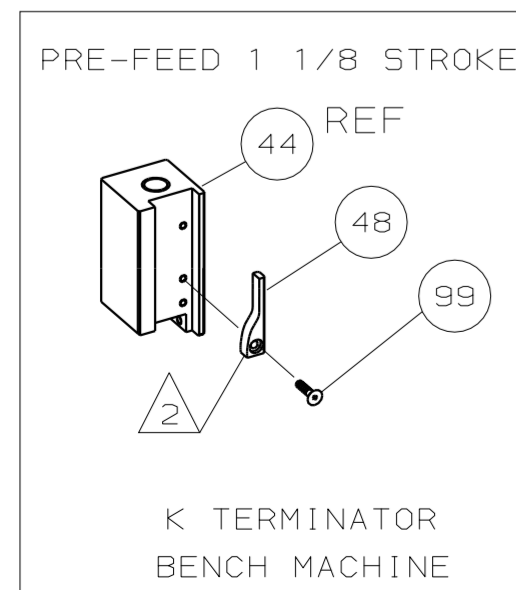
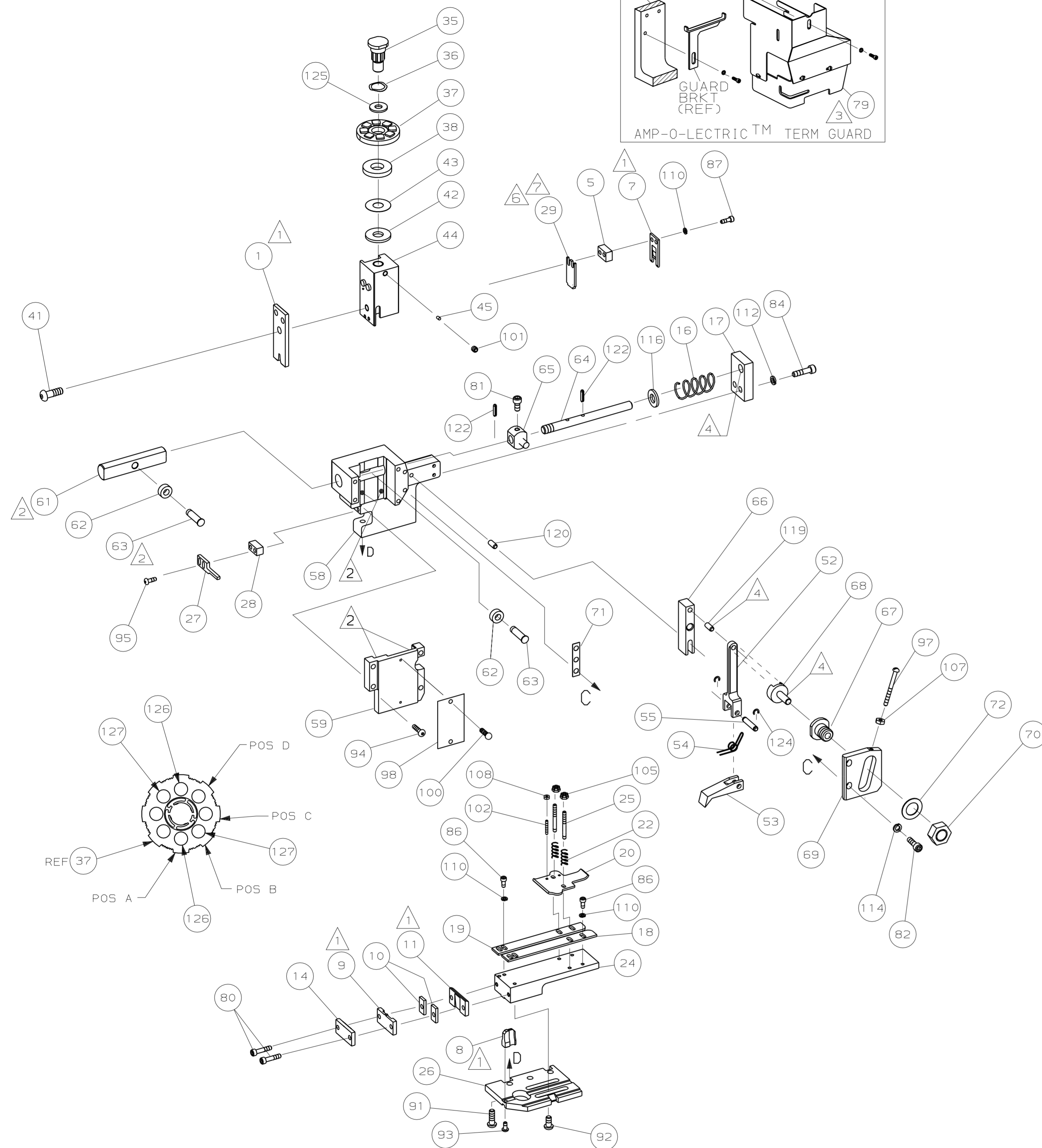
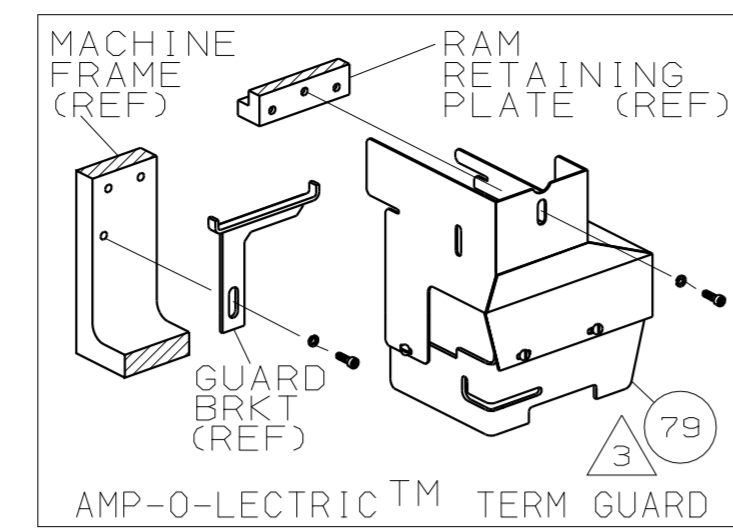


| PART NUMBER | REV | FIRST USED |
|-------------|-----|------------|
| 687833-3    | K   | 565435-5   |



- 1 RECOMMENDED SPARE PARTS.
- 2 GREASE LIGHTLY.
- 3 GUARD MUST BE IN PLACE WHEN OPERATING APPLICATOR IN A BENCH MACHINE.
- 4 LUBRICATE DAILY USING NO. 20 MACHINE OIL.
- 5. ITEMS WITH QTY OF REF SPECIFIED (EXCEPT ITEMS 78 AND 79) ARE USED ON ITEM 32.
- 6 ADJUST ITEM 29 TO ACHIEVE PROPER BEND WHEN CHANGING WIRE SIZES.
- 7 FIXED FORMING TOOL P/N 1633347-1 FOR 10 AWG WIRE AND P/N 1633347-2 FOR 12 AWG WIRE MAY BE SUBSTITUTED FOR ITEM 29 (P/N 690759-1).

| TERMINAL NAME: |                   | CRIMPING DATA |              |           |  |
|----------------|-------------------|---------------|--------------|-----------|--|
| FLANGED SPADE  |                   | PAD LTR       | CRIMP HEIGHT | WIRE SIZE |  |
|                | 40891-A           | A             | .120 ±.002   | 10        |  |
|                | 41495-A           | B             | .108 ±.002   | 12        |  |
|                | 42113-A           | C             | NOT          | USED      |  |
|                |                   | D             | NOT          | USED      |  |
| CRIMP          | SIZE              | TYPE          | RANGE        |           |  |
| WIRE           | .180              | F             | 12-10        |           |  |
| INSUL          | -                 | -             | -            |           |  |
| FEED           | APPL INST         | SET UP GAGE   | LAYOUT       |           |  |
| .800           | 408-8039          | 458638-1      | 26A          |           |  |
| TERM APPL SPEC | WIRE STRIP LENGTH | 114-2084      | .220-.250    |           |  |

| QTY | REV | DESCRIPTION                                  | ITEM NO |
|-----|-----|--|---------|
|     |     |  | 129     |
|     |     |  | 128     |
| 2   | -   | C 8-354778-3 PIN, WIRE DISC (.2910)B         | 127     |
| 2   | -   | C 5-354778-5 PIN, WIRE DISC (.2770)A         | 126     |
| 1   | -   | A 986950-1 WASHER, FLAT PRECISION            | 125     |
| REF | -   | A 21045-3 RING, RET "C" (Ø.187)FD PIN        | 124     |
|     |     |  | 123     |
| REF | -   | A 5-21028-1 PIN, STD SPRING (Ø.12)FD ADJ ROD | 122     |
|     |     |  | 121     |
| REF | -   | A 1-21030-7 PIN, DOWEL (Ø.187x1.50)HSG       | 120     |
| REF | -   | A 1-21030-1 PIN, DOWEL (Ø.187x.50)LEVER      | 119     |
|     |     |  | 118     |
|     |     |  | 117     |
| REF | -   | A 21899-4 WASHER, FLAT (Ø5/16)SCR ADJ        | 116     |
|     |     |  | 115     |
| REF | -   | A 21024-5 WASHER, LOCK (NO.10)FD ADJ PL      | 114     |
|     |     |  | 113     |
| REF | -   | A 21024-5 WASHER, LOCK (NO.10)FD ROD GDE     | 112     |
|     |     |  | 111     |
| 6   | -   | A 21024-4 WASHER, LOCK (NO.8)SHEAR BL        | 110     |
|     |     |  | 109     |
| 2   | -   | A 21018-4 NUT, HEX (4-40)DRAG                | 108     |
| REF | -   | A 21018-5 NUT, HEX (6-32)FD ADJ PL           | 107     |
|     |     |  | 106     |
| 2   | -   | A 21022-2 NUT, HEX SL (8-32)DRAG STUD        | 105     |
|     |     |  | 104     |
|     |     |  | 103     |
| 2   | -   | A 2-21006-6 SCR, SKT SET (4-40x.62)DRAG      | 102     |
| 1   | -   | A 21009-2 SCR, SKT SET (1/4-20x.25)RAM       | 101     |
| 2   | -   | A 21017-2 SCR, DRIVE (#2x.19)ID PLATE        | 100     |
| 1   | -   | A 1-21002-7 SCR, BHC (6-32x.38)CAM           | 99      |
| 1   | -   | B 461264-1 PLATE, IDENTIFICATION             | 98      |
| REF | -   | A 6-23715-5 SCR, PAN HD (6-32x1.50)FEED ADJ  | 97      |
|     |     |  | 96      |
| 2   | -   | A 2-21002-2 SCR, BHC (8-32x.50)STRIPPER      | 95      |
| REF | -   | A 2-21002-9 SCR, BHC (10-32x.75)HSG CAP      | 94      |
| 1   | -   | A 22733-8 SCR, BHC (8-32x.38 LW)ANVIL        | 93      |
| 4   | -   | A 3-21002-3 SCR, BHC (1/4-20x.50)ST GD PL    | 92      |
| REF | -   | A 2-22733-8 SCR, BHC (1/4-20x.62)BASE PL     | 91      |
|     |     |  | 90      |
|     |     |  | 89      |
|     |     |  | 88      |
| 2   | -   | A 2-21000-7 SCR, SHC (8-32x.50)SLUG BLADE    | 87      |
| 4   | -   | A 2-21000-6 SCR, SHC (8-32x.38)STRIP GUIDE   | 86      |
|     |     |  | 85      |
| REF | -   | A 3-21000-7 SCR, SKT CAP (10-32x.75)FD GDE   | 84      |
|     |     |  | 83      |
| REF | -   | A 3-21000-6 SCR, SKT CAP (10-32x.62)FD ADJ P | 82      |
| REF | -   | A 3-21000-4 SCR, SKT CAP (10-32x.38)PIVOT BL | 81      |
| 2   | -   | A 3-21002-0 SCR, BHC (10-32x.88)SH PL        | 80      |
| REF | -   | A 455745-1 GUARD, WINDOW                     | 79      |
|     |     |  | 78      |
|     |     |  | 77      |
|     |     |  | 76      |
|     |     |  | 75      |
|     |     |  | 74      |
|     |     |  | 73      |
| REF | -   | A 458109-1 WASHER, FLAT (SPECIAL)            | 72      |
| REF | -   | A 690517-1 SPACER                            | 71      |
|     |     |  | 70      |
|     |     |  | 69      |
|     |     |  | 68      |
|     |     |  | 67      |
|     |     |  | 66      |
|     |     |  | 65      |
|     |     |  | 64      |
|     |     |  | 63      |
|     |     |  | 62      |
|     |     |  | 61      |
|     |     |  | 60      |
|     |     |  | 59      |
|     |     |  | 58      |
|     |     |  | 57      |
|     |     |  | 56      |
|     |     |  | 55      |
|     |     |  | 54      |
|     |     |  | 53      |
|     |     |  | 52      |
|     |     |  | 51      |
|     |     |  | 50      |
|     |     |  | 49      |
| 1   | -   | B 690602-5 CAM, PRE FEED 1 1/8 ST            | 48      |
|     |     |  | 47      |
|     |     |  | 46      |
| 1   | -   | A 690191-1 PLUG, NYLON                       | 45      |
| 1   | -   | C 455674-1 RAM                               | 44      |
| 1   | -   | A 690125-1 WASHER, LAMINATED                 | 43      |
| 1   | -   | A 690124-7 WASHER, RAM                       | 42      |
| 1   | -   | A 7-21002-9 BOLT, CRIMPER (5/16-24x1.00)     | 41      |
|     |     |  | 40      |
|     |     |  | 39      |
| 1   | -   | A 690223-2 SPACER, INSULATION DISC           | 38      |
| 1   | -   | D 354777-1 WIRE DISC, PLASTIC                | 37      |
| 1   | -   | A 22480-5 WASHER, SPRING                     | 36      |
| 1   | -   | B 690212-1 POST, RAM                         | 35      |
|     |     |  | 34      |
|     |     |  | 33      |
| 1   | -   | D 458980-2 APPLICATOR, BASIC (SUB ASSY)      | 32      |
|     |     |  | 31      |
|     |     |  | 30      |
| 1   | -   | B 690759-1 TOOL, FLANGING                    | 29      |
| 1   | -   | B 3-690451-2 SPACER, STRIPPER                | 28      |
| 1   | -   | A 240639-1 STRIPPER                          | 27      |
| REF | -   | C 455676-1 PLATE, BASE                       | 26      |
| 2   | -   | A 22354-8 DRAG, STUD                         | 25      |
| 1   | -   | B 455678-6 PLATE, STRIP GUIDE                | 24      |
|     |     |  | 23      |
| 2   | -   | A 4-22281-1 SPRING, DRAG                     | 22      |
|     |     |  | 21      |
| 1   | -   | A 454177-1 DRAG, STOCK                       | 20      |
| 1   | -   | B 458030-4 GUIDE, STRIP (REAR)               | 19      |
| 1   | -   | C 458031-4 GUIDE, STRIP (FRONT)              | 18      |
| REF | -   | A 454178-1 GUIDE, FEED ROD                   | 17      |
| REF | -   | A 4-22284-9 SPRING, FEED RETURN              | 16      |
|     |     |  | 15      |
| 1   | -   | B 690783-5 PLATE, RETAINING                  | 14      |
|     |     |  | 13      |
|     |     |  | 12      |
| 1   | -   | B 1-240644-1 PLATE, REAR SHEAR               | 11      |
| 2   | -   | C 1-240645-2 SPACER, SHEAR PLATE             | 10      |
| 1   | -   | B 690784-7 PLATE, FRONT SHEAR                | 9       |
| 1   | -   | D 240654-3 ANVIL                             | 8       |
| 1   | -   | B 6-240651-7 BLADE, SLUG                     | 7       |
|     |     |  | 6       |
| 1   | -   | C 4-240641-8 SPACER, SLUG BLADE              | 5       |
|     |     |  | 4       |
|     |     |  | 3       |
|     |     |  | 2       |
| 1   | -   | C 456428-2 CRIMPER, WIRE                     | 1       |
|     |     |  | 0       |

| QTY | REV | DESCRIPTION                                  | ITEM NO |
|-----|-----|--|---------|
|     |     |  | 129     |
|     |     |  | 128     |
| 2   | -   | C 8-354778-3 PIN, WIRE DISC (.2910)B         | 127     |
| 2   | -   | C 5-354778-5 PIN, WIRE DISC (.2770)A         | 126     |
| 1   | -   | A 986950-1 WASHER, FLAT PRECISION            | 125     |
| REF | -   | A 21045-3 RING, RET "C" (Ø.187)FD PIN        | 124     |
|     |     |  | 123     |
| REF | -   | A 5-21028-1 PIN, STD SPRING (Ø.12)FD ADJ ROD | 122     |
|     |     |  | 121     |
| REF | -   | A 1-21030-7 PIN, DOWEL (Ø.187x1.50)HSG       | 120     |
| REF | -   | A 1-21030-1 PIN, DOWEL (Ø.187x.50)LEVER      | 119     |
|     |     |  | 118     |
|     |     |  | 117     |
| REF | -   | A 21899-4 WASHER, FLAT (Ø5/16)SCR ADJ        | 116     |
|     |     |  | 115     |
| REF | -   | A 21024-5 WASHER, LOCK (NO.10)FD ADJ PL      | 114     |
|     |     |  | 113     |
| REF | -   | A 21024-5 WASHER, LOCK (NO.10)FD ROD GDE     | 112     |
|     |     |  | 111     |
| 6   | -   | A 21024-4 WASHER, LOCK (NO.8)SHEAR BL        | 110     |
|     |     |  | 109     |
| 2   | -   | A 21018-4 NUT, HEX (4-40)DRAG                | 108     |
| REF | -   | A 21018-5 NUT, HEX (6-32)FD ADJ PL           | 107     |
|     |     |  | 106     |
| 2   | -   | A 21022-2 NUT, HEX SL (8-32)DRAG STUD        | 105     |
|     |     |  | 104     |
|     |     |  | 103     |
| 2   | -   | A 2-21006-6 SCR, SKT SET (4-40x.62)DRAG      | 102     |
| 1   | -   | A 21009-2 SCR, SKT SET (1/4-20x.25)RAM       | 101     |
| 2   | -   | A 21017-2 SCR, DRIVE (#2x.19)ID PLATE        | 100     |
| 1   | -   | A 1-21002-7 SCR, BHC (6-32x.38)CAM           | 99      |
| 1   | -   | B 461264-1 PLATE, IDENTIFICATION             | 98      |
| REF | -   | A 6-23715-5 SCR, PAN HD (6-32x1.50)FEED ADJ  | 97      |
|     |     |  | 96      |
| 2   | -   | A 2-21002-2 SCR, BHC (8-32x.50)STRIPPER      | 95      |
| REF | -   | A 2-21002-9 SCR, BHC (10-32x.75)HSG CAP      | 94      |
| 1   | -   | A 22733-8 SCR, BHC (8-32x.38 LW)ANVIL        | 93      |
| 4   | -   | A 3-21002-3 SCR, BHC (1/4-20x.50)ST GD PL    | 92      |
| REF | -   | A 2-22733-8 SCR, BHC (1/4-20x.62)BASE PL     | 91      |
|     |     |  | 90      |
|     |     |  | 89      |
|     |     |  | 88      |
| 2   | -   | A 2-21000-7 SCR, SHC (8-32x.50)SLUG BLADE    | 87      |
| 4   | -   | A 2-21000-6 SCR, SHC (8-32x.38)STRIP GUIDE   | 86      |
|     |     |  | 85      |
| REF | -   | A 3-21000-7 SCR, SKT CAP (10-32x.75)FD GDE   | 84      |
|     |     |  | 83      |
| REF | -   | A 3-21000-6 SCR, SKT CAP (10-32x.62)FD ADJ P | 82      |
| REF | -   | A 3-21000-4 SCR, SKT CAP (10-32x.38)PIVOT BL | 81      |
| 2   | -   | A 3-21002-0 SCR, BHC (10-32x.88)SH PL        | 80      |
| REF | -   | A 455745-1 GUARD, WINDOW                     | 79      |
|     |     |  | 78      |
|     |     |  | 77      |
|     |     |  | 76      |
|     |     |  | 75      |
|     |     |  | 74      |
|     |     |  | 73      |
| REF | -   | A 458109-1 WASHER, FLAT (SPECIAL)            | 72      |
| REF | -   | A 690517-1 SPACER                            | 71      |
|     |     |  | 70      |
|     |     |  | 69      |
|     |     |  | 68      |
|     |     |  | 67      |
|     |     |  | 66      |
|     |     |  | 65      |
|     |     |  | 64      |
|     |     |  | 63      |
|     |     |  | 62      |
|     |     |  | 61      |
|     |     |  | 60      |
|     |     |  | 59      |
|     |     |  | 58      |
|     |     |  | 57      |
|     |     |  | 56      |
|     |     |  | 55      |
|     |     |  | 54      |
|     |     |  | 53      |
|     |     |  | 52      |
|     |     |  | 51      |
|     |     |  | 50      |
|     |     |  | 49      |
|     |     |  | 48      |
|     |     |  | 47      |
|     |     |  | 46      |
|     |     |  | 45      |
|     |     |  | 44      |
|     |     |  | 43      |
|     |     |  | 42      |
|     |     |  | 41      |
|     |     |  | 40      |
|     |     |  | 39      |
|     |     |  | 38      |
|     |     |  | 37      |
|     |     |  | 36      |
|     |     |  | 35      |
|     |     |  | 34      |
|     |     |  | 33      |
|     |     |  | 32      |
|     |     |  | 31      |
|     |     |  | 30      |
|     |     |  | 29      |
|     |     |  | 28      |
|     |     |  | 27      |
|     |     |  | 26      |
|     |     |  | 25      |
|     |     |  | 24      |
|     |     |  | 23      |
|     |     |  | 22      |
|     |     |  | 21      |
|     |     |  | 20      |
|     |     |  | 19      |
|     |     |  | 18      |
|     |     |  | 17      |
|     |     |  | 16      |
|     |     |  | 15      |
|     |     |  | 14      |
|     |     |  | 13      |
|     |     |  | 12      |
|     |     |  | 11      |
|     |     |  | 10      |
|     |     |  | 9       |
|     |     |  | 8       |
|     |     |  | 7       |
|     |     |  | 6       |
|     |     |  | 5       |
|     |     |  | 4       |
|     |     |  | 3       |
|     |     |  | 2       |
|     |     |  | 1       |
|     |     |  | 0       |

| QTY | REV | DESCRIPTION                                  | ITEM NO |
|-----|-----|--|---------|
|     |     |  | 129     |
|     |     |  | 128     |
| 2   | -   | C 8-354778-3 PIN, WIRE DISC (.2910)B         | 127     |
| 2   | -   | C 5-354778-5 PIN, WIRE DISC (.2770)A         | 126     |
| 1   | -   | A 986950-1 WASHER, FLAT PRECISION            | 125     |
| REF | -   | A 21045-3 RING, RET "C" (Ø.187)FD PIN        | 124     |
|     |     |  | 123     |
| REF | -   | A 5-21028-1 PIN, STD SPRING (Ø.12)FD ADJ ROD | 122     |
|     |     |  | 121     |
| REF | -   | A 1-21030-7 PIN, DOWEL (Ø.187x1.50)HSG       | 120     |
| REF | -   | A 1-21030-1 PIN, DOWEL (Ø.187x.50)LEVER      | 119     |
|     |     |  | 118     |
|     |     |  | 117     |
| REF | -   | A 21899-4 WASHER, FLAT (Ø5/16)SCR ADJ        | 116     |
|     |     |  | 115     |
| REF | -   | A 21024-5 WASHER, LOCK (NO.10)FD ADJ PL      | 114     |
|     |     |  | 113     |
| REF | -   | A 21024-5 WASHER, LOCK (NO.10)FD ROD GDE     | 112     |
|     |     |  | 111     |
| 6   | -   | A 21024-4 WASHER, LOCK (NO.8)SHEAR BL        | 110     |
|     |     |  | 109     |
| 2   | -   | A 21018-4 NUT, HEX (4-40)DRAG                | 108     |
| REF | -   | A 21018-5 NUT, HEX (6-32)FD ADJ PL           | 107     |
|     |     |  | 106     |
| 2   | -   | A 21022-2 NUT, HEX SL (8-32)DRAG STUD        | 105     |
|     |     |  | 104     |
|     |     |  | 103     |
| 2   | -   | A 2-21006-6 SCR, SKT SET (4-40x.62)DRAG      | 102     |
| 1   | -   | A 21009-2 SCR, SKT SET (1/4-20x.25)RAM       | 101     |
| 2   | -   | A 21017-2 SCR, DRIVE (#2x.19)ID PLATE        | 100     |
| 1   | -   | A 1-21002-7 SCR, BHC (6-32x.38)CAM           | 99      |
| 1   | -   | B 461264-1 PLATE, IDENTIFICATION             | 98      |
| REF | -   | A 6-23715-5 SCR, PAN HD (6-32x1.50)FEED ADJ  | 97      |
|     |     |  | 96      |
| 2   | -   | A 2-21002-2 SCR, BHC (8-32x.50)STRIPPER      | 95      |
| REF | -   | A 2-21002-9 SCR, BHC (10-32x.75)HSG CAP      | 94      |
| 1   | -   | A 22733-8 SCR, BHC (8-32x.38 LW)ANVIL        | 93      |
| 4   | -   | A 3-21002-3 SCR, BHC (1/4-20x.50)ST GD PL    | 92      |
| REF | -   | A 2-22733-8 SCR, BHC (1/4-20x.62)BASE PL     | 91      |
|     |     |  | 90      |
|     |     |  | 89      |
|     |     |  | 88      |
| 2   | -   | A 2-21000-7 SCR, SHC (8-32x.50)SLUG BLADE    | 87      |
| 4   | -   | A 2-21000-6 SCR, SHC (8-32x.38)STRIP GUIDE   | 86      |
|     |     |  | 85      |
| REF | -   | A 3-21000-7 SCR, SKT CAP (10-32x.75)FD GDE   | 84      |
|     |     |  |         |