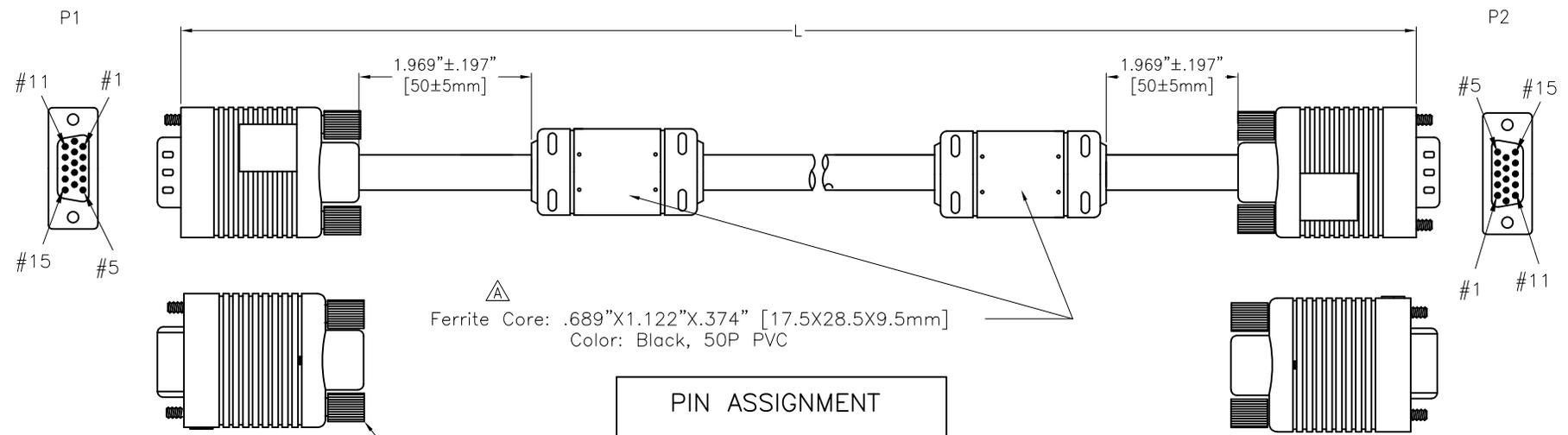


APPROVED: \_\_\_\_\_  
 DATE: \_\_\_\_\_ TITLE: \_\_\_\_\_

Rev	AWO #	Description	Date	Appr
-		RELEASED	10/13/15	
A		UPDATE DIM.	9/27/19	AY/JC

CUSTOM CABLE ASSEMBLIES ARE NON-CANCELLABLE/NON-RETURNABLE



▲ Ferrite Core: .689"X1.122"X.374" [17.5X28.5X9.5mm]  
 Color: Black, 50P PVC

PIN ASSIGNMENT	
P1	P2
1 —○— COAX-RED-IN — 1	1 —○— COAX-RED-IN — 1
6 —○— COAX-RED-GND — 6	6 —○— COAX-RED-GND — 6
2 —○— COAX-GRN-IN — 2	2 —○— COAX-GRN-IN — 2
7 —○— COAX-GRN-GND — 7	7 —○— COAX-GRN-GND — 7
3 —○— COAX-BLU-IN — 3	3 —○— COAX-BLU-IN — 3
8 —○— COAX-BLU-GND — 8	8 —○— COAX-BLU-GND — 8
4 —	4 —
5 —	5 —
10 —	10 —
11 —	11 —
12 —	12 —
13 —	13 —
14 —	14 —
15 —	15 —
S —	S —

ADAM P/N	L
CA-VGA-M/M-3FT	36.024" ± 1.181" [915 ± 30mm]
CA-VGA-M/M-6FT	72.047" ± 1.969" [1830 ± 50mm]
CA-VGA-M/M-10FT	120.079" ± 1.969" [3050 ± 50mm]

**SPECIFICATIONS:**

**Connector:**  
 P1=P2= High Density D-Sub Connector 15P, VGA Plug,  
 Insulator Color: Blue, Overmold Color: Black, 50P PVC

**Cable:**  
 UL2919, 28/28-3C/9+A+D+B, OD: .315" [8mm], Jacket Color: Black <AL-Braid>

**Electrical Test:**  
 All Assemblies must be 100% Tested for  
 Shorts, Open, Continuity, and Physical Appearance.

**Environmental:**  
 Lead free, RoHS compliant



UNLESS OTHERWISE SPECIFIED  
 ALL DIMENSIONS ARE INCHES [MM]  
 TOLERANCES: EXCEPT AS NOTED

INCHES		HOLES	
.X ± .10	∅X ± .10	.XX ± .020	∅XX ± .015
.XXX ± .015	∅XXX ± .010		

APPROVALS		DATE
DRAWN	HR	10/13/15
CHECKED	TW	10/13/15
APPROVED		

**ADAM TECH INTERCONNECTS** 909 Rahway Avenue,  
 Union, NJ 07083  
 Phone: 908-687-5000  
 Fax: 908-687-5710

TITLE: CUSTOM ASSEMBLY, VGA PLUG TO VGA PLUG

SIZE X	PART NO. CA-VGA-M/M-XFT	REV. A
REF: S00087T	SCALE: NTS	SHEET 1 OF 1