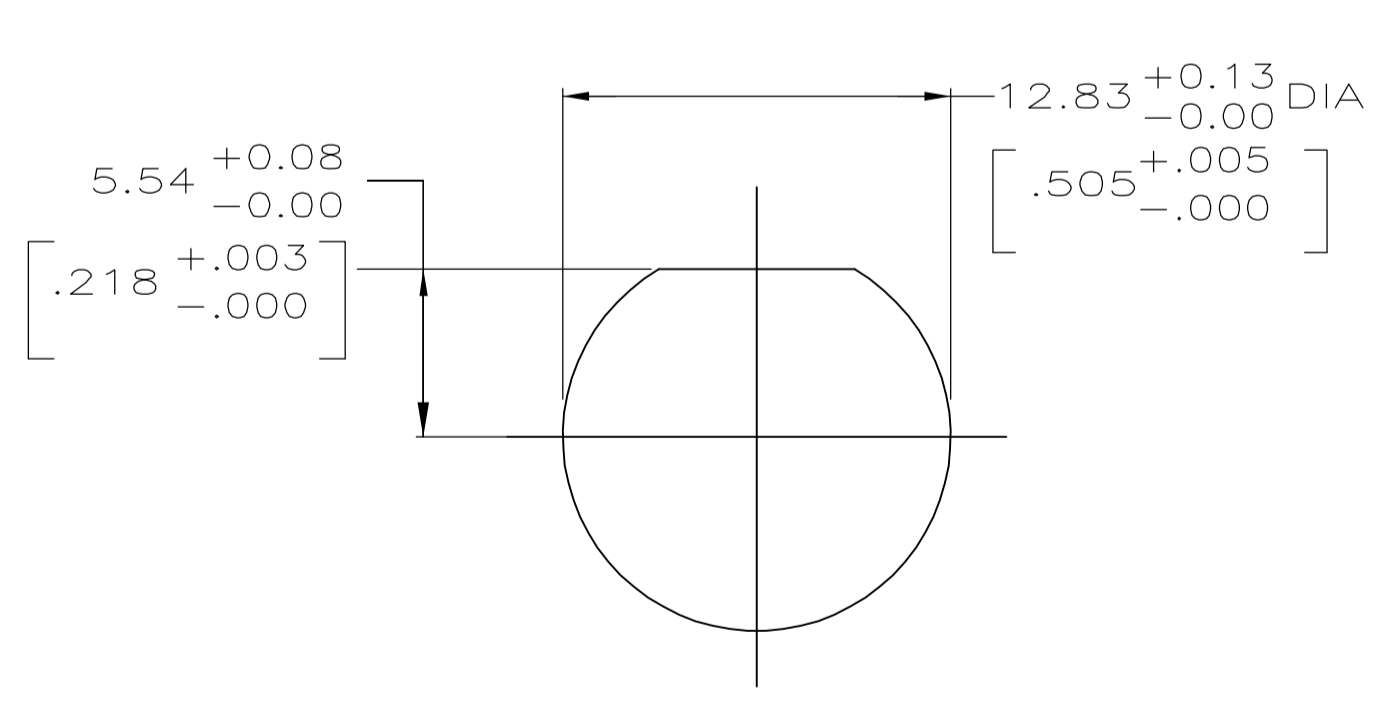
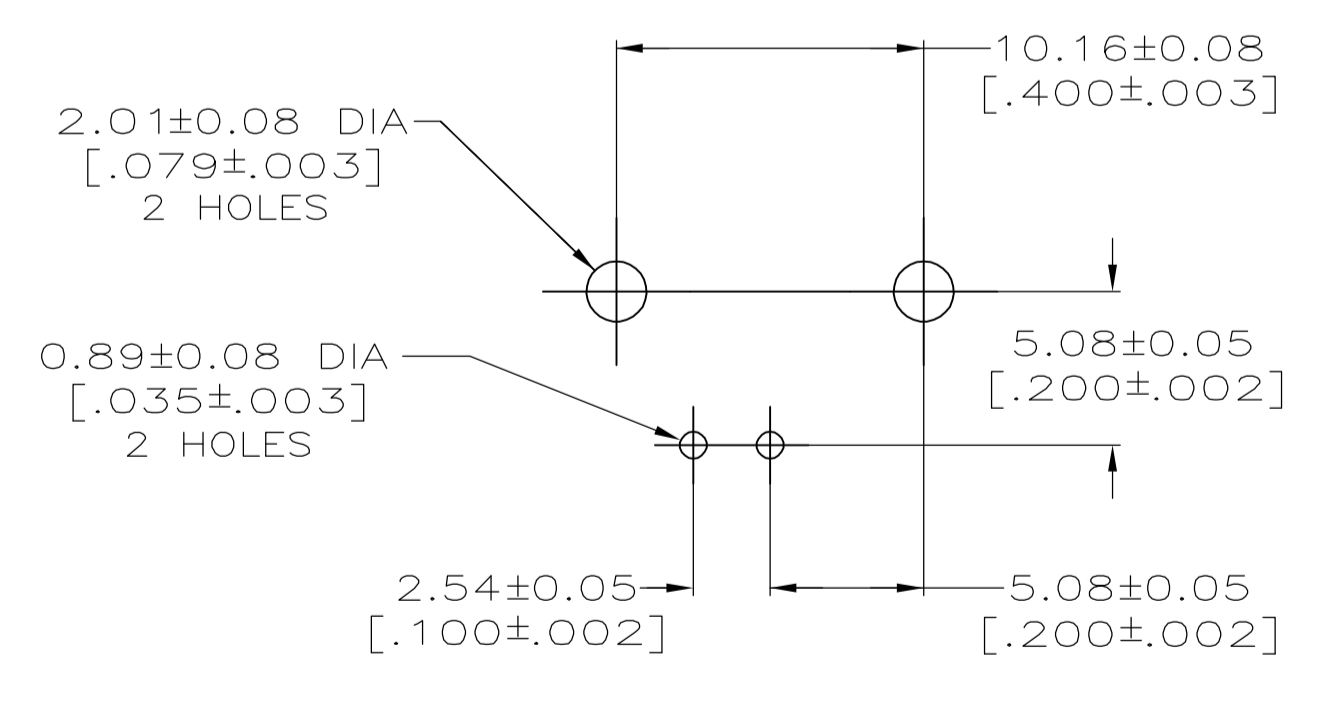


- 1 ZINC PER QQ-Z-363.
- 2 POLYMETHYLPENTENE, GENERAL PURPOSE.
- 3 BERYLLIUM COPPER PER QQ-C-530.
- 4 BRASS PER ASTM-B-453.
- 5 BRASS PER ASTM-B-16.
- 6 NICKEL PLATE PER QQ-N-290, 3.81 μm [.000150] MINIMUM THICK.
- 7 TIN PLATE PER ASTM-B-545, 3.81 μm [.000150] MINIMUM THICK.
- 8 GOLD PLATE PER MIL-G-45204, 0.76 μm [.000030] MINIMUM THICK.
- 9. SEE INSTRUCTION SHEET 2769.



RECOMMENDED PANEL CUTOUT



PCB CONFIGURATION

|          |                       |                       |             |
|----------|-----------------------|-----------------------|-------------|
| OBSOLETE | 2.03±0.13 [.080±.005] | 2.29±0.13 [.090±.005] | 414907-3    |
|          | 2.03±0.13 [.080±.005] | 2.79±0.25 [.110±.010] | 414907-2    |
|          | 3.48±0.25 [.137±.010] | 4.11±0.43 [.162±.017] | 414907-1    |
|          | B                     | A                     | PART NUMBER |

|  |                        |                        |   |
|--|------------------------|------------------------|---|
| THIS DRAWING IS A CONTROLLED DOCUMENT. |                        | DIN J. LIPPERT 7-7-94  | Tyco Electronics Corporation<br>Harrisburg, PA 17105-3608 |
| DIMENSIONS: INCHES                     |                        | CHK M. TOMCHAK 7-7-94  |   |
| TOLERANCES UNLESS OTHERWISE SPECIFIED: |                        | APVD J. LIPPERT 7-7-94 | NAME  |
| 0 PLC ± -                              | 1 PLC ± -              | PRODUCT SPEC           | JACK, RIGHT ANGLE, 75 OHM, LOW PROFILE, PCB, BNC          |
| 2 PLC ± ± 0.20 [.008]                  | 3 PLC ± -              | APPLICATION SPEC       |   |
| 4 PLC ± -                              | ANGLES ± -             | SIZE                   | CAGE CODE DRAWING NO                                      |
| MATERIAL SEE NOTES 1 - 5               | FINISH SEE NOTES 6 - 8 | WEIGHT                 | RESTRICTED TO   |
| CUSTOMER DRAWING                       |                        | A1 00779 C=414907      | SCALE 4:1 SHEET 1 OF 1 REV C1                             |