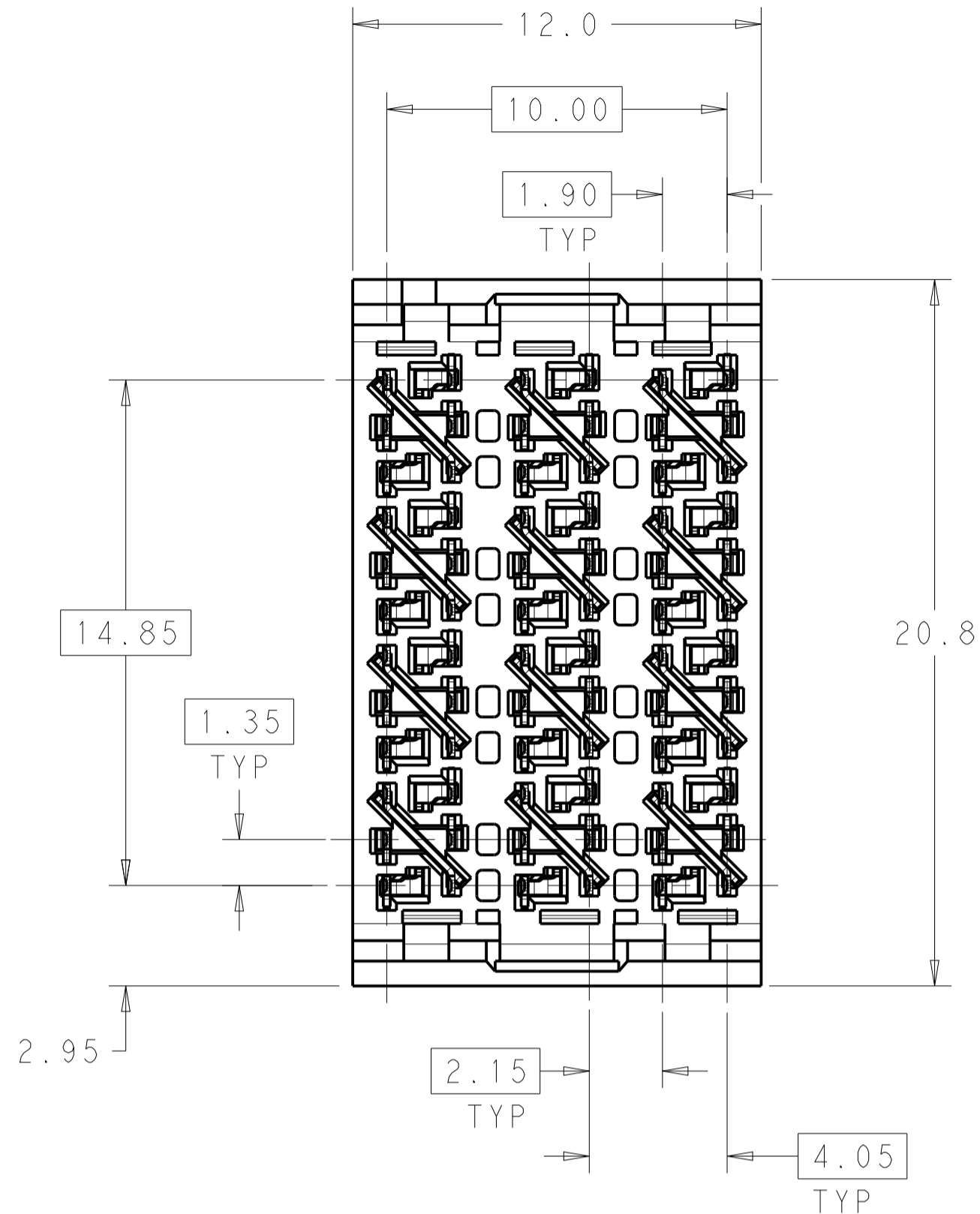
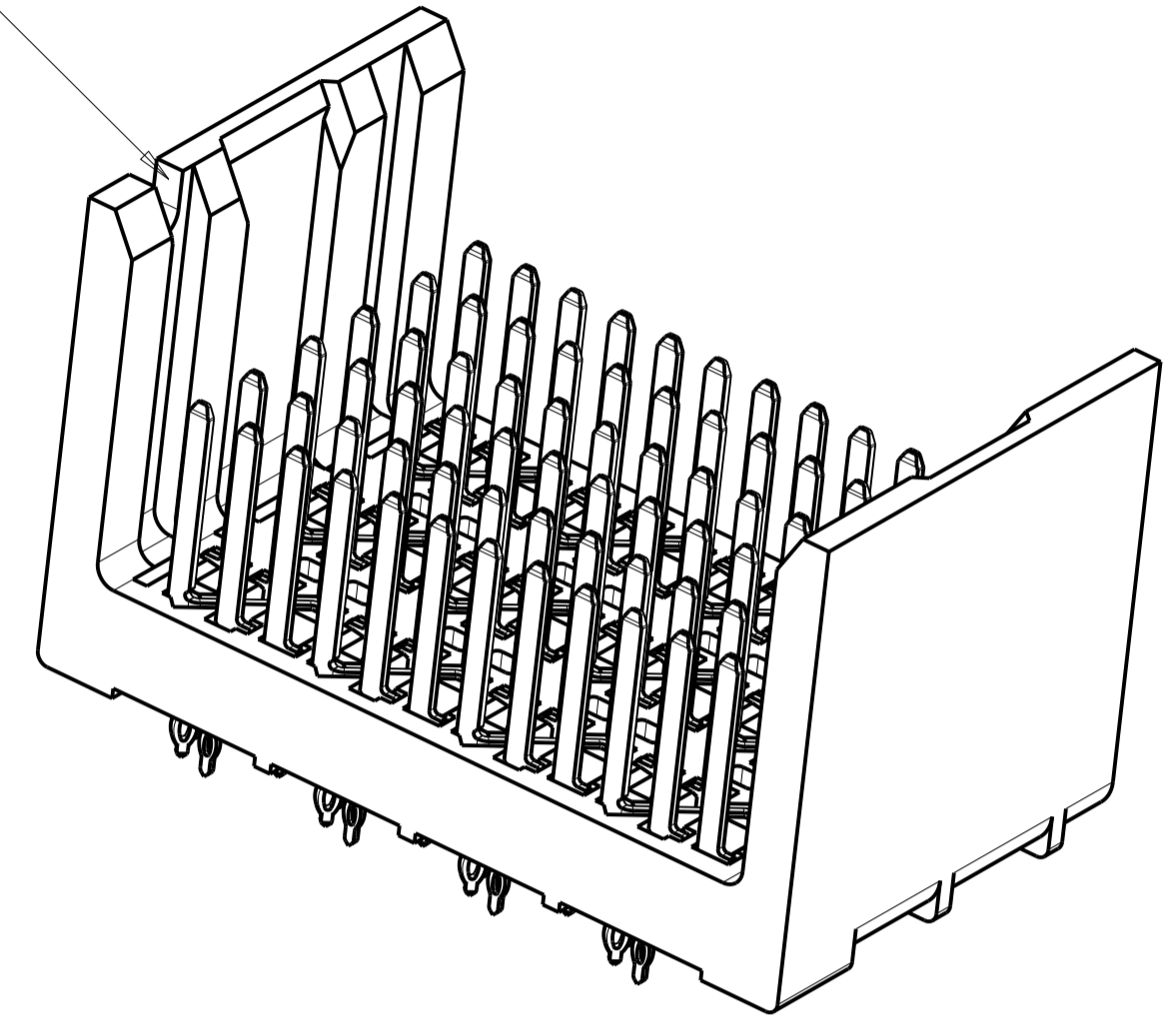


REVISIONS				
P.	LTN	DESCRIPTION	DATE	APPROV
C		REVISED PER ECO-14-013271	06SEP2014	AP DD

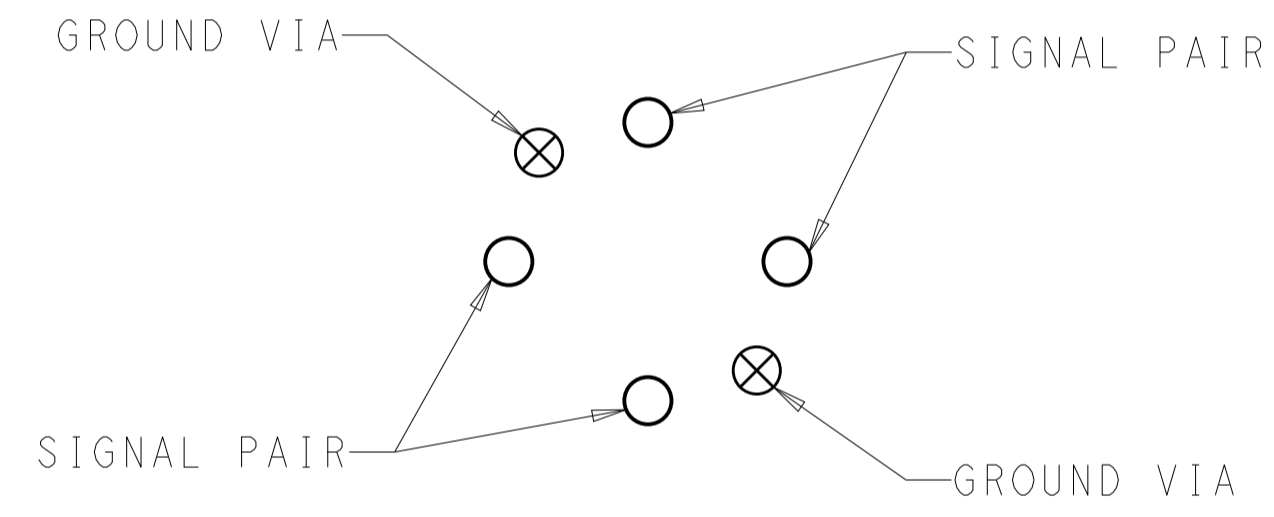


NOTCH DESIGNATES ROW A

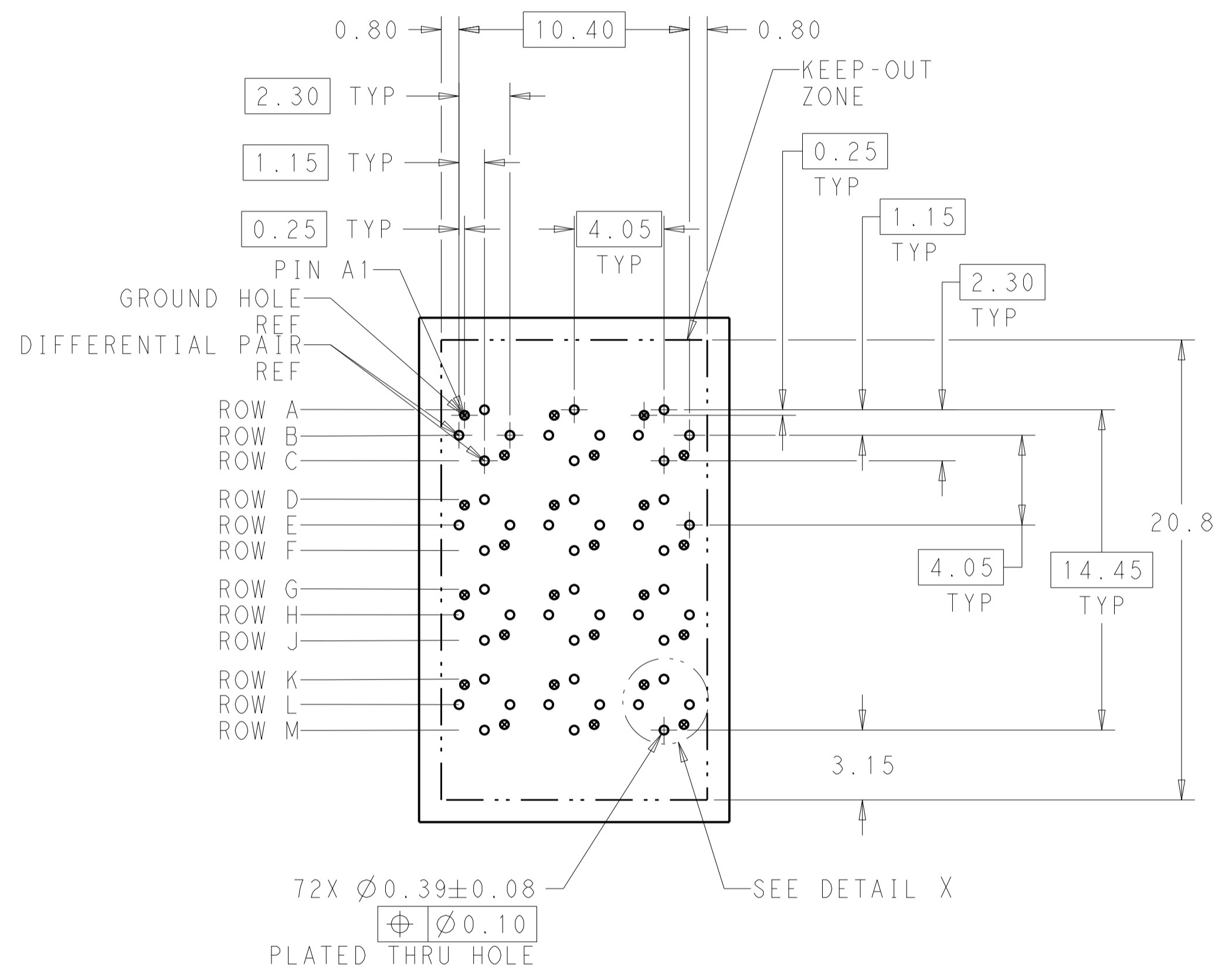


1 MATERIAL:
HOUSING: LCP, GLASS FILLED, UL94V-0.
TERMINALS: HIGH PERFORMANCE COPPER ALLOY.

2 FINISH:
30μ" MIN GOLD IN CONTACT AREA. SELECTIVE TIN ON PCB TAILS, NICKEL OVERALL.

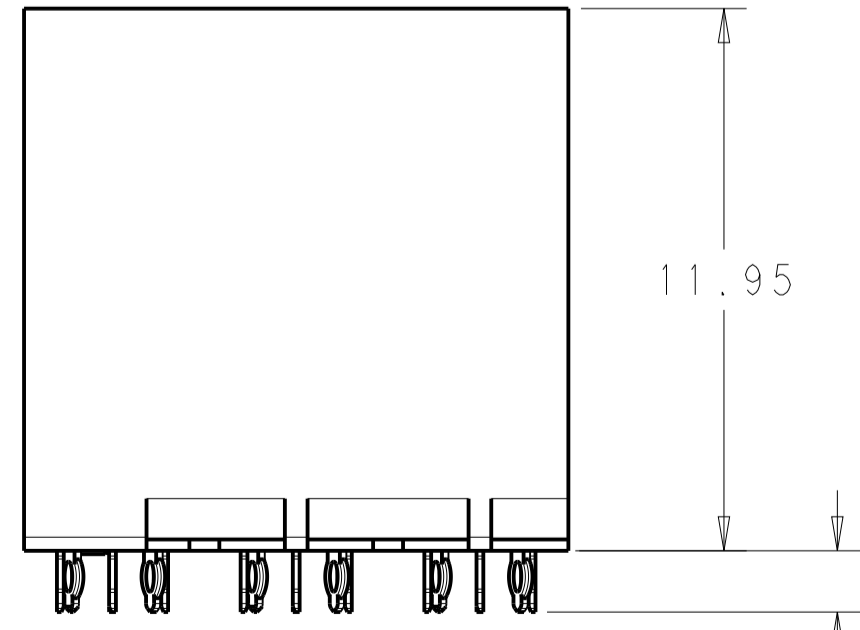


DETAIL X
SCALE 16:1

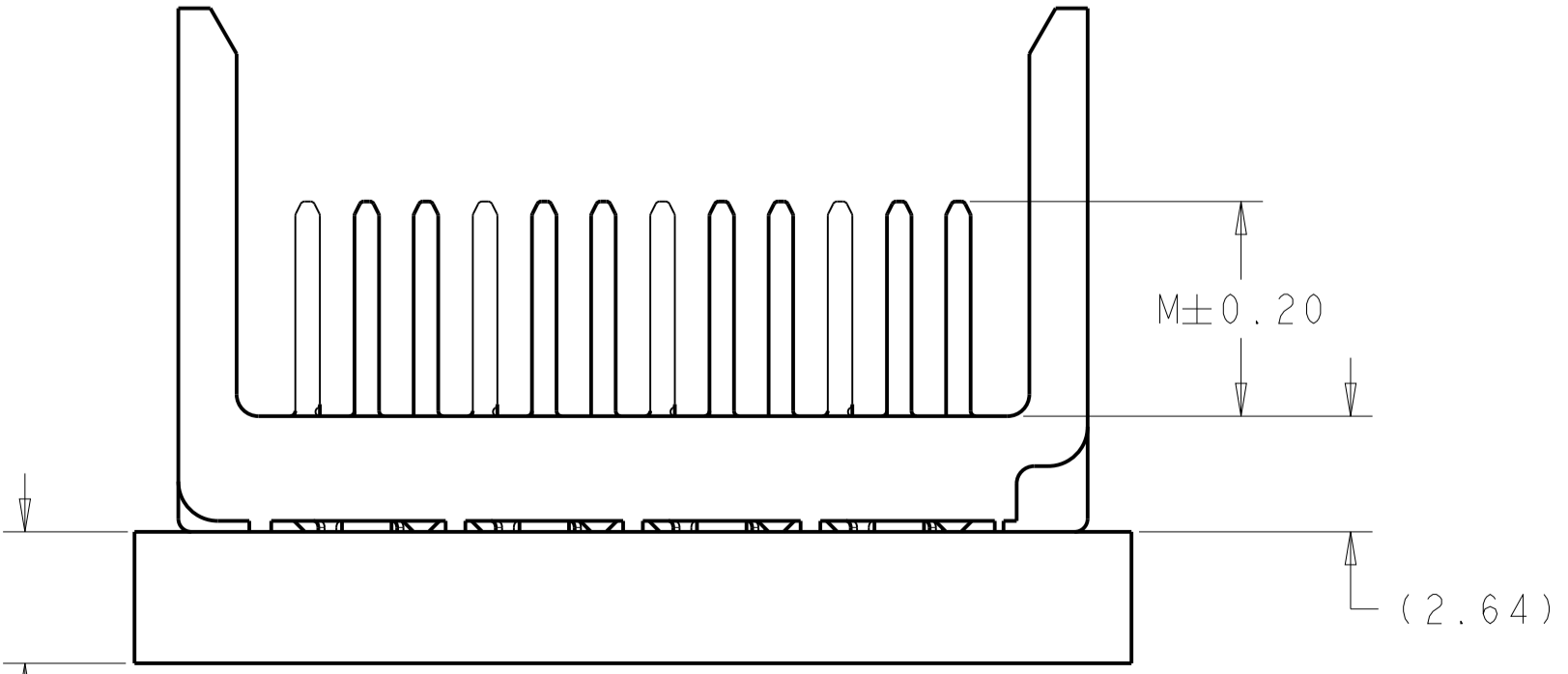


UNGUIDED
BACKPLANE HOLE PATTERN
(CONNECTOR SIDE)

REFER TO WWW.TE.COM
FOR PRODUCT AVAILABILITY



1.4 TAIL LENGTH



3.00
MINIMUM BOARD THICKNESS

2	5.5	PART_NO: 1-2
2	4.9	PART_NO: 1-1
FINISH	DIM M	PART NUMBER

THIS DRAWING IS A CONTROLLED DOCUMENT.		DWN: KIRAN HOLAL 18OCT2012	TE Connectivity
DIMENSIONS: mm		CHK: DIXON DIRK 18OCT2012	NAME: IMPACT, ORTHOGONAL, 4 PAIR, 6 COLUMN HEADER, UNGUIDED, OPEN END WALL SIGNAL MODULE, 0.39 PTH
TOLERANCES UNLESS OTHERWISE SPECIFIED:		APPR: DIXON DIRK 18OCT2012	
0 PLC	±	PRODUCT SPEC	SIZE: CAGE CODE DRAWING NO. RESTRICTED TO
1 PLC	±0.25	APPLICATION SPEC	
2 PLC	±0.13	WEIGHT	A100779C=2132597
3 PLC	±	FINISH	CUSTOMER DRAWING
4 PLC	±	SCALE	6:1
ANGLES	±	SHEET	1 OF 1
MATERIAL	SEE TABLE	REV	C