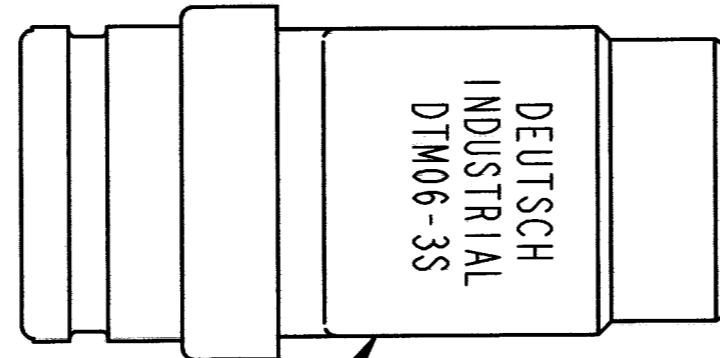
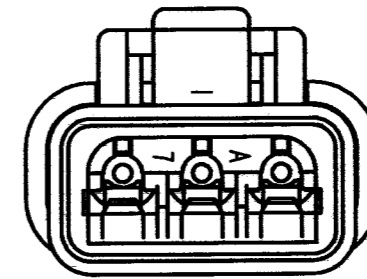
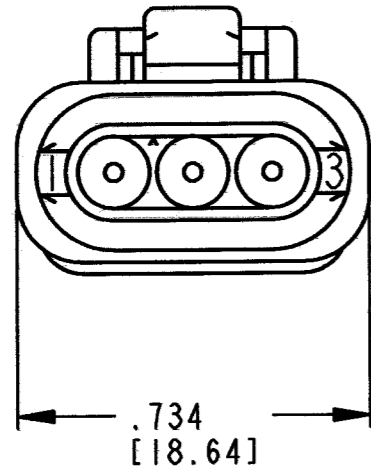
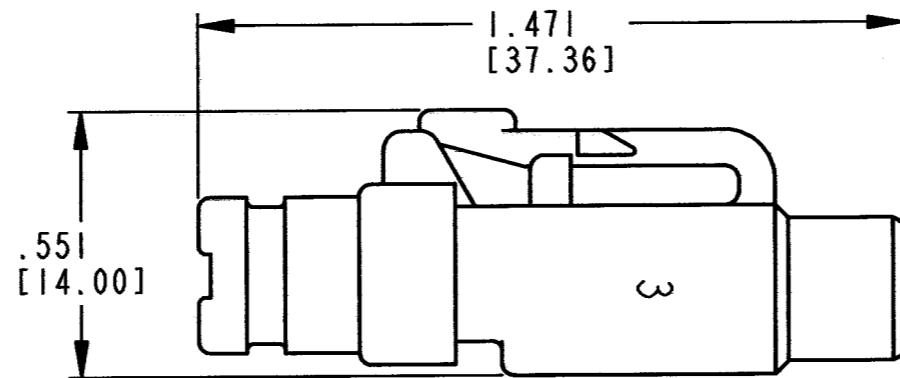
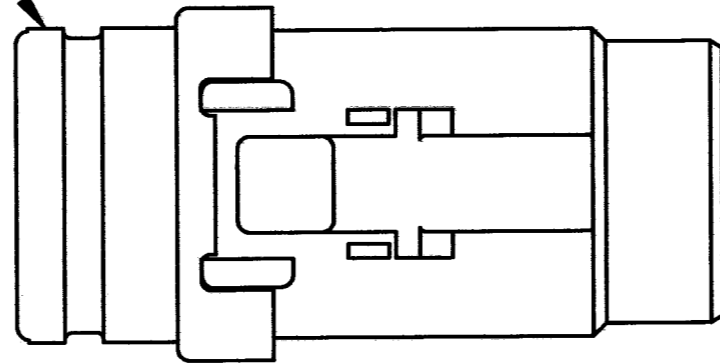


7
SHRINK BOOT CAP



HOUSING

REV
A
DTM06-3S-E007

REVISIONS			
SYM	DESCRIPTION	DATE	APPROVED
NC	NEW RELEASE PER E.O. P15425	10-21-97	RDR
A	REVISED & REDRAWN PER E.O. P21371	5-28-12	RDR

7. PART MODIFICATION

6. MATERIAL - HOUSING/EXTENDED CAP: PLASTIC;
GROMMET: RUBBER.

5. THIS PLUG MATES WITH DTM04-3P-**** RECEPTACLE.
(**** = ALL MODIFICATIONS)

4. FOR CONTACT AND WIRE PERFORMANCE AND APPLICATION
CHARACTERISTICS SEE ENVELOPE DRAWING 0425-015-0000.

3. SECONDARY WEDGE LOCK SOLD SEPARATELY: WM-3S.

2. DIMENSION TOLERANCE: $\pm .025$ [.64].

1. DIMENSIONS ARE IN INCHES [mm].

NOTES: UNLESS OTHERWISE SPECIFIED

CONTACT SIZE	MIN. INSUL O.D. [mm]	MAX. INSUL O.D. [mm]	WIRE RANGE [mm ²] REF ONLY
20	.053 [1.35]	.120 [3.05]	16-22 AWG [1.0-0.5]



SIGNATURE & DATE	
DR	S. THEIS 9/16/97
CHK	<i>[Signature]</i> 5/24/2012
PE	<i>[Signature]</i> 5-22-12
APPD	<i>[Signature]</i> 5/23/12
SCALE	NONE
WT	

PLUG
3 SIZE #20 CONTACTS
-E007 MOD
DTM SERIES

ENVELOPE

EP	MATL. CODE
3850 INDUSTRIAL AVE. HEMET, CA 92545	
DTM06-3S-E007	
DWG SIZE	CODE 11139 SHEET OF