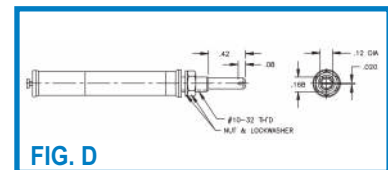
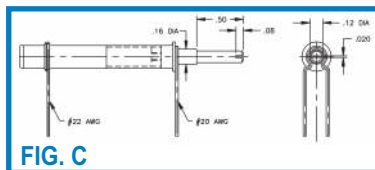
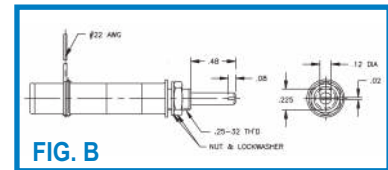
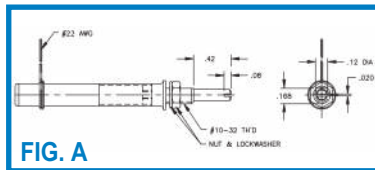
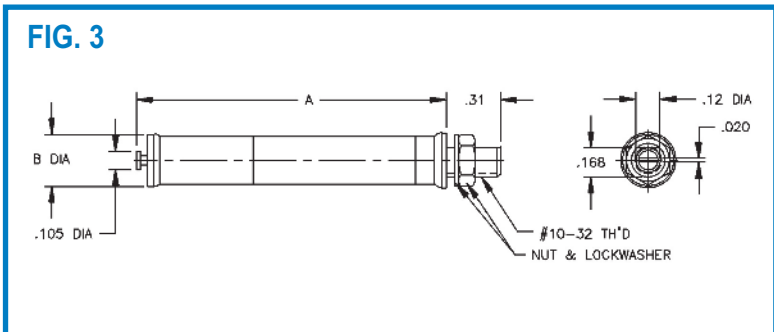
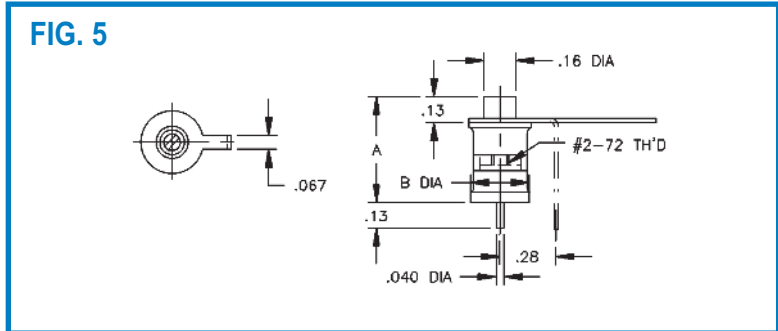
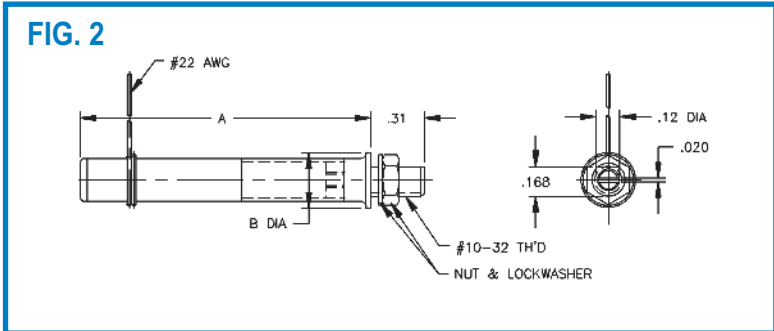
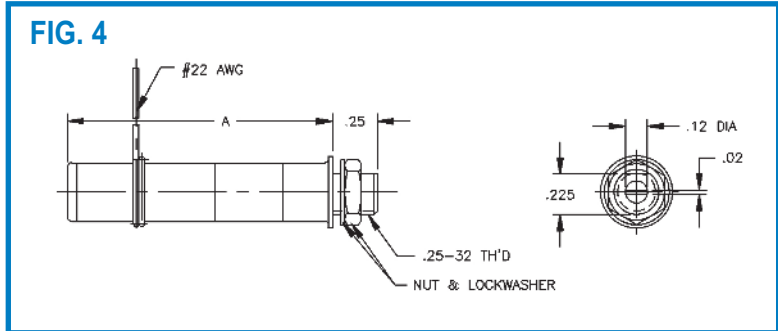
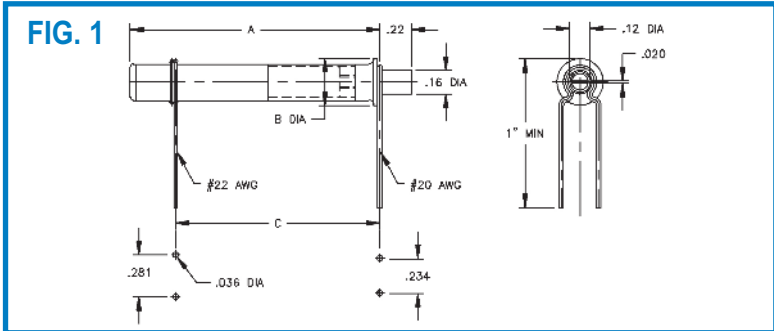


GLASS, QUARTZ & SAPPHIRE Non-magnetic Trimmer Capacitors

| Part Number | Capacitance (pF) | | Q (Min) 100 MHz. | DC Working Voltage | DC Withstanding Voltage | Dielectric | Fig. | "A" Dim. ± .016 | "B" Dim. ± .016 | "C" Dim. ± .06 | Ex. Shaft Option |
|-------------|------------------|----------|---------------------|--------------------|-------------------------|------------|------|--------------------|--------------------|-------------------|------------------|
| | From Below | To Above | | | | | | | | | |
| NMTF16AR | 1.5 | 16 | 800 | 1000 | 2000 | GLASS | 5 | 0.67 | 0.31 | | NA |
| NMTM38G | 0.8 | 38 | 800 | 1250 | 2500 | GLASS | 2 | 1.66 | 0.31 | | Fig. A |
| NMTP38G | 0.8 | 38 | 800 | 1250 | 2500 | GLASS | 1 | 1.67 | 0.31 | 1.38 | Fig. C |
| NMTP60C | 1.0 | 60 | 650 | 1000 | 2000 | GLASS | 1 | 1.16 | 0.31 | 1.13 | Fig. C |
| NMHTM64C | 2.0 | 64 | 700 | 125 | 250 | GLASS | 3 | 0.63 | 0.31 | | Fig. D |
| NMTP75C | 3.0 | 75 | 700 | 1000 | 2000 | GLASS | 1 | 1.16 | 0.31 | 1.13 | Fig. C |
| NMTM75C | 3.0 | 75 | 700 | 1000 | 2000 | GLASS | 3 | 1.17 | 0.31 | | Fig. D |
| NMTM120C | 2.0 | 120 | 600 | 1000 | 2000 | GLASS | 3 | 1.76 | 0.31 | | Fig. D |
| NMQM3G | 0.5 | 3.5 | 9000 | 1250 | 2500 | QUARTZ | 2 | 0.63 | 0.31 | | Fig. A |
| NMQM6G | 1.0 | 6 | 9000 | 1250 | 2500 | QUARTZ | 2 | 0.63 | 0.31 | | Fig. A |
| NMQM10G | 0.6 | 9.5 | 9000 | 1250 | 2500 | QUARTZ | 2 | 1.06 | 0.31 | | Fig. A |
| NMQM12G | 1.0 | 12 | 9000 | 1250 | 2500 | QUARTZ | 4 | 1.45 | 0.45 | | Fig. B |
| NMQM22G | 1.0 | 22 | 9000 | 1250 | 2500 | QUARTZ | 2 | 1.67 | 0.31 | | Fig. A |
| NMQM24G | 7.5 | 24 | 7000 | 1250 | 2500 | QUARTZ | 4 | 1.48 | 0.40 | | Fig. B |
| NMP40M | 2.0 | 40 | 3000 | 500 | 1000 | SAPPHIRE | 2 | 1.30 | 0.31 | | Fig. A |



SAPPHIRE

Non-magnetic Trimmer Capacitors

FIG. 1

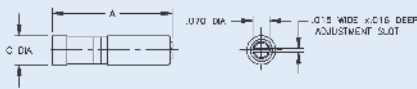
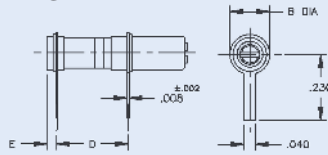


FIG. 2



Optional Configurations

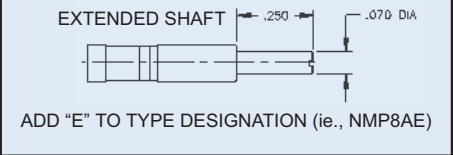


FIG. 3

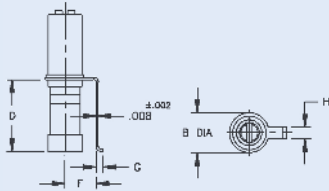


FIG. 4

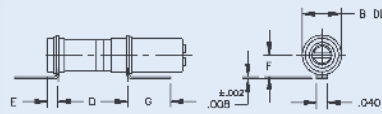
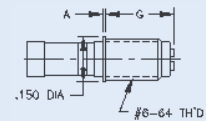


FIG. 5



IN 0.002 0.005 0.008 0.010 0.014 0.015 0.018 0.020 0.025 0.034 0.036 0.040 0.045 0.047 0.056 0.060 0.070 0.075 0.082 0.090 0.093 0.094 0.100 0.110 0.118 0.125 0.130 0.140 0.148 0.150 0.160 0.183 0.190 0.230 0.240 0.245 0.250 0.329 0.495
MM 0.05 0.13 0.20 0.25 0.36 0.38 0.46 0.51 0.64 0.86 0.91 1.02 1.14 1.19 1.42 1.52 1.78 1.91 2.08 2.29 2.36 2.39 2.54 2.79 3.00 3.18 3.30 3.56 3.76 3.81 4.06 4.65 4.83 5.84 6.10 6.22 6.35 8.36 12.57

| Type | Fig. | Capacitance Range (pF) | | Q (Min.) 250 MHz | Tolerances (where not specified) ± .016 | | | | | | | |
|--------|------|------------------------|----------|---------------------|---|--------|------------|------------|------------|------|------|------------|
| | | From Below | To Above | | A (max) | B DIA. | C± .005 | D± .010 | E± .010 | F | G | H± .005 |
| NMP3A | 1 | 0.6 | 2.5 | 4,000 | .240 | - | .118 | - | - | - | - | - |
| NMP5A | 1 | 0.6 | 4.5 | 3,000 | .329 | - | .118 | - | - | - | - | - |
| NMP8A | 1 | 0.8 | 7.0 | 1,500 | .495 | - | .118 | - | - | - | - | - |
| NMP12A | 1 | 1.0 | 12.0 | 1,500 | .495 | - | .118 | - | - | - | - | - |
| NMP3B | 2 | 0.6 | 2.5 | 4,000 | .240 | .140 | .118 | .082 | .014 | - | - | - |
| NMP5B | 2 | 0.6 | 4.5 | 3,000 | .329 | .140 | .118 | .130 | .034 | - | - | - |
| NMP8B | 2 | 0.8 | 7.0 | 1,500 | .495 | .140 | .118 | .250 | .036 | - | - | - |
| NMP12B | 2 | 1.0 | 12.0 | 1,500 | .495 | .140 | .118 | .250 | .036 | - | - | - |
| NMP3F | 3 | 0.6 | 2.5 | 4,000 | .240 | .140 | .118 | .090 | - | .110 | .025 | .04 |
| NMP5F | 3 | 0.6 | 4.5 | 3,000 | .329 | .140 | .118 | .160 | - | .110 | .025 | .04 |
| NMP8F | 3 | 0.8 | 7.0 | 1,500 | .495 | .140 | .118 | .250 | - | .110 | .025 | .04 |
| NMP12F | 3 | 1.0 | 12.0 | 1,500 | .495 | .140 | .118 | .250 | - | .110 | .025 | .04 |
| NMP3J | 4 | 0.6 | 2.5 | 4,000 | .240 | .140 | .118 | .082 | .014 | .070 | .160 | - |
| NMP5J | 4 | 0.6 | 4.5 | 3,000 | .329 | .140 | .118 | .130 | .034 | .070 | .160 | - |
| NMP8J | 4 | 0.8 | 7.0 | 1,500 | .495 | .140 | .118 | .250 | .036 | .070 | .160 | - |
| NMP12J | 4 | 1.0 | 12.0 | 1,500 | .495 | .140 | .118 | .250 | .036 | .087 | .125 | - |
| NMP3M | 5 | 0.6 | 2.5 | 4,000 | .240 | - | .118 | - | - | - | .125 | - |
| NMP5M | 5 | 0.6 | 4.5 | 3,000 | .329 | - | .118 | - | - | - | .160 | - |
| NMP8M | 5 | 0.8 | 7.0 | 1,500 | .495 | - | .118 | - | - | - | .230 | - |

NOTE: For diameter and length dimensions on figures 2-5, see figure 1.