

1

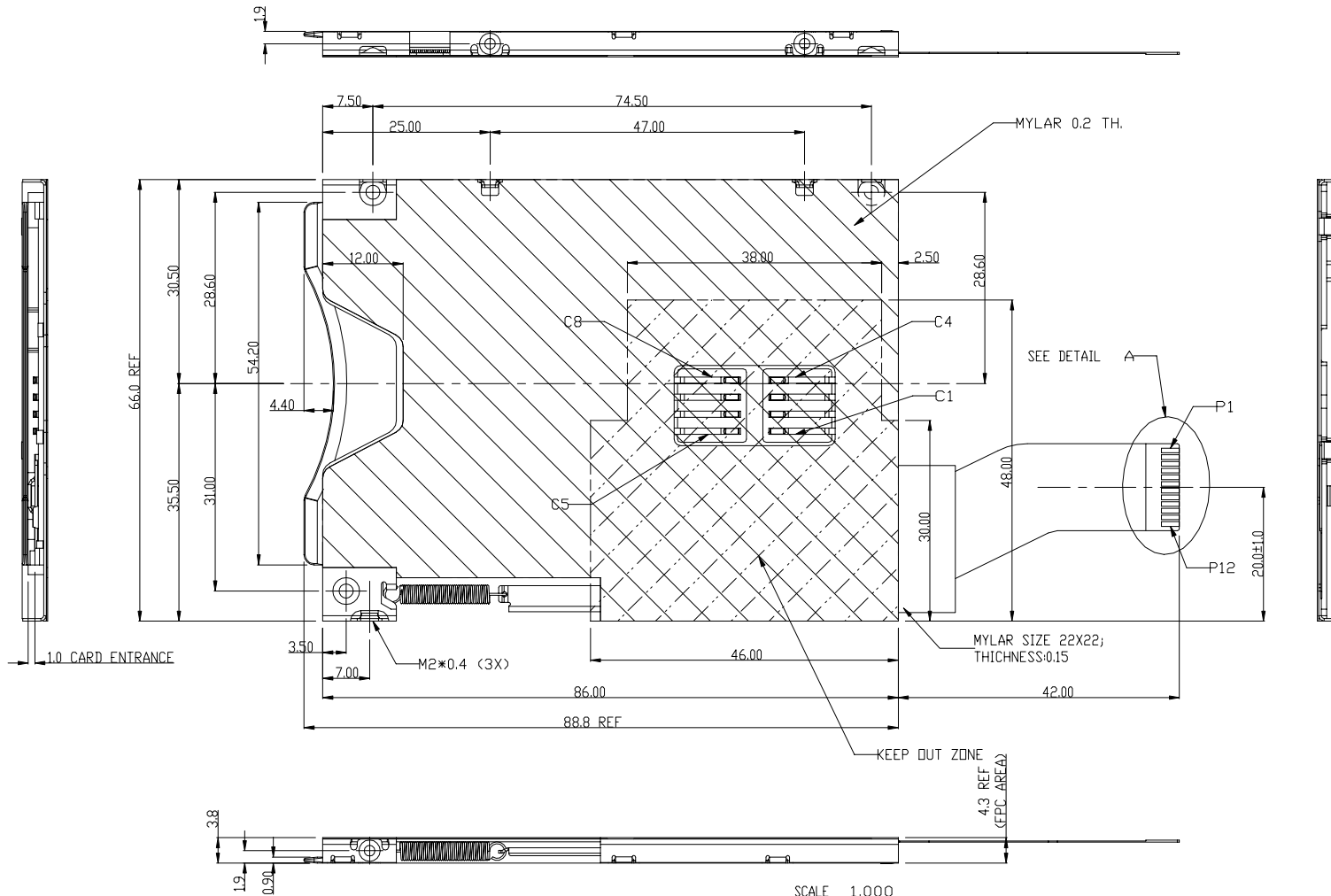
2

3

4

PRODUCT NO
10026297-001(LF)

Tous droits strictement reserves. Reproduction ou communication a des tiers interdite sous quelque forme que ce soit sans autorisation écrite du propriétaire. Propriete de c FCI. Droits de reproduction FCI.



SMART CARD	FPC	FUNC.
C4	P1	RFU
C3	P2	Clock
C2	P3	Reset
C1	P4	Vcc
SENSOR 1	P5	SENSOR
	P6	Reserved
SENSOR 2	P7	SENSOR
C5	P8	Gnd
C6	P9	Vpp
C7	P10	I/O
C8	P11	RFU
	P12	Reserved

All rights strictly reserved. Reproduction or issue to third parties in any form whatever is not permitted without written authority from the proprietor. Property of FCI. Copyright FCI.

1

2

PDM: Rev:H

STATUS:Released

4 Printed: Sep 25, 2007



www.fciconnect.com

tolerance
~10±0.3
10~100±0.5

projection
MM

MM

Dr	KENNY TAI	03/21/'03	Product family	size	A4	Scale	0.500
Eng	KENNY TAI	03/21/'03	Spec ref	ECN	N07-0108		
Chr	KENNY TAI	03/21/'03	Material				
Appr	PAUL WANG	03/21/'03					
title SMARTPLUS B ASSY				dwg no 10026297		Rev. H	
catalog no				CUSTOMER		sheet 1 of 4	

A

B

C

D

1

2

3

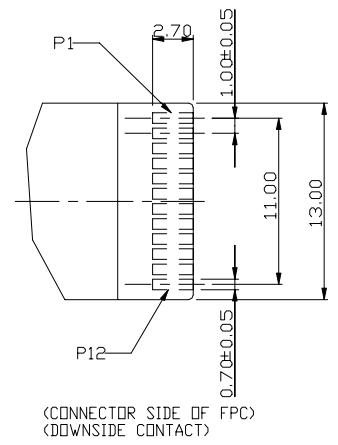
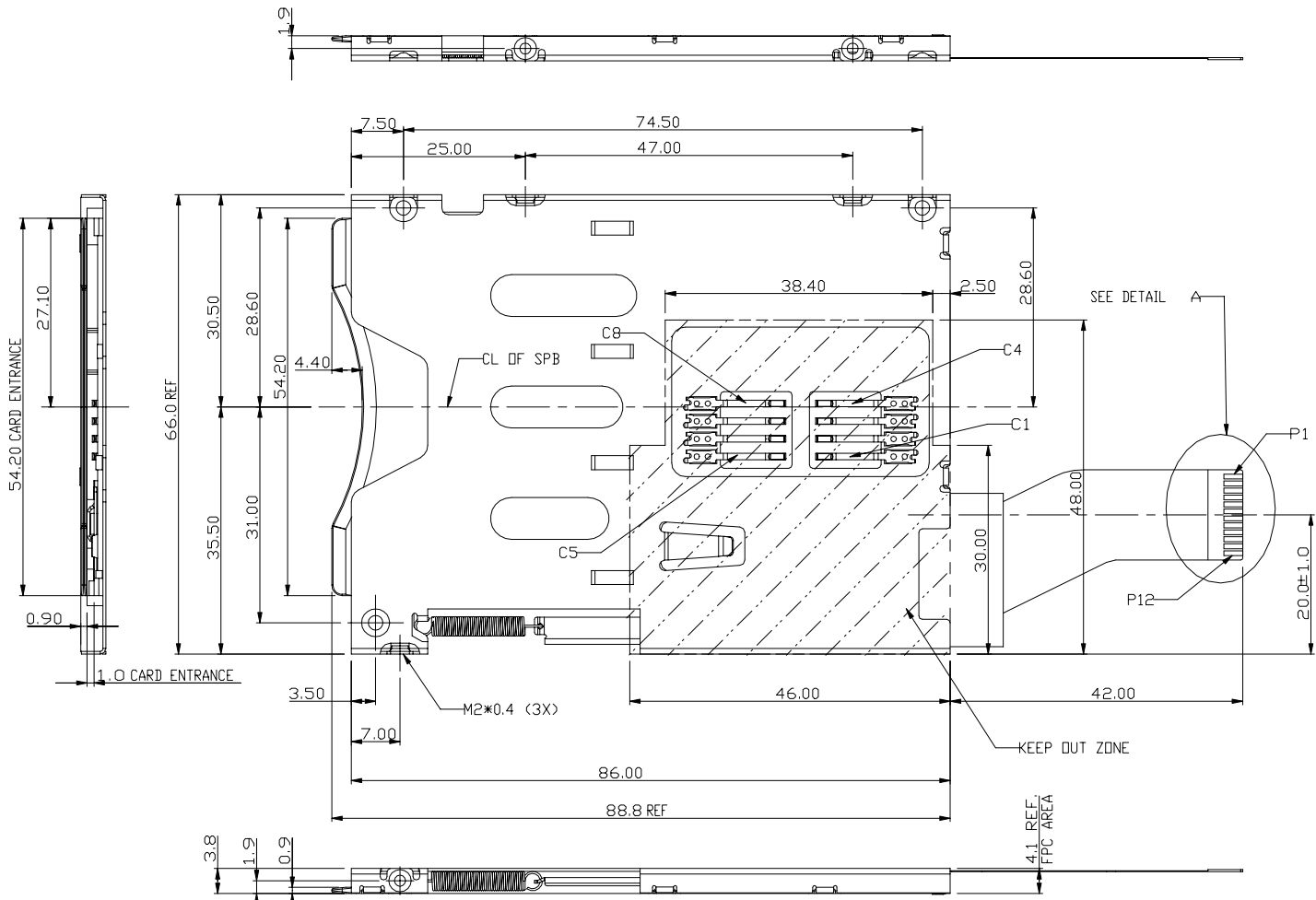
4

PRODUCT NO
10026297-002(LF)

Tous droits strictement reserves. Reproduction ou communication a des tiers interdite sous quelque forme que ce soit sans autorisation écrite du propriétaire. Propriete de c FCI. Droits de reproduction FCI.

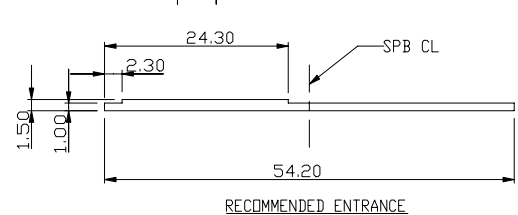


All rights strictly reserved. Reproduction or issue to third parties in any form whatever is not permitted without written authority from the proprietor. Property of FCI. Copyright FCI.



DETAIL A
SCALE 2.000

SMART CARD	FPC	FUNC.
C4	P1	RFU
C3	P2	Clock
C2	P3	Reset
C1	P4	Vcc
SENSOR 1	P5	SENSOR
	P6	Reversed
SENSOR 2	P7	SENSOR
C5	P8	Gnd
C6	P9	Vpp
C7	P10	I/O
C8	P11	RFU
	P12	Reversed



SCALE 1.000

NOTE: -002(LF) IS SAME AS -001(LF) EXCEPT NO TOP MYLAR.

		www.fciconnect.com		tolerance ~10±0.3 10~100±0.5	projection 	MM
Dr	KENNY TAI	11/04/'03	Product family	size	A4	Scale 1.000
Eng	KENNY TAI	11/04/'03	Spec ref	ECN		
Chr	KENNY TAI	11/04/'03	Material			
Appr	PAUL WANG	11/04/'03				
title SMARTPLUS B ASSY				dwg no 10026297		Rev. H
catalog no				CUSTOMER		sheet 2 of 4

1

2

PDM: Rev:H

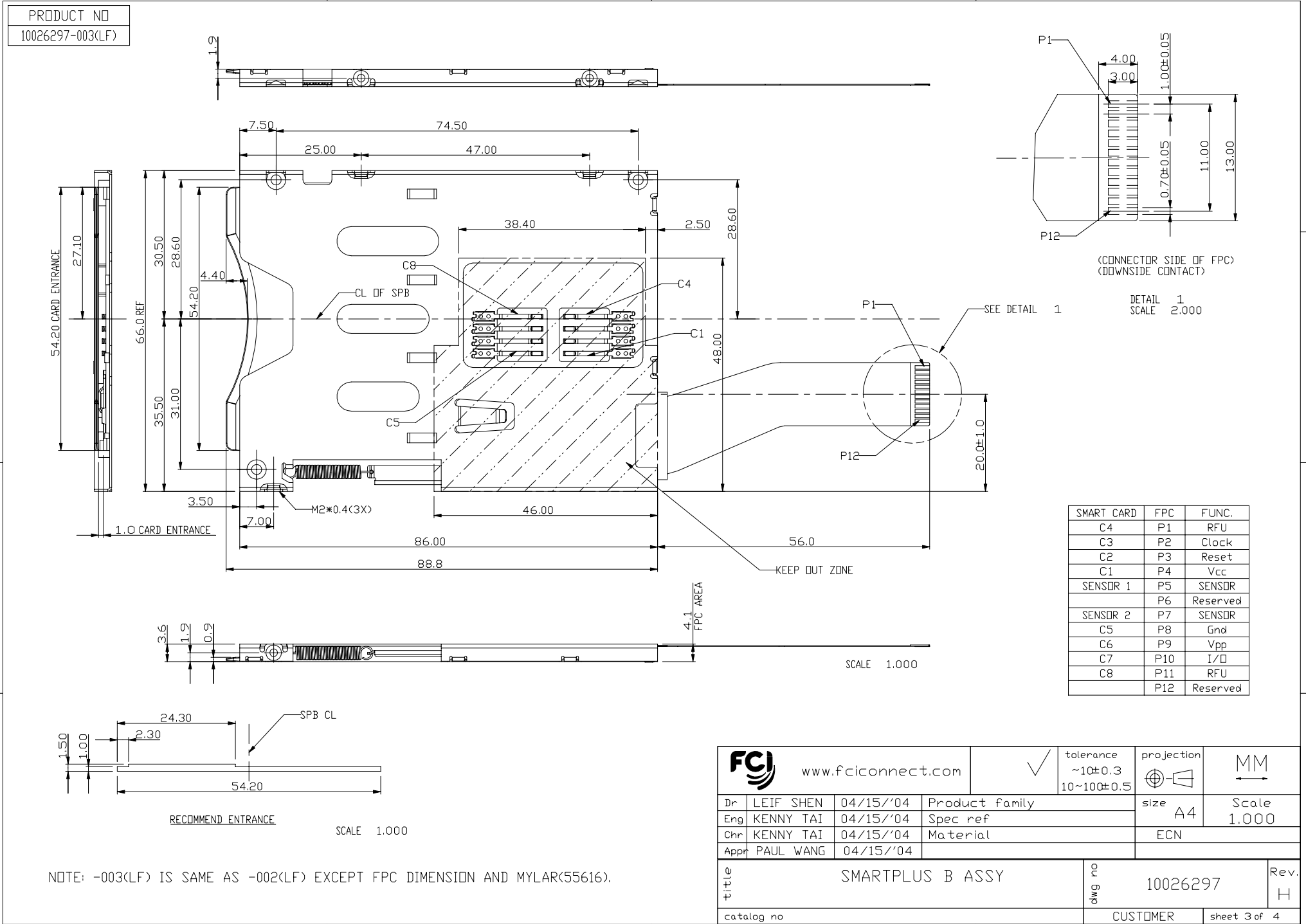
STATUS: Released

4 Printed: Sep 25, 2007

Tous droits strictement réservés. Reproduction ou communication à des tiers interdite sous quelque forme que ce soit sans autorisation écrite du propriétaire. Propriété de c FCI. Droits de reproduction FCI.



All rights strictly reserved. Reproduction or issue to third parties in any form whatever is not permitted without written authority from the proprietor. Property of FCI. Copyright FCI.



1

2

3

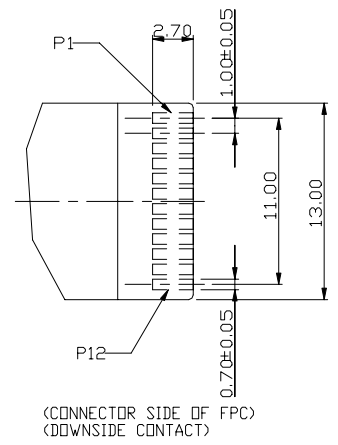
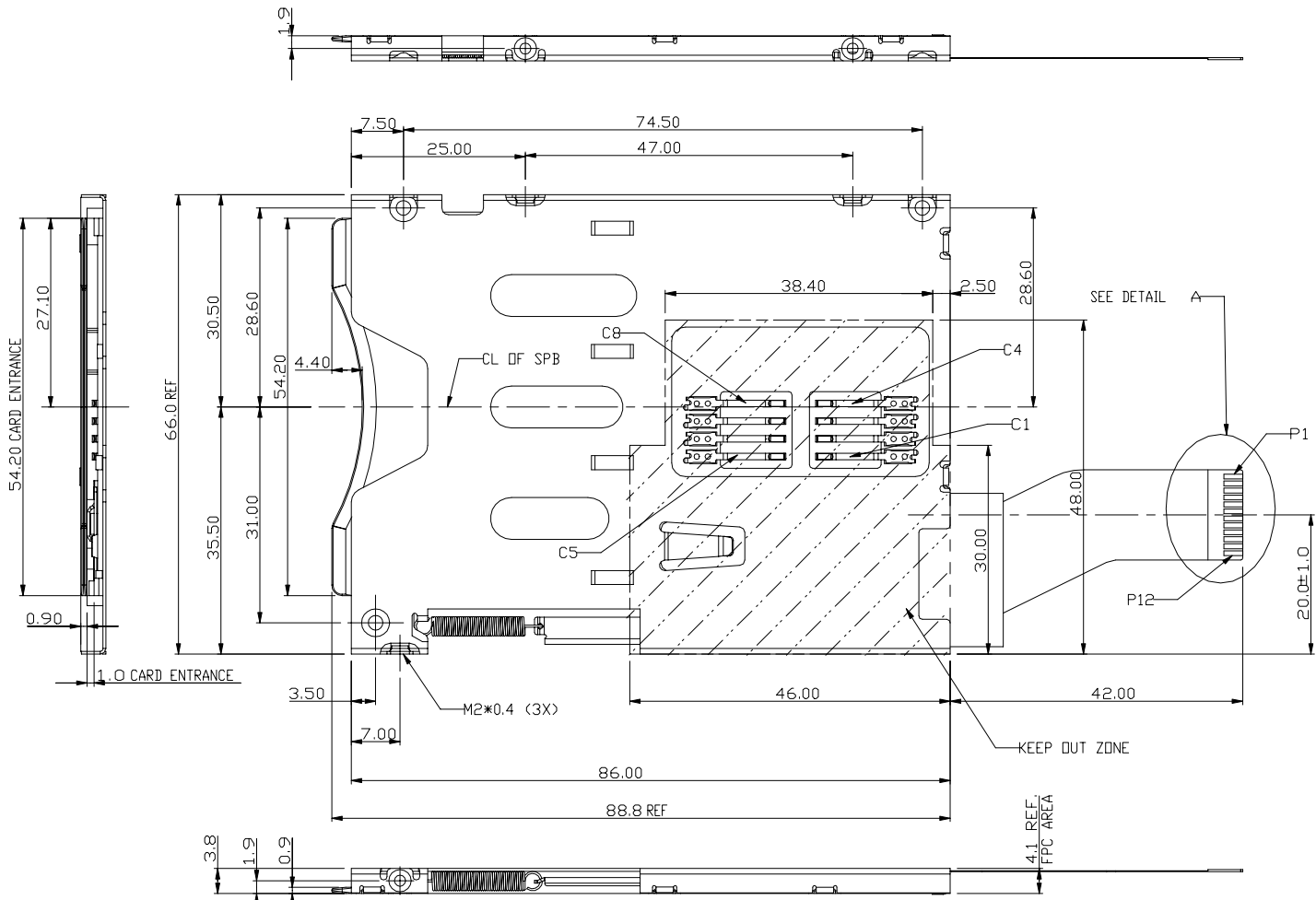
4

PRODUCT NO
10026297-004(LF)

Tous droits strictement reserves. Reproduction ou communication a des tiers interdite sous quelque forme que ce soit sans autorisation écrite du propriétaire. Propriete de c FCI. Droits de reproduction FCI.

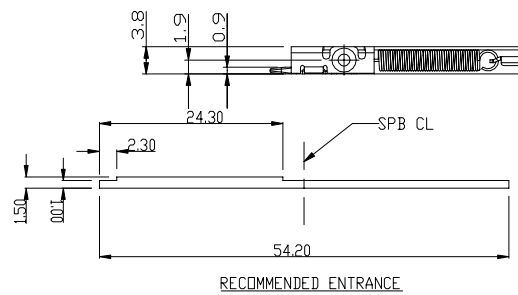


All rights strictly reserved. Reproduction or issue to third parties in any form whatever is not permitted without written authority from the proprietor. Property of FCI. Copyright FCI.



DETAIL A
SCALE 2.000

SMART CARD	FPC	FUNC.
C4	P1	RFU
C3	P2	Clock
C2	P3	Reset
C1	P4	Vcc
SENSOR 1	P5	SENSOR
	P6	Reversed
SENSOR 2	P7	Gnd
C5	P8	Gnd
C6	P9	Vpp
C7	P10	I/O
C8	P11	RFU
	P12	Reversed



SCALE 1.000

NOTE: -004(LF) IS SAME AS -002(LF) EXCEPT FOR SOLDER PAD LAYOUT OF PCB.

		www.fciconnect.com		tolerance ~10±0.3 10~100±0.5	projection 	MM
Dr	KENNY TAI	11/04/'03	Product family	size	A4	Scale 1.000
Eng	KENNY TAI	11/04/'03	Spec ref	ECN		
Chr	KENNY TAI	11/04/'03	Material			
Appr	PAUL WANG	11/04/'03				
title SMARTPLUS B ASSY				dwg no 10026297		Rev. H
catalog no				CUSTOMER		sheet 4 of 4

1

2

PDM: Rev:H

STATUS: Released

4 Printed: Sep 25, 2007